

# STARTER HANDLE

## with NYLON CORD

**CAUTION:**  
**Disconnect spark plug wire before working on mower.**

### How to install :

1. Measure old rope. Cut new rope to same length. Allow an additional 6" of rope for knotting.
2. Thread rope through handle grip and insert, tying knot at end. Heat-seal knot to prevent loosening. Pull knot until seated tightly into insert. Push insert into handle (Fig. A).
3. Remove recoil housing. Rewind starting spring counterclockwise until tight, then loosen one turn. Install rope (Fig. B). While holding the starter handle taugt, allow the rewind pulley to slowly wind in the starter rope. Reassemble starter unit.
4. Reconnect spark plug wire.

**TOOL REQUIRED:**  
**HERRAMIENTA REQUERIDA:**



Box wrench  
Llave estriada



Pliers  
Pinzas



Knife  
Cuchillo

Fig. A

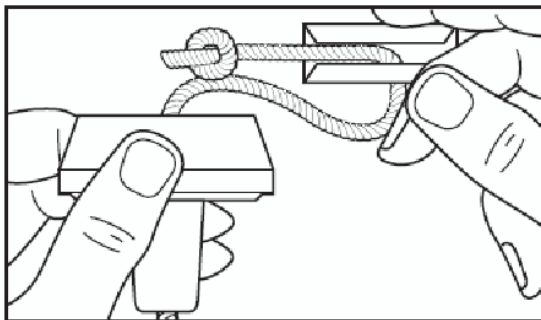


Fig. B

