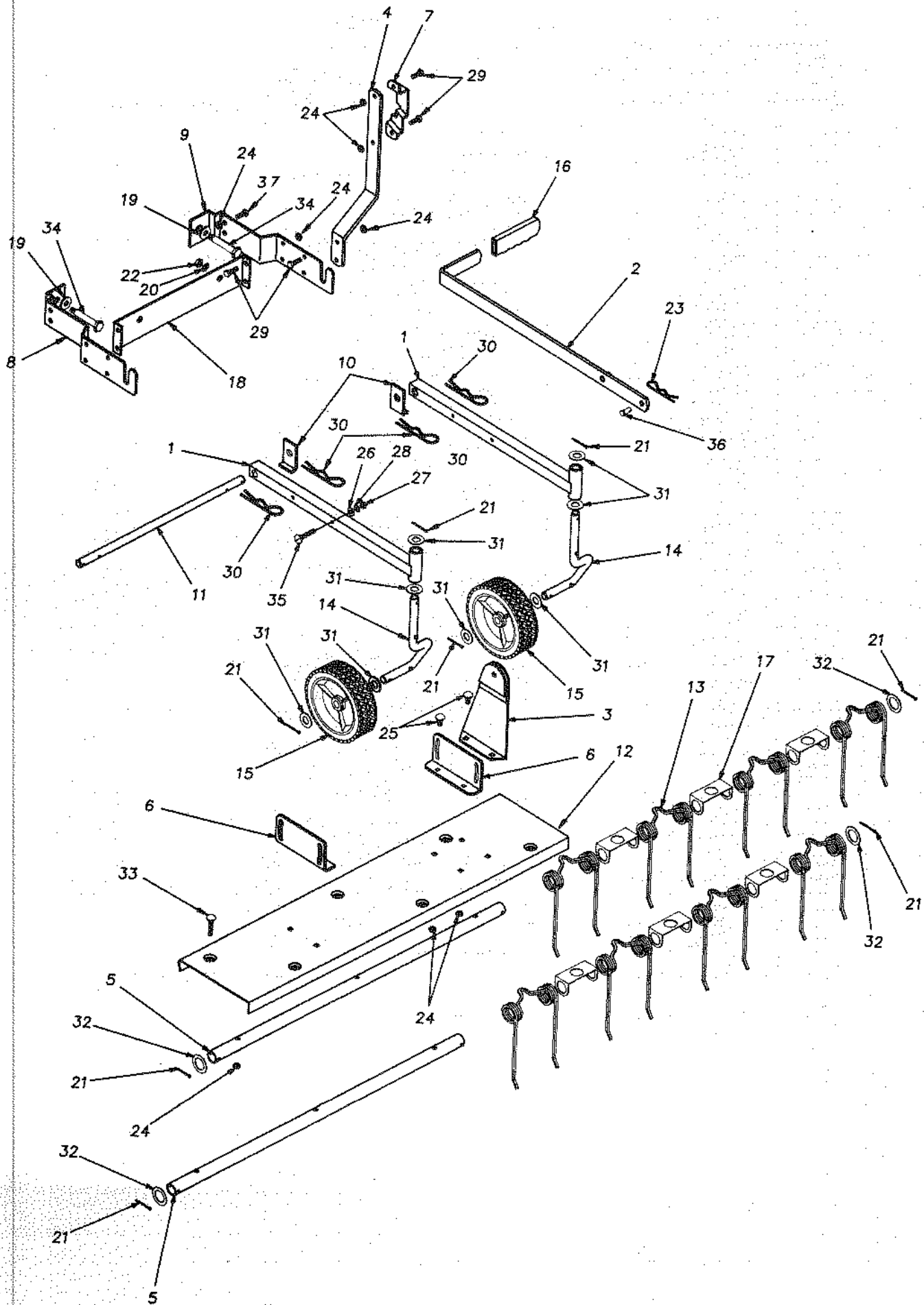


REPAIR PARTS FOR MODEL 43-0204 — 30" TINE DE-THATCHER



PARTS LIST FOR TINE DE-THATCHER MODEL 43-0204

Ref. No.	Part No.	Quan.	Description
1	62599	2	Ass'y. Mounting Arm
2	62600	1	Ass'y. Lift Handle
3	62601	1	Ass'y. Lift Handle Bracket
4	23674	1	Arm, Lift Handle
5	23680	2	Tube, Spring Mounting
6	23666	2	Bracket, Angle Mounting
7	23673	1	Bracket, Handle Lock
8	23692	1	Bracket, Hitch R.H.
9	23691	1	Bracket, Hitch L.H.
10	23676	2	Keeper, Plate
11	23677	1	Shaft, Mounting
12	23679	1	Shield, Spring Mounting
13	43783	8	Spring, De-Thatcher
14	44148	2	Axle
15	44238	2	Wheel, Cream
16	43943	1	Grip, Lift Handle
17	44207	6	Bracket, Spring
18	23688	1	Bracket, Weight Mount
19	43352	2	Washer, 7/16" Flat
20	43003	2	Lock Washer, 3/8" I.D.*
21	43010	8	Pin, Cotter 1/8" x 1-1/4"
22	43015	2	Nut, 3/8"-16
23	43055	1	Hairpin Cotter 3/32"
24	43064	24	Nut, Hex Lock 5/16"-18 Thd.
25	43080	6	Bolt, Carriage 5/16"-18 x 3/4" Lg.*
26	43081	4	Washer, Flat 5/16" Std.*
27	43083	4	Nut, Hex 5/16"-18 Thd.*
28	43086	4	Washer, Lock 5/16" Std.*
29	43182	8	Bolt, Hex 5/16"-18 x 3/4" Lg.*
30	43343	4	Hairpin, Cotter 1/8"
31	R19212113	8	Washer, Pivot 21/32"
32	43601	4	Washer, Flat 16 ga. 1.06 I.D. x 1.6 O.D.
33	43681	6	Bolt, Carriage 5/16"-18 x 1-1/2" Lg.*
34	44257	2	Bolt, Shoulder 3/8"-16 x 1/2"
35	44215	4	Bolt, Carriage 5/16"-18 x 1-3/4" Lg.*
36	44044	1	Pin, Clevis 3/8" dia. x 3/4" Lg.
37	44283	4	Bolt, Thread Cutting 5/16-18 x 1" Lg.
	44246	1	Owners Manual

*Purchase common hardware locally.