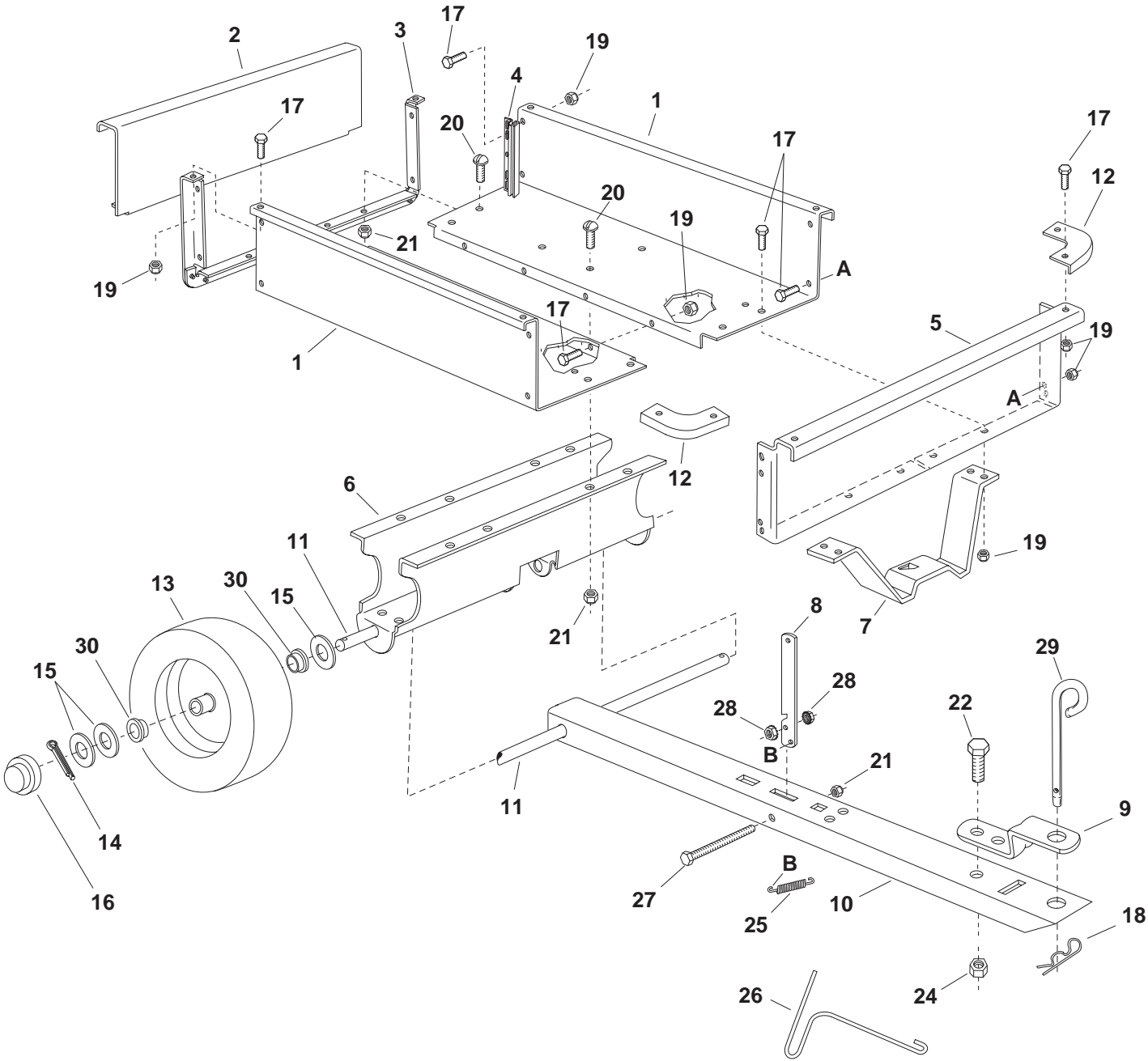


# REPAIR PARTS FOR UTILITY CARTS MODEL NO'S. 45-02402 & 190-425C-100



**REPAIR PARTS LIST FOR UTILITY CARTS  
MODEL NO'S. 45-02402 & 190-425C-100**

REF. NO.	PART NO.	QTY.	DESCRIPTION
1	24096	1	Cart Body
2	23504	1	Tailgate
3	62457	1	Tailgate Reinforcement Bracket
4	23548	2	Tailgate Guide
5	23490	1	Front Panel
6	23487	1	Wheel Support
7	24497	1	Latch Stand Bracket
8	24498	1	Latch Lock Lever
9	23014	1	Hitch Bracket
10	24750	1	Draw Bar Tongue
11	24897	1	Axle, 1" Dia.
12	23484	2	Front Corner Cap
13	41483	2	Wheel
14	43093	2	Cotter Pin, 1/8" Dia. x 1-1/2" *
15	43601	6	Washer, Flat 1" *
16	43014	2	Hub Cap
17	43012	23	Hex Bolt, 1/4-20 x 3/4" *
18	43343	1	Hair Cotter Pin, 1/8 (#4) *
19	47189	23	Nylock Nut, 1/4-20
20	43814	12	Truss Hd. Bolt, 5/16-18 x 3/4" Lg. *
21	47810	13	Nylock Nut, 5/16-18
22	43001	1	Hex Bolt, 3/8-16 x 1" Lg. *
24	HA21362	1	Nylock Nut, 3/8-16 *
25	47408	1	Extension Spring
26	47622	1	Spring Puller Tool
27	47407	1	Hex Bolt, 5/16-18 x 4" *
28	46980	2	Hex Nut, 5/16-18 (SEMS)
29	23353	1	Hitch Pin
30	41485	4	Wheel Bearing
	42394	1	Owner's Manual

\* Purchase Common Hardware Locally