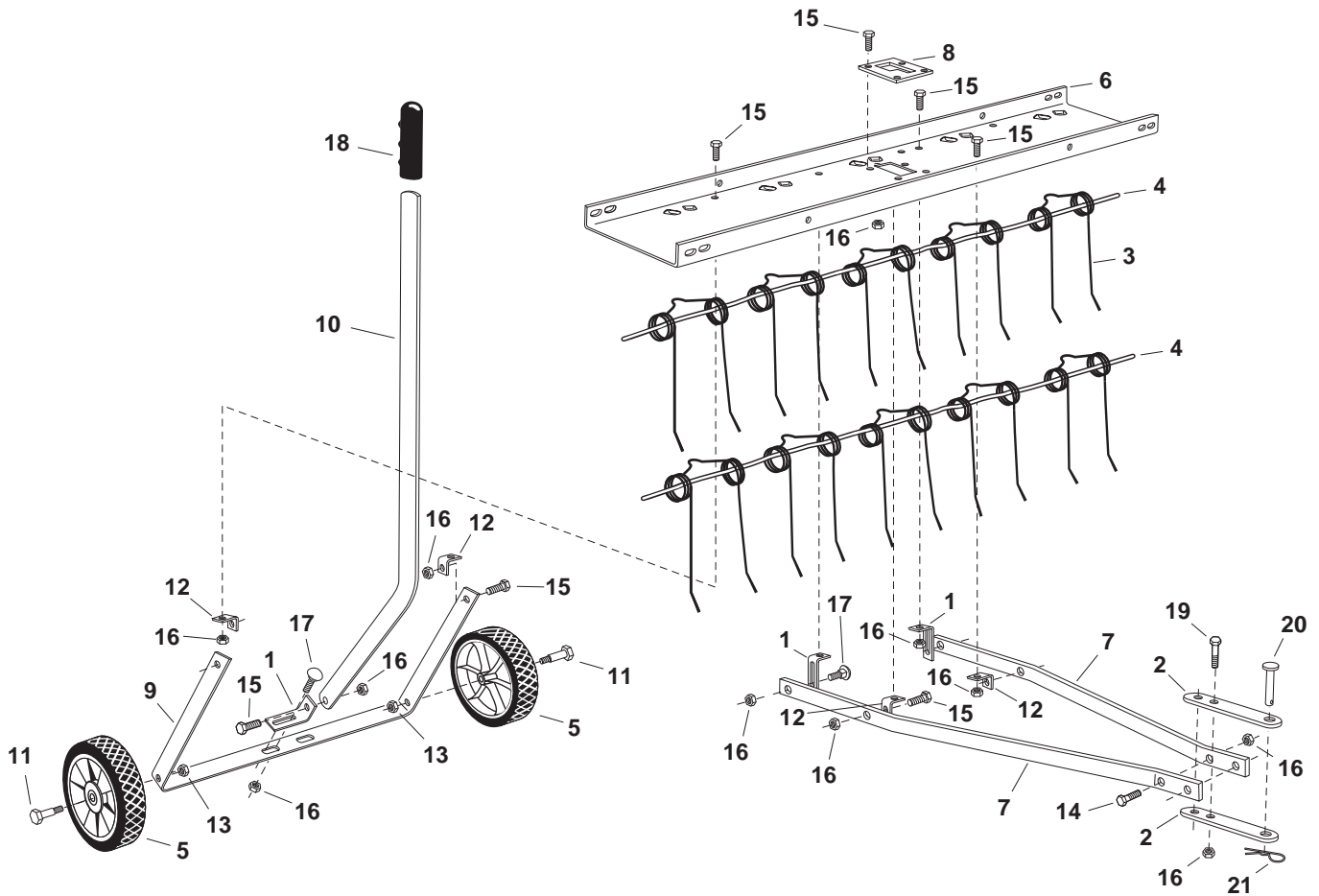


TINE DE-THATCHER REPAIR PARTS

MODEL NO's. 45-02941 (40") & 45-02951 (48")



REF. NO.	PART NO.	QTY.		DESCRIPTION	REF. NO.	PART NO.	QTY.		DESCRIPTION
		40"	48"				40"	48"	
1	23442	3	3	Hitch Arm Mount Bracket	13	HA21362	2	2	Nylock Nut, 3/8-16
2	23981	2	2	Hitch Bracket	14	43840	2	2	Hex Bolt, 5/16-18 x 1-1/4"
3	43783	10	12	Spring Tine	15	43063	15	15	Hex Bolt, 5/16" x 1"
4	47633	2	-	Spring Alignment Wire	16	47810	23	23	Hex Nylock Nut, 5/16-18
	47654	-	2	Spring Alignment Wire	17	44326	4	4	Carriage Bolt, 5/16" x 1"
5	43021	2	2	Wheel	18	43943	1	1	Handle Grip
6	24836	1	-	Tine Shield (40")	19	44180	2	2	Hex Bolt, 5/16-18 x 2"
	24854	-	1	Tine Shield (48")	20	47623	1	1	Hitch Pin, 3/8" (Flat Head)
7	23914	2	2	Hitch Mount Arm	21	43343	1	1	Hair Cotter Pin, 1/8"
8	24594	1	1	Lift Plate		48290	1	1	Owner's Manual
9	24595	1	1	Axle Bracket					
10	24596	1	1	Lift Handle					
11	43029	2	2	Shoulder Bolt					
12	23826	4	4	Angle Bracket					

* Purchase Common Hardware Locally