

SWLSHER

**OWNER'S
MANUAL
MODEL NO.**

STARTING SERIAL # L212-027001

ST60022

ST60022-CA

ST65022DLX

ST65022DLX-CA

ST60022Q

ST60022Q-CA8

ST65022DXQ

ST65022DXQ-CA

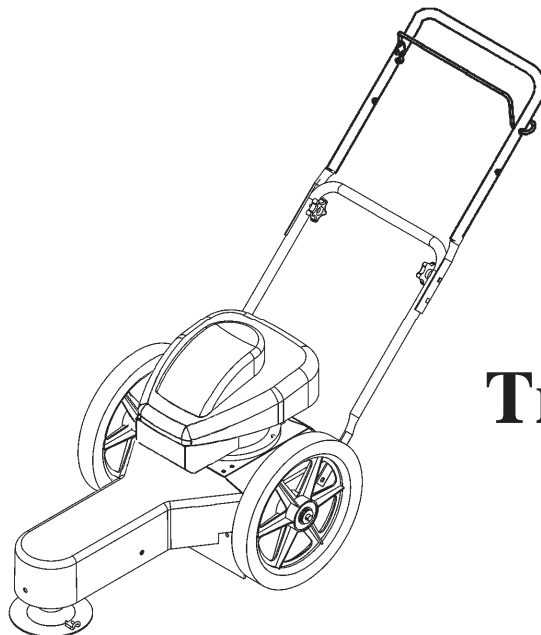
ST67522Q

ST67522Q-CA



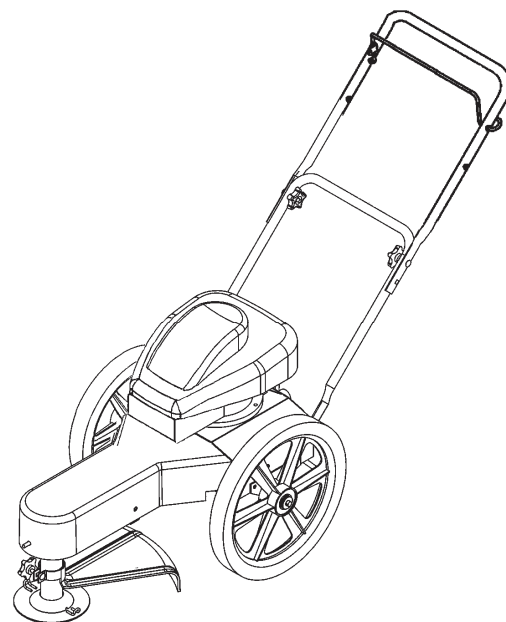
IMPORTANT

Read and follow all
Safety Precautions
and Instructions
before operating this
equipment.



Trim-N-Mow

Trim-Max

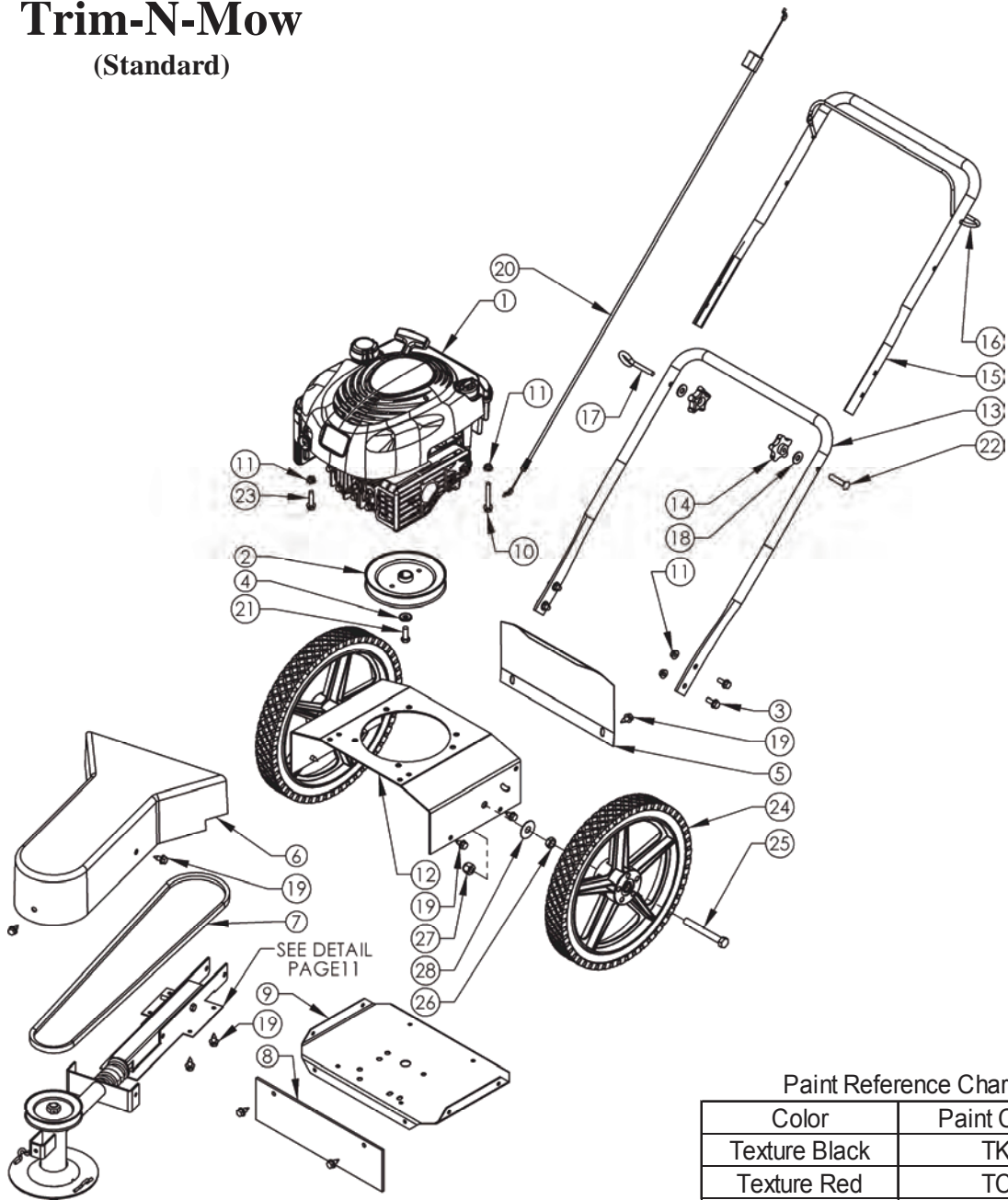


**Assembly
Operation
Service and Adjustment
Repair Parts**

SWLSHER

Trim-N-Mow

(Standard)



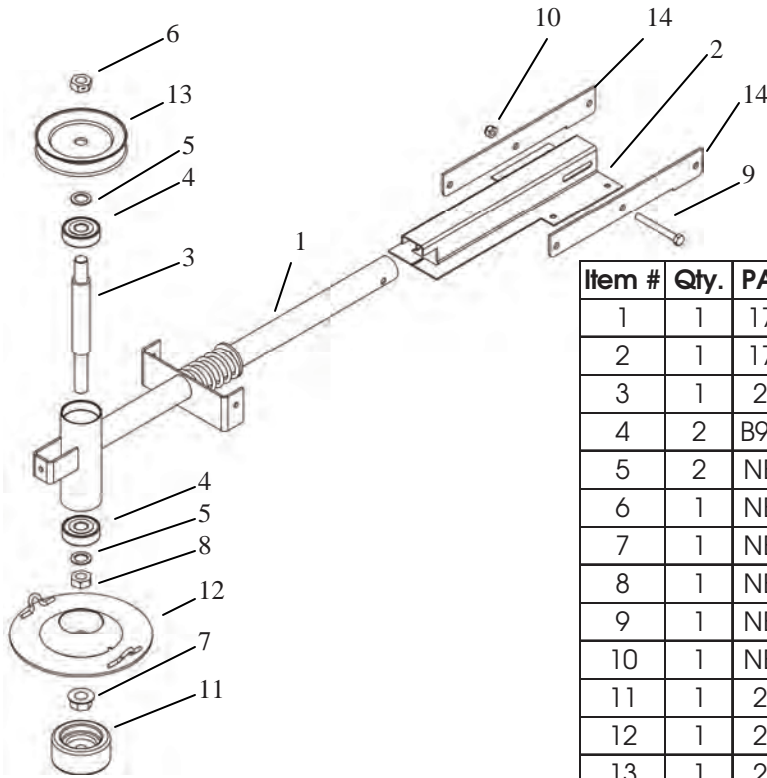
Paint Reference Chart

Color	Paint Code
Texture Black	TK
Texture Red	TC

Item #	Description	Part #
1	Briggs & Stratton Engine	N/A
2	Pulley - Engine; Trimmer	2063
3	5/16-18 X 3/4 Serr Flg Bolt	NB596
4	SP Washer Bellvile	NB607
5	Rear Cover	2026
6	Belt Guard	2019
7	Blade Belt	2113
8	Rubber Shield	2027
9	Lower Motor Base	2006
10	5/16-18 X 1 1/4 Flange Bolt	NB253
11	5/16-18 Serrated Flange Nut	NB170
12	Upper Motor Base	2005
13	Lower Handle	10399TK
14	Black Plastic Knob	2030

Item #	Description	Part #
15	Upper Handle	10578TK
16	Operator Presence Bail	10397
17	Eyebolt - 3/8-16 X 2 ZY	NB204
18	Washer	NB275
19	5/16-18 x 3/4 Self Tapping Screw	26X249
20	Operator Presence Cable	2034B
21	3/8-24 X 1 Engine Bolt Locktite	NB238N
22	5/16-18 X 2 Carriage Bolt	NB587
23	5/16-18 X 2 1/4 Flange Bolt	NB622
24	14" Wheel	2002K
25	Bolt - 1/2-13 X 4 HCC GR5 ZY	NB132
26	Nut - Jam, 1/2-13 ZY Gr 2	NB118
27	Nut - Nyloc 1/2-13 ZY Standard Pattern	NB281
28	Washer - .531IDX1 1/2ODX.062(Ht Trtd)ZY	TR150W

Trimmer Head Assembly for Trim-N-Mow



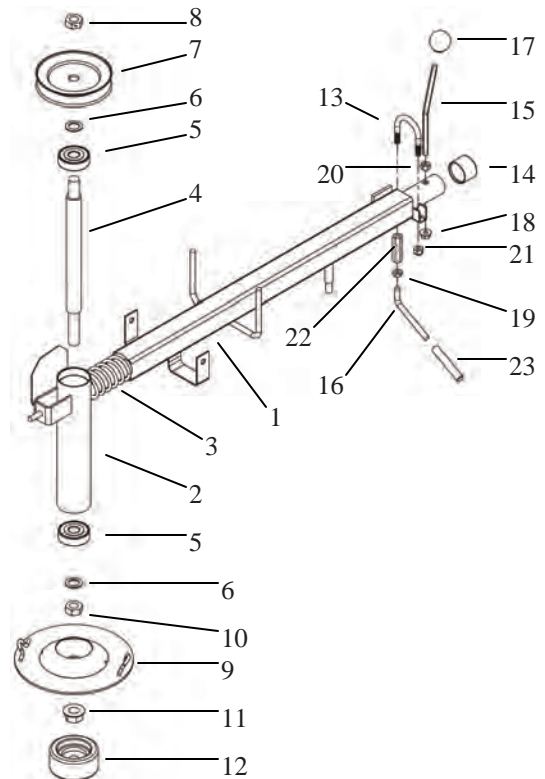
Paint Reference Chart

Color	Paint Code
Texture Black	TK
Texture Red	TC

Item #	Qty.	PART #	Description
1	1	17665	Trimmer Head - Assembly (Std)
2	1	17651	Slide - Weldment
3	1	2024	Shaft - Spinner Standard
4	2	B985/8	Bearing - Sealed with 20mm Bore
5	2	NB149	Washer - 5/8 ID X 1 OD 14 Ga
6	1	NB595	Nut - 2 Way Locking Jam 5/8-11
7	1	NB598	Nut - Serr Flange, 5/8-11 Grade 2
8	1	NB586	Nut - Hex Jam 5/8-11
9	1	NB106	Bolt - 5/16"-18 X 2 3/4 Grade 5
10	1	NB181	Nut - Nyloc 5/16-18
11	1	2035	Roller - Threaded
12	1	2021	Disc - Trimmer Spinner Weldment
13	1	2049	Pulley - Blade 4.5"
14	2	15748	Head Brace - String Trimmer

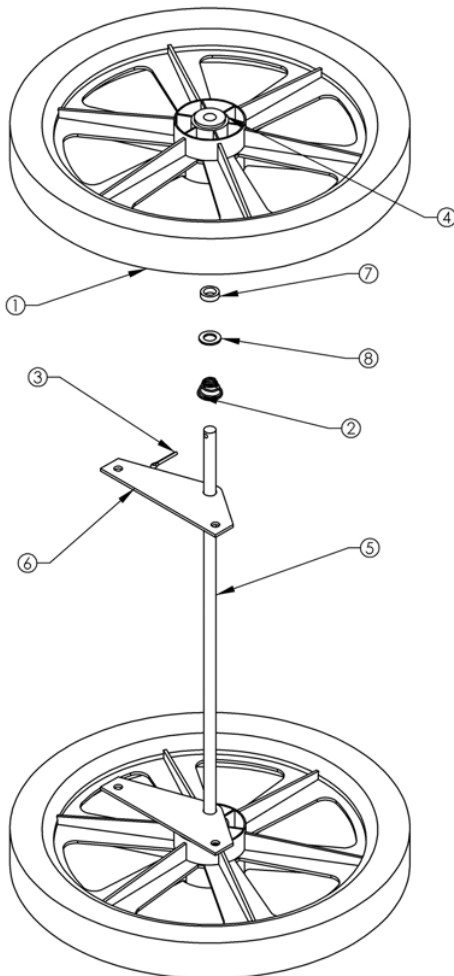
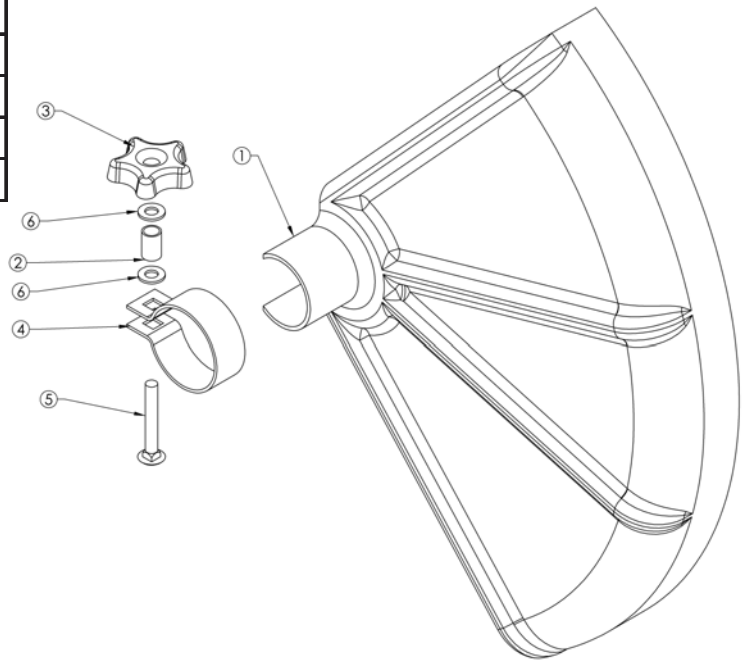
Trimmer Head Assembly for Trim-Max

Item #	Qty.	Part #	Description
1	1	2107	Slide - Weldment, DLX Trimmer
2	1	2110	Head - Weldment DLX Punched
3	1	2033	Spring - Compression
4	1	2124	Shaft - Spinner Deluxe
5	2	B985/8	Bearing - Sealed with 20mm Bore
6	2	NB149	Washer - 5/8 ID X 1 OD 14 Ga
7	1	2049	Pulley - Blade 4.5"
8	1	NB595	Nut - 2 Way Locking Jam 5/8-11
9	1	2021	Disc - Trimmer Spinner Weldment
10	1	NB586	Nut - Hex Jam 5/8-11
11	1	NB598	Nut - Serr Flange, 5/8-11 Grade 2
12	1	2035	Roller - Threaded
13	1	2075	U-Bolt - Tilt Clamp
14	1	2068	Cap - Plastic 1-1/4"
15	1	2103A	Handle - Pivot
16	1	2083	Handle - Bent
17	1	B19BLACK	Knob
18	1	NB170	Nut - Serrated Flange 5/16-18
19	1	NB173	Nut - Jam 5/16-18
20	1	NB210Z	Nut - 5/16-18 Grade 2
21	1	NB181	Nut - Nyloc 5/16-18
22	1	NB594	Nut - Coupling 5/16 - 18 x 1 3/4
23	1	2078	Grip - Tilt Handle, Yellow



Service Part 2076 Parts Breakdown

Item #	Description	Part #
1	Shield	2042
2	Spacer	2084
3	Knob	2030
4	Clamp	2043
5	Bolt	NB110
6	Washer	NB275



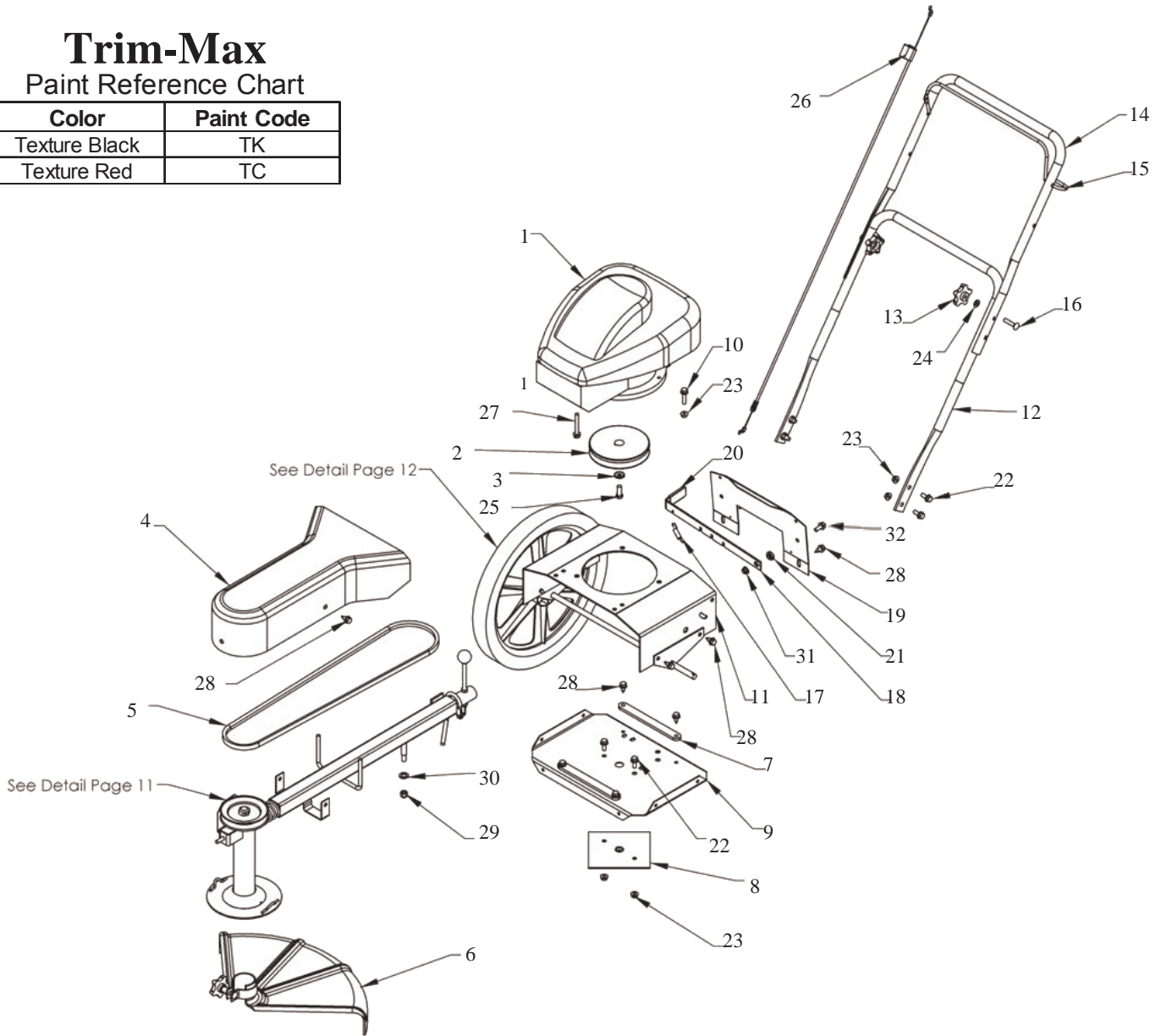
Axle Setup for Trim-Max

Item #	Description	Part #
1	16" Wheel	2003K
2	Conical Spring	10004
3	Cotter Pin	NB126
4	Wheel Bearing	18818
5	Axle	14416
6	Axle Plate	2106
7	Spring Retainer	T2PB
8	Washer	NB177

Trim-Max

Paint Reference Chart

Color	Paint Code
Texture Black	TK
Texture Red	TC



Item #	Description	Part #	Item #	Description	Part #
1	Briggs & Stratton Engine	N/A	17	Spring	2069
2	Pulley - Engine; Trimmer	2063	18	Pivot Stop	2040
3	SP Washer Bellville	NB607	19	Rear Cover	2126
4	Belt Guard	2119	20	Handle Grip, Pivot	2077
5	Blade Belt	2113	21	Spacer	B99S
6	Lower Shield Sub Assy.	2076	22	5/16-18 X 3/4 Serr Flng Bolt	NB596
7	Wear Strip	2116	23	5/16-18 Serrated Flange Nut	NB170
8	Pivot Plate Weldment	2073	24	Washer	NB275
9	Lower Motor Base	2006	25	3/8-24 X 1 Engine Bolt Locktite	NB238N
10	5/16-18 X 1 1/4 Flange Bolt	NB253	26	Operator Presence Cable	2034B
11	Upper Motor Base	2005	27	5/16-18 X 2 1/4 Serr Flg Bolt	NB622
12	Lower Handle	10399TK	28	5/16-18 X 1/2 Serr Flng Bolt	26x249
13	Black Plastic Knob	2030	29	3/8-16 Nyloc Nut	NB182
14	Upper Handle	10578TK	30	1/2-14 GA. Mach Washer	NB177
15	Operator Presence Bail	10397	31	Nut - Nyloc 5/16-18 ZY	NB181
16	5/16-18 X 1 1/2 Carriage Bolt	NB587	32	Bolt - 5/16-18 X 1 HCC GR5 ZY	NB501