

**SWLSHER**

# OWNER'S MANUAL

**MODEL NO.**

**ST60022Q**

START SERIAL # L305-042001

**ST65022Q**

START SERIAL # L305-042001

**ST65022DXQ**

START SERIAL # L305-039001

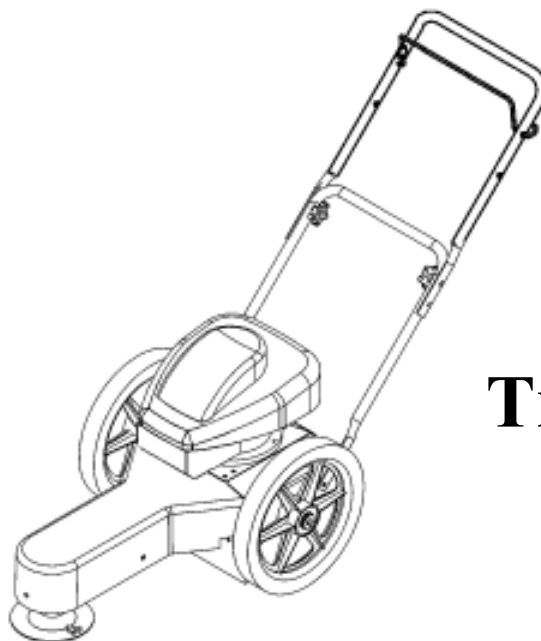
**ST6002212V**

START SERIAL # L305-109001

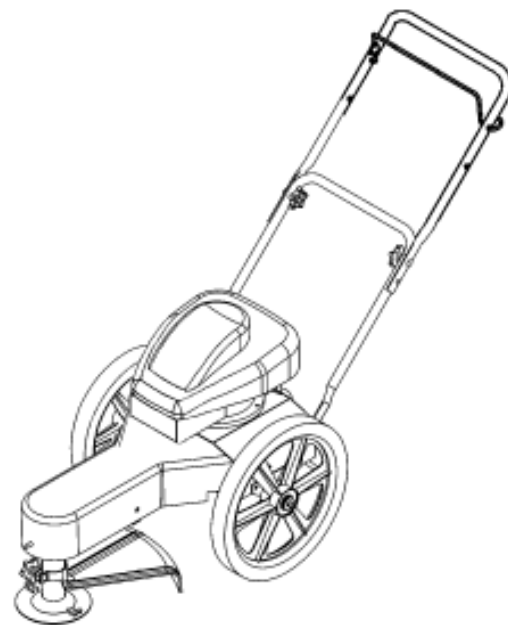


**IMPORTANT**  
Read and follow all  
Safety Precautions  
and Instructions  
before operating this  
equipment.

Rev 06-032



**Trim-N-Mow**

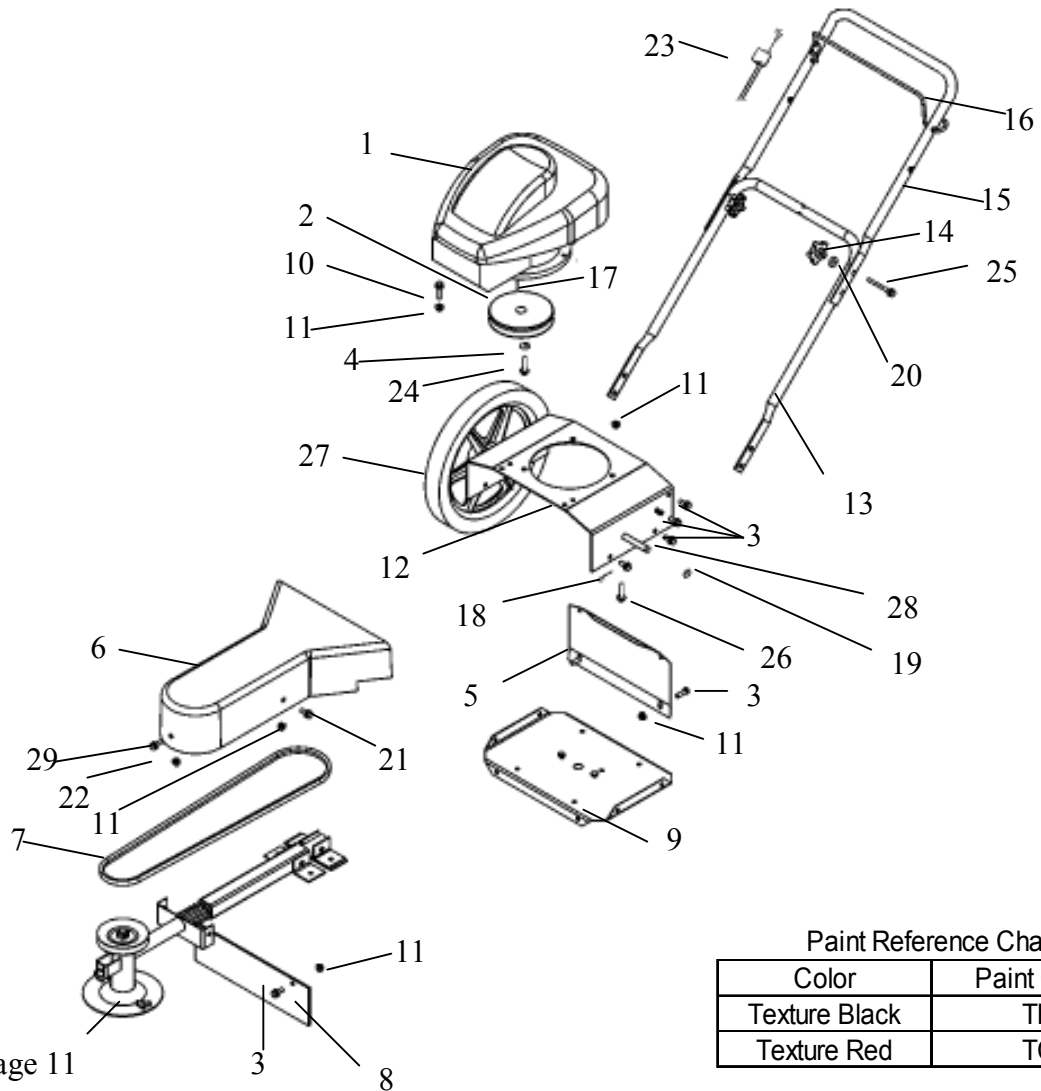


**Trim-Max**

**Assembly  
Operation  
Service and Adjustment  
Repair Parts**

**SWLSHER**

# Trim-N-Mow



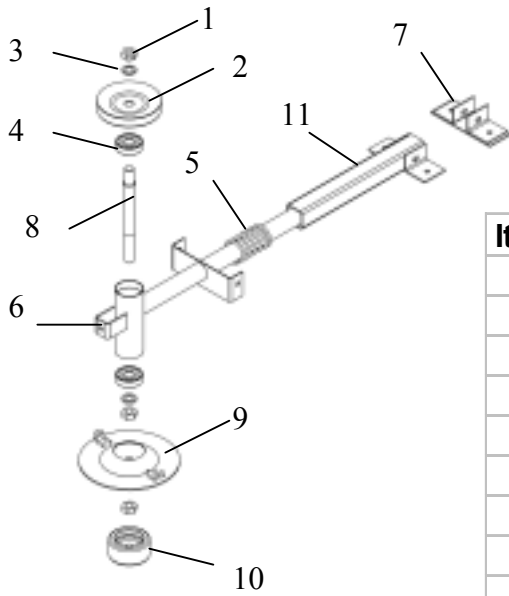
Paint Reference Chart

Color	Paint Code
Texture Black	TK
Texture Red	TC

Item #	Description	Part #
1	Briggs & Stratton Engine	N/A
2	Trimmer Pulley & Washer	2065
3	5/16-18 X 3/4 Serr Flg Bolt	NB596
4	SP Washer Bellvile	NB607
5	Rear Cover	2026
6	Belt Guard	2019
7	Blade Belt	2113
8	Rubber Shield	2027
9	Lower Motor Base	2006
10	5/16-18 X 1 1/4 Flange Bolt	NB253
11	5/16-18 Serrated Flange Nut	NB170
12	Upper Motor Base	2005
13	Lower Handle	10399TK
14	Black Plastic Knob	2030
15	Upper Handle	10578TK

Item #	Description	Part #
16	Operator Presence Bail	10397
17	3/16 X 1 Key Stock	9030
18	Cotter Pin	NB126
19	Conical Spring	10004
20	Washer	NB275
21	5/16-18 X 1/2 Bolt	NB252
22	5/16-18 Square Nut	NB449
23	Operator Presence Cable	2034B
24	3/8-24 X 1 Engine Bolt Locktite	NB238N
25	5/16-18 X 2 Carriage Bolt	NB587
26	5/16-18 X 2 1/4 Flange Bolt	NB622
27	14" Wheel	2002
28	Axle	2025
29	5/16-15 X 3/4 Bolt	NB596

## Trimmer Head Assembly for Standard



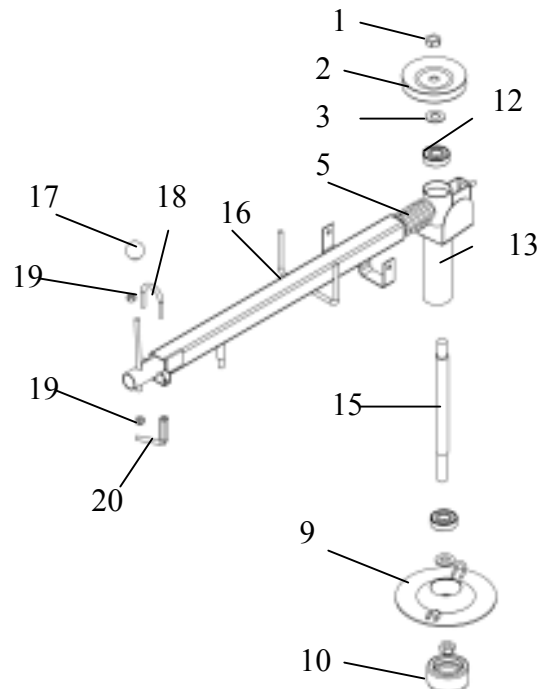
Item #	Description	Part #
1	5/8-11 2 Way Lock Jam Nut	NB595
2	Blade Pulley- 4.5"	2049
3	5/8 ID X 1 OD 14 GA Washer	NB149
4	Blade Bearing	B985/8
5	Compression Spring	2033
6	Head Weldment	2010
7	Std Trimmer Stabilizer Weldment	2032
8	Spinner Shaft	2024
9	Trimmer Spinner Disc Weldment	2021
10	Threaded Roller	2035
11	Trimmer Slide Weldment	2007

### Paint Reference Chart

Color	Paint Code
Texture Black	TK
Texture Red	TC

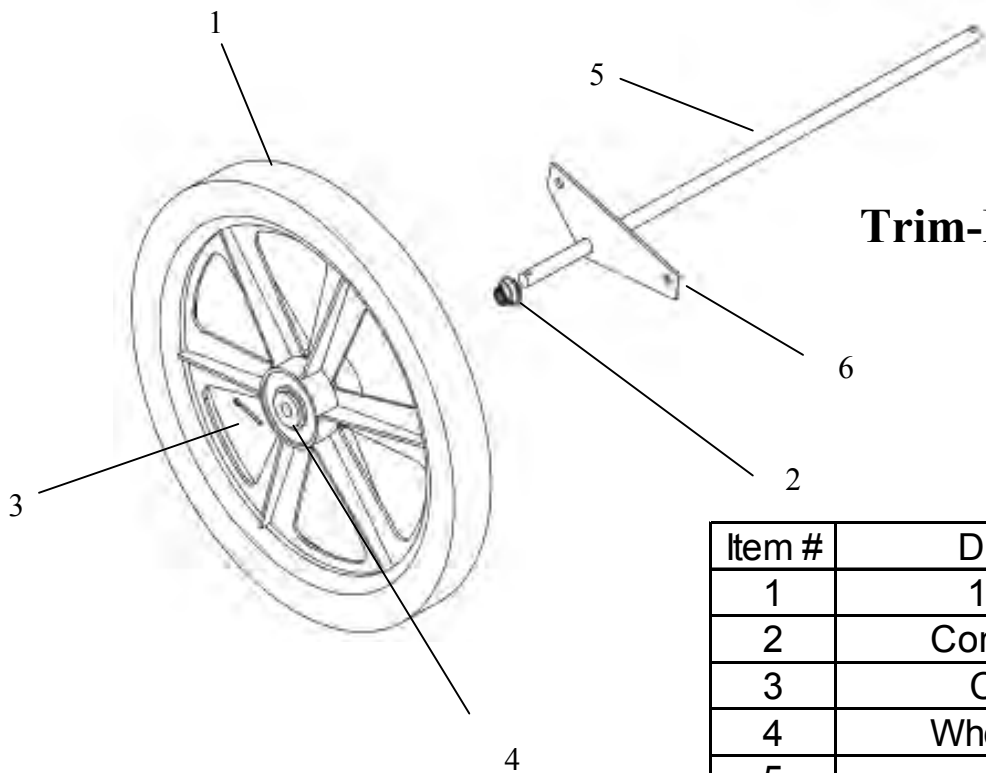
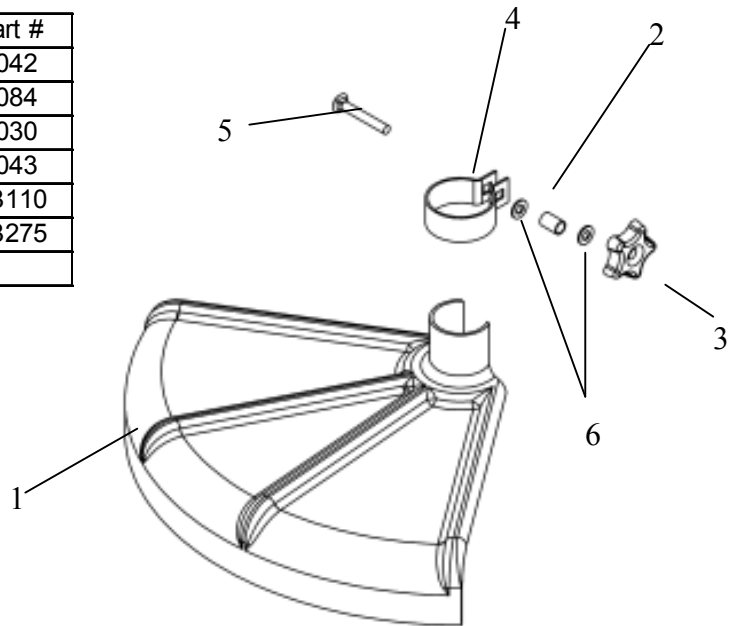
## Trimmer Head Assembly for Deluxe and 12V Deluxe

Item #	Description	Part #
12	Blade Bearing	B985/8
13	Head Weldment	2110
15	Spinner Shaft	2124
16	Trimmer Slide Weldment	2107
17	Knob - Yellow	2079
18	Tilt Clamp U Bolt	2075
19	5/16-18 Nyloc Nut	NB181
20	Handle Assembly	2080



## Service Part 2076 Parts Breakdown

Item #	Description	Part #
1	Shield	2042
2	Spacer	2084
3	Knob	2030
4	Clamp	2043
5	Bolt	NB110
6	Washer	NB275



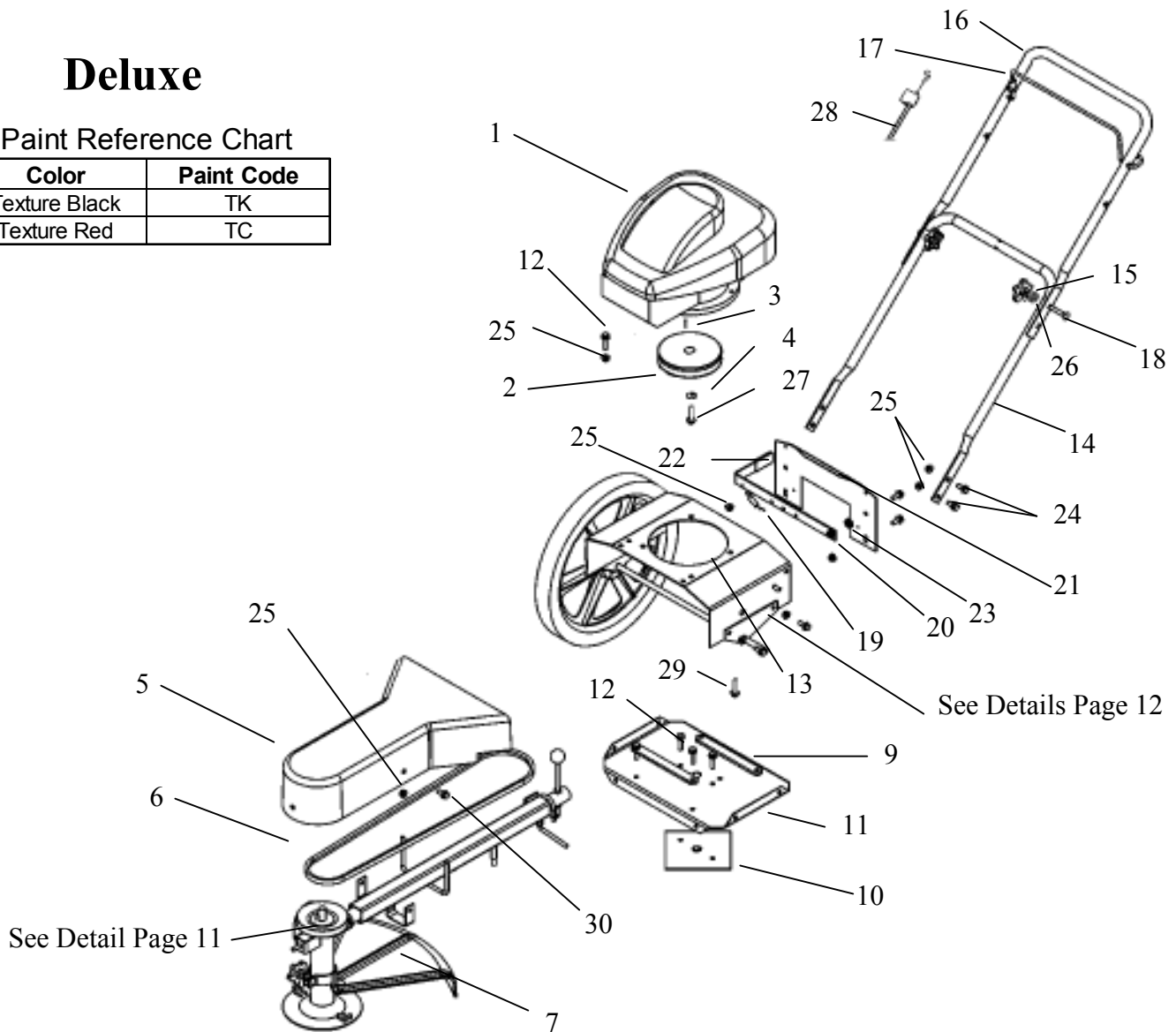
## Trim-Max Axle Setup

Item #	Description	Part #
1	16" Wheel	2003
2	Conical Spring	10004
3	Cotter Pin	NB126
4	Wheel Bearing	MWB
5	Axle	2025
6	Axle Plate	2106

# Deluxe

## Paint Reference Chart

Color	Paint Code
Texture Black	TK
Texture Red	TC

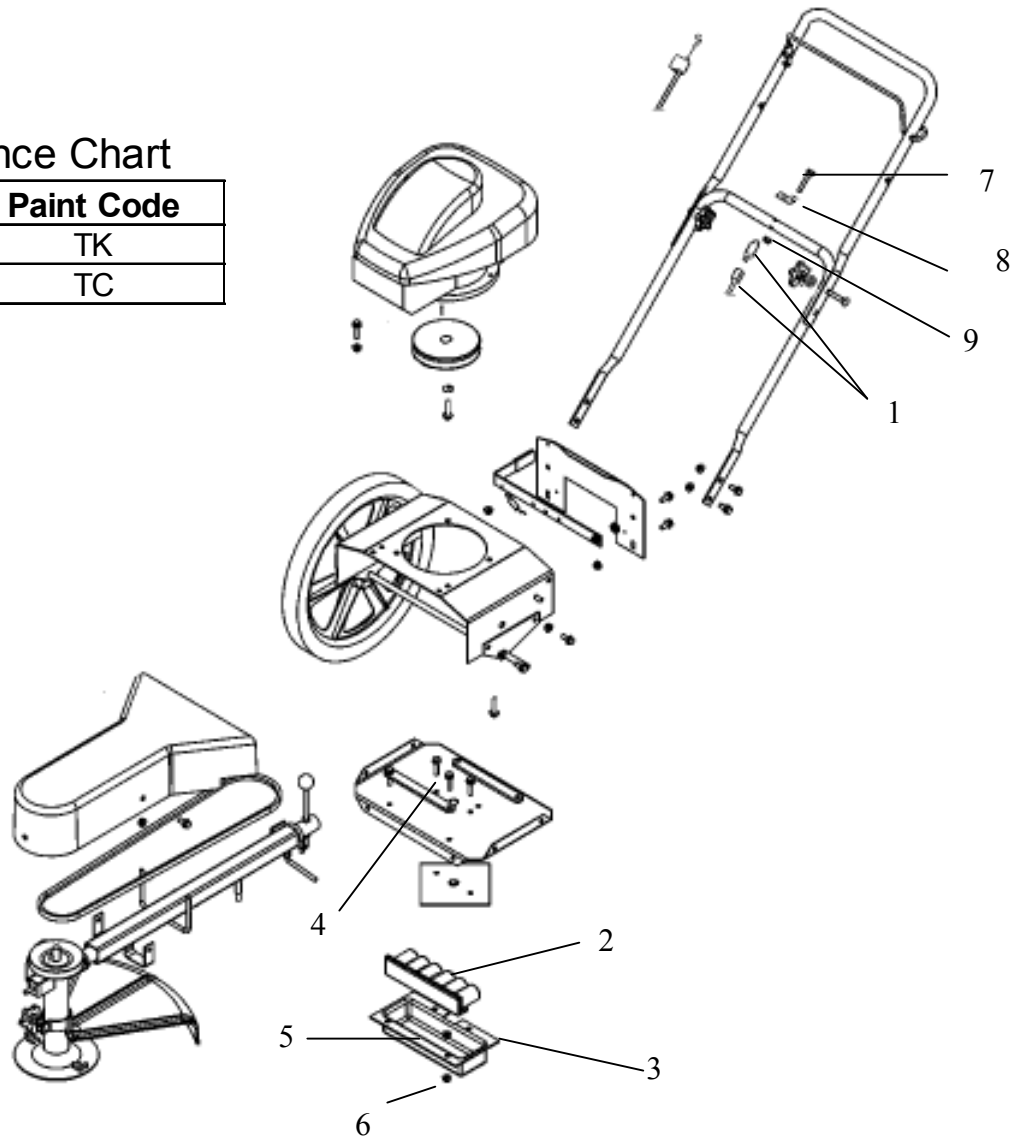


Item #	Description	Part #	Item #	Description	Part #
1	Briggs & Stratton Engine	N/A	16	Upper Handle	10578TK
2	Engine Pulley- 6"	2065	17	Operator Presence Bail	10397
3	3/16 X 1 Key Stock	9030	18	5/16-18 X 1 1/2 Carriage Bolt	NB587
4	SP Washer Bellville	NB607	19	Spring	2069
5	Belt Guard	2119	20	Pivot Stop	2040
6	Blade Belt	2113	21	Rear Cover	2126
7	Lower Shield Sub Assy.	2076	22	Handle Grip, Pivot	2077
9	Wear Strip	2116	23	Spacer	B99S
10	Pivot Plate Weldment	2073	24	5/16-18 X 3/4 Serr Flng Bolt	NB596
11	Lower Motor Base	2006	25	5/16-18 Serrated Flange Nut	NB170
12	5/16-18 X 1 1/4 Flange Bolt	NB253	26	Washer	NB275
13	Upper Motor Base	2005	27	3/8-24 X 1 Engine Bolt Locktite	NB238N
14	Lower Handle	10399TK	28	Operator Presence Cable	2034B
14	Lower Handle ST6002212V	10886TK	29	5/16-18 X 2 1/4 Serr Flg Bolt	NB622
15	Black Plastic Knob	2030	30	5/16-18 X 1/2 Serr Flng Bolt	NB252

# 12 Volt Deluxe

## Paint Reference Chart

Color	Paint Code
Texture Black	TK
Texture Red	TC



**For Additional Parts  
See Page 13**

Item #	Description	Part #
1	Wiring Harness	2120B
Not Shown	Key Switch	2102
Not Shown	Keys For Key Switch (set of two)	KSK
2	Battery for Weedtrimmer	2101
3	Battery Cover	2105
4	Bolt	NB253
5	Nut	NB170
6	Nut Nylock	NB181
7	5/16-18 X 1 1/2 Hex Bolt	NB254
8	Key Plate	2118TK
9	5/16-18 Nyloc Nut	NB181

