



OWNER'S MANUAL

FROM SERIAL #96-
354001 TO L199-307000

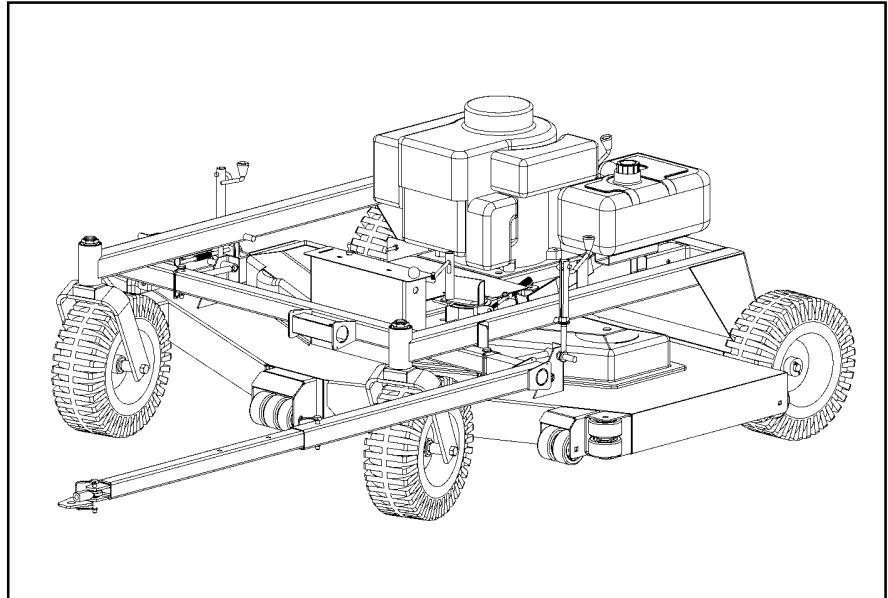
MODEL NO.
T1260
T1360



CAUTION:

**Read and follow all
Safety Rules and
Instructions Before
Operating This
Equipment**

Rev.05-193



60" UNIVERSAL TRAILMOWER

Assembly
Operation
Service and Adjustment
Repair Parts

SAFETY AND OPERATIONAL DECALS

Replace decal immediately if damaged. Order by part number from Swisher Mower and Machine Co. Inc.



SERIOUS INJURY OR DEATH CAN OCCUR

- MOVING PARTS - SHARP BLADES - THROWN OBJECTS - POSSIBILITY OF ROLL OVER -
- GO UP AND DOWN SLOPES, NOT ACROSS.
- AVOID SUDDEN TURNS, SUDDEN CHANGES IN DIRECTION, SUDDEN CHANGES IN SPEED.
- IF MACHINE STOPS GOING UPHILL, STOP BLADE AND BACK SLOWLY DOWN.
- BE EXTRA CAUTIOUS ON ALL SLOPES AND UNEVEN SURFACES.
- DO NOT MOW WHEN CHILDREN OR OTHERS ARE AROUND.
- NEVER CARRY CHILDREN OR OTHERS AS PASSENGERS.
- LOOK DOWN AND BEHIND BEFORE AND WHILE BACKING.
- KEEP SAFETY DEVICES (GUARDS, SHIELDS, AND SWITCHES) IN PLACE AND WORKING.
- REMOVE OBJECTS THAT COULD BE THROWN BY THE BLADE.
- KNOW SAFE OPERATING INSTRUCTIONS BEFORE STARTING ENGINE.

— READ OPERATORS GUIDE FIRST —

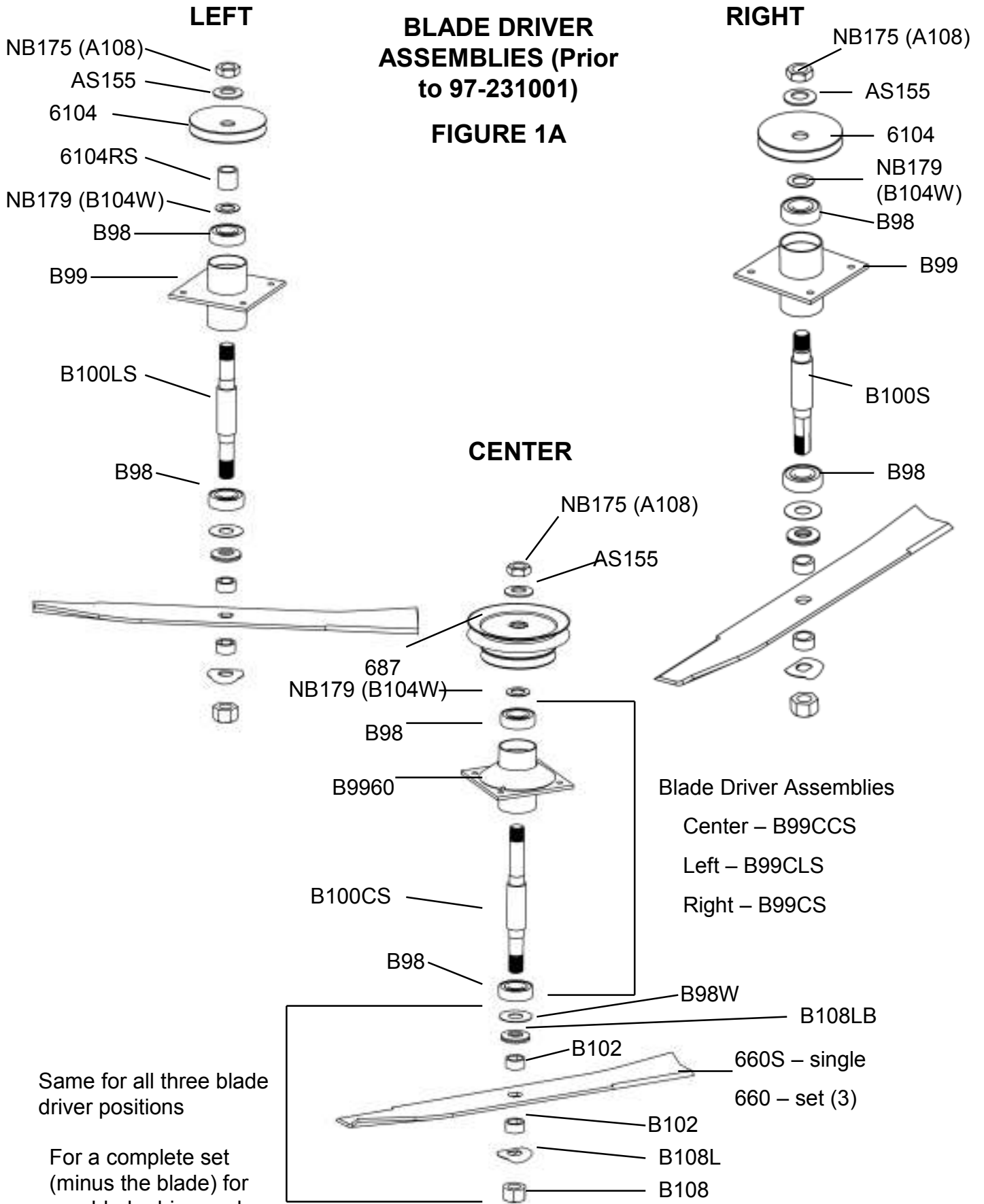
OD42 Warning Decal



OD43 Danger Decal

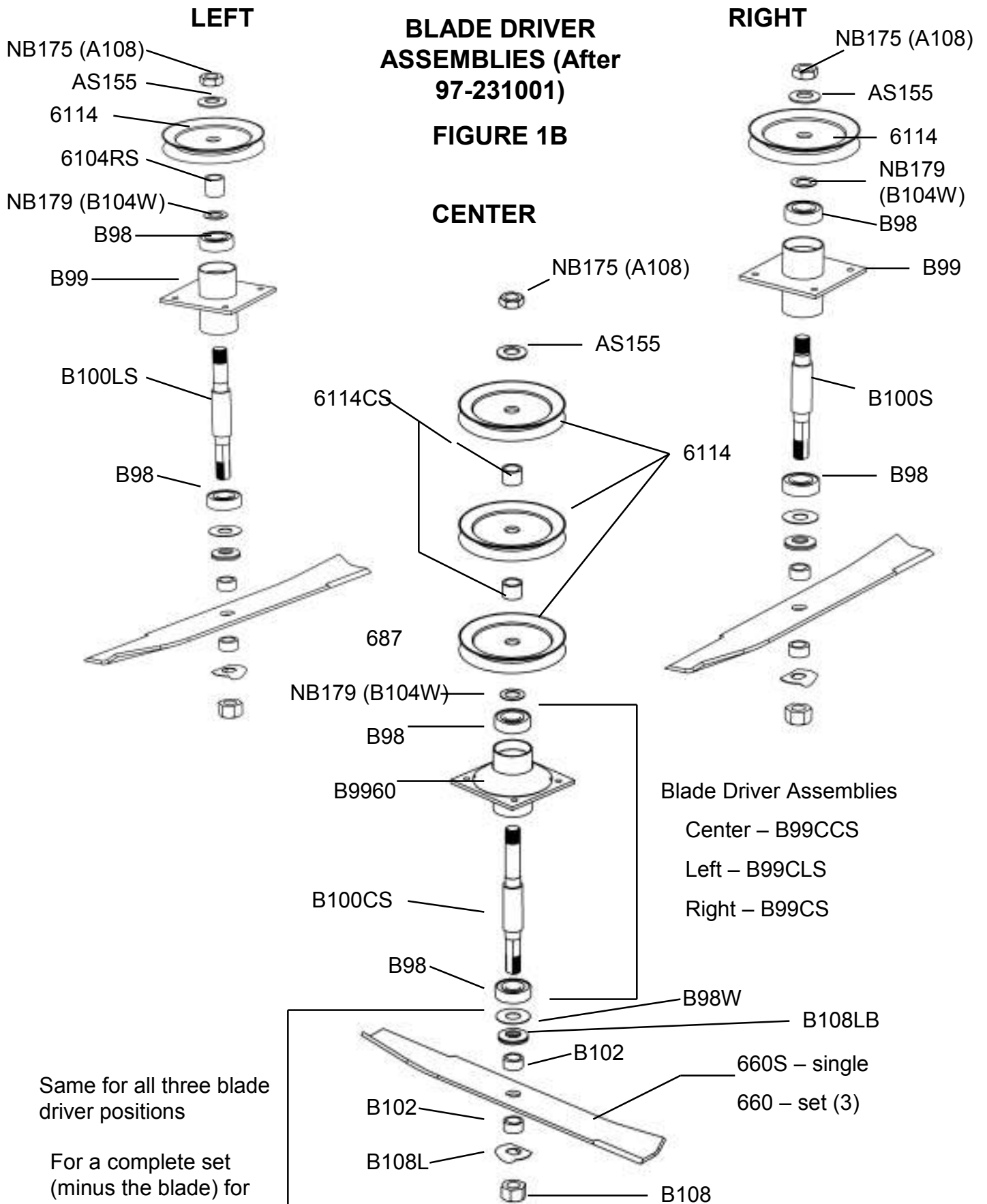
BLADE DRIVER ASSEMBLIES (Prior to 97-231001)

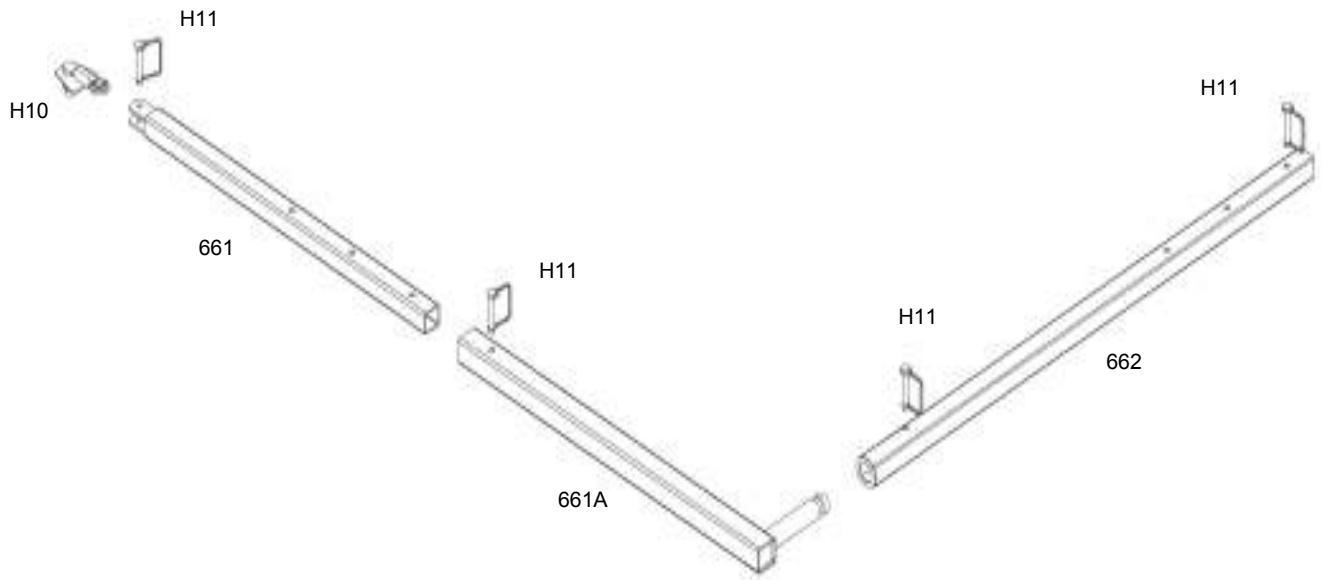
FIGURE 1A



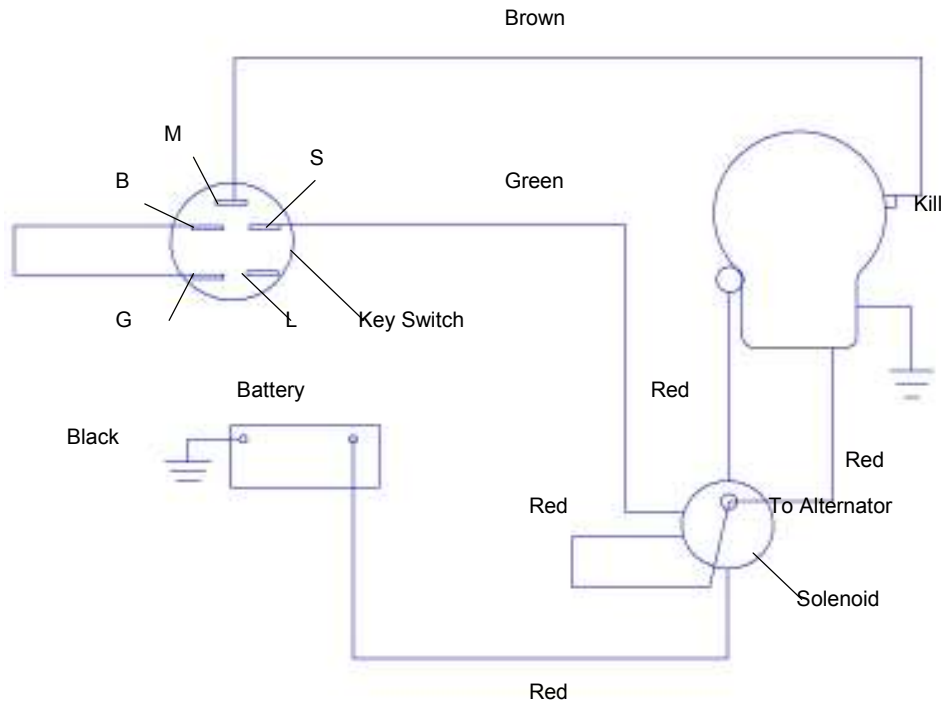
Same for all three blade driver positions

For a complete set (minus the blade) for one blade driver order B100SK





Hitch Bar Assembly
Figure 2



T60 12V Start
Figure 3

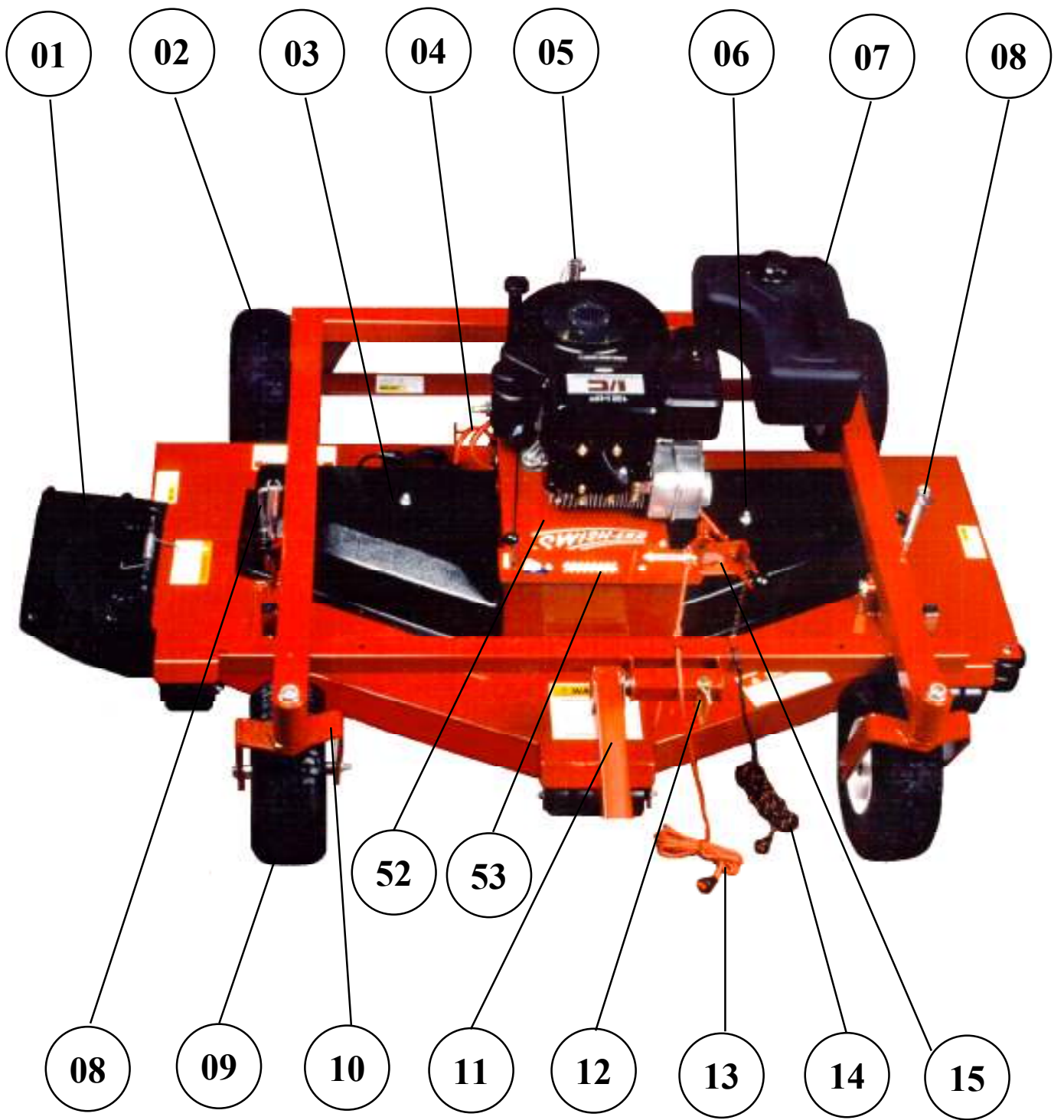


Figure 4
14

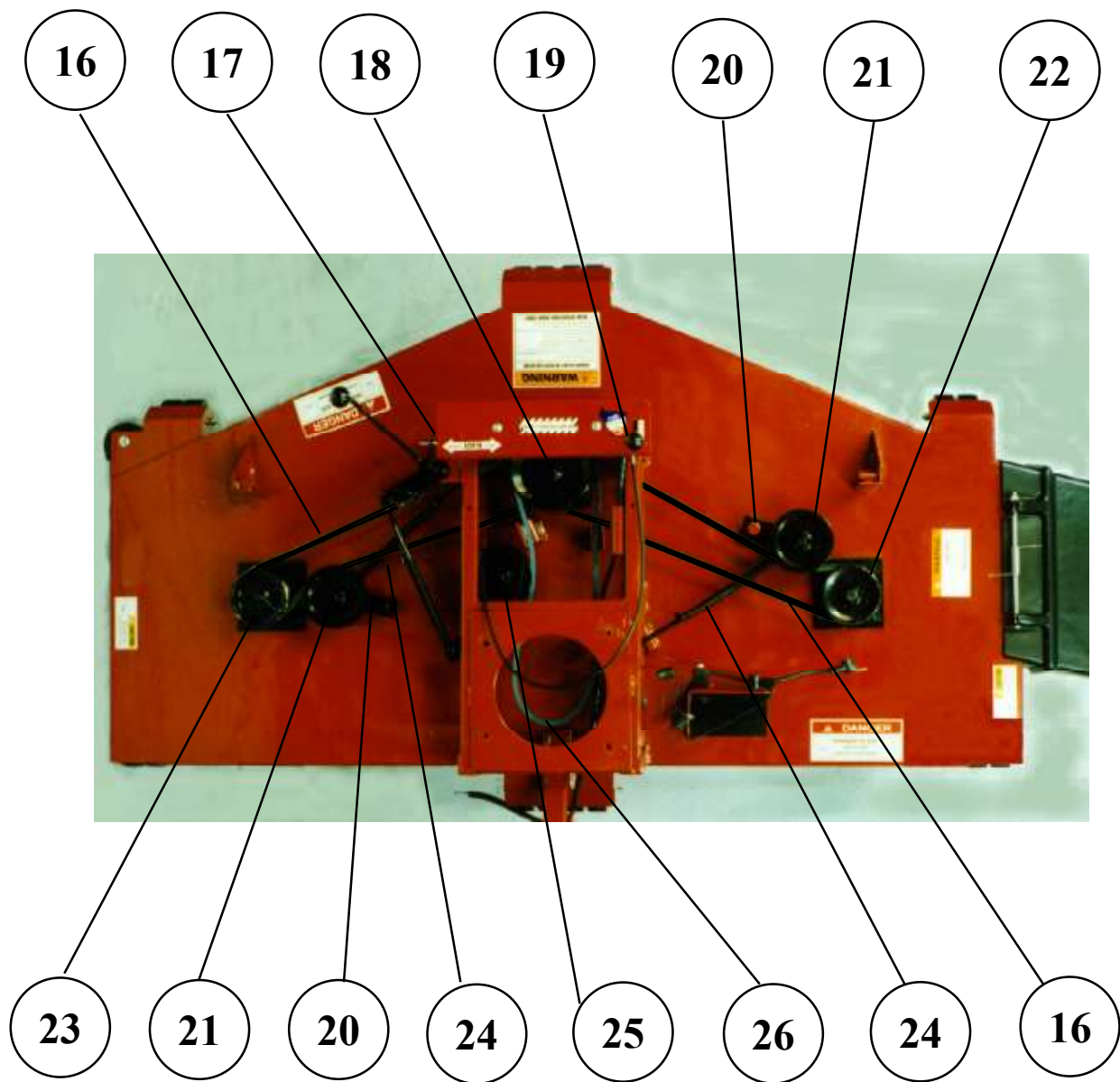


Figure 5

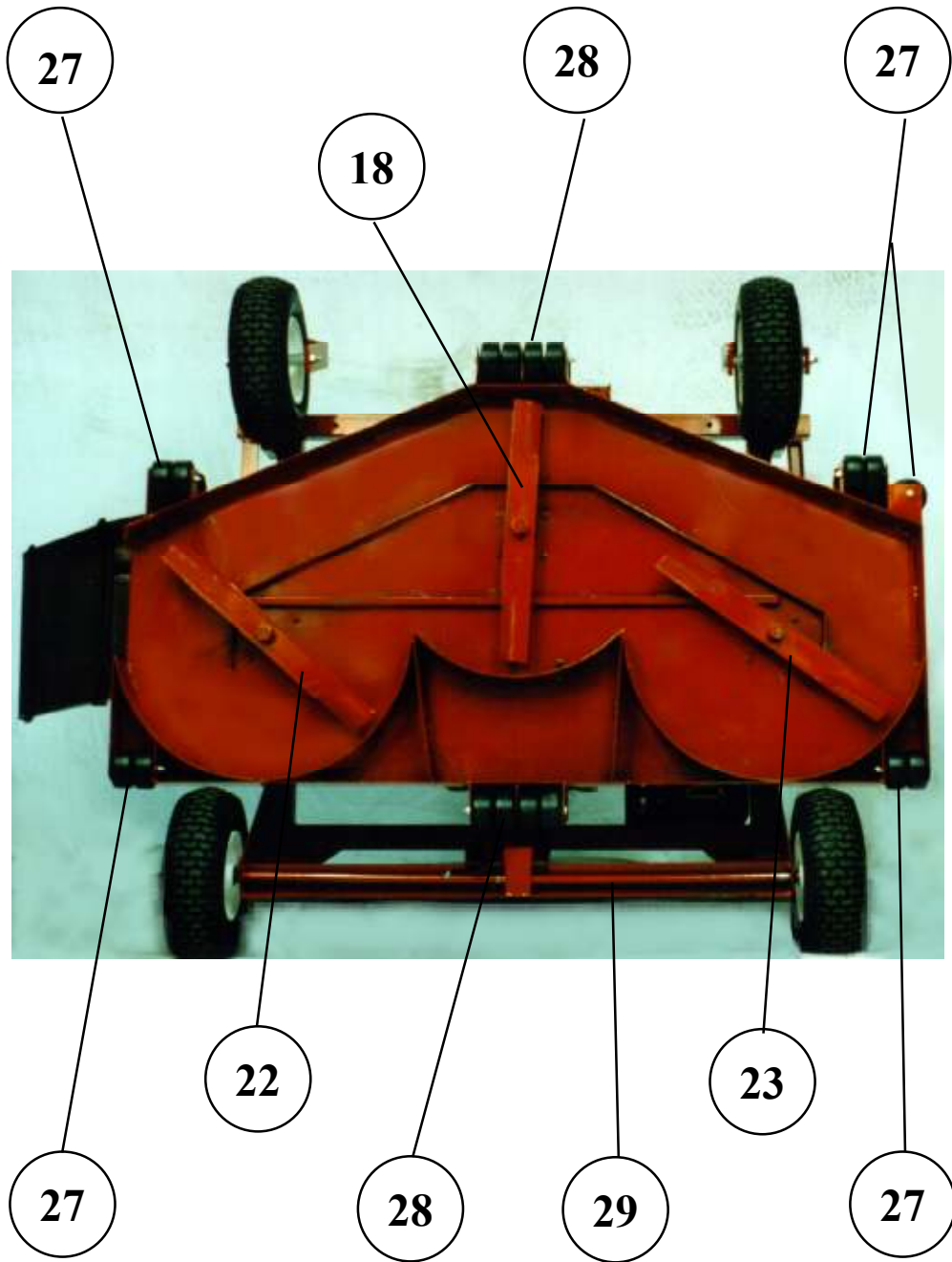
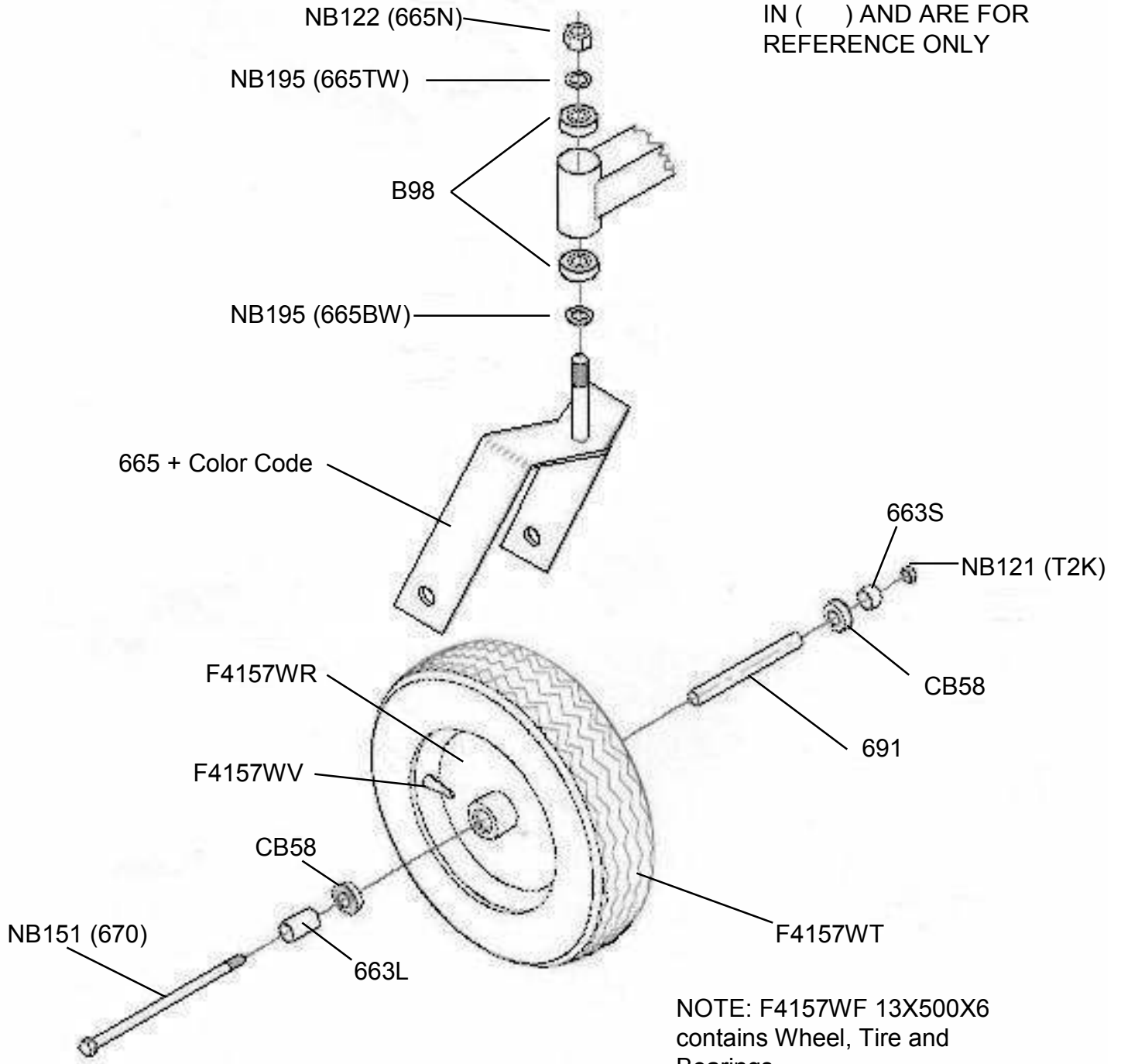


Figure 6

OBSOLETE PART
NUMBERS ARE SHOWN
IN () AND ARE FOR
REFERENCE ONLY



NOTE: F4157WF 13X500X6
contains Wheel, Tire and
Bearings

CASTER ASSEMBLY
Figure 7

Item #	Description	Part #
1	Grass Chute	(CH5) 6031TK
	Bolt/Nut	(CH5B) NB136
	Spring	CH5S
2	Tire/Wheel/Bearing	F4157W
3	Right Belt Guard	6155RN
	Acorn Nut	(FR154N) NB120
4	Battery Cable Red	BCSR
	Battery Cable Black	BCS
5	Height Adjust Crank Assembly	H7ASY
	Height Adjust Crank	H7N
	Plastic Bushing	T2PB
	Cotter Pin	(T218C) NB580
	Knob	H7K
	5/16 Pal Washer	NB117
	Threaded Link to the Deck (Not included in Hgt Adj Assembly)	(674S) 10038
6	Left Belt Guard	6155LN
	Acorn Nut	(FR154N) NB120
7	Gas Tank	6102T
	Gas Cap	6102NC
	Gas Tank Mount	6102TK
	Rubber Bushing	AS119
	Fuel Shutoff Valve	AS120
	Fuel Line Clamp	6FLC
	Fuel Line	6102FLN
8	Height Adjust Crank Assembly	H7ASY
	Height Adjust Crank	H7N
	Plastic Bushing	T2PB
	Cotter Pin	(T218C) NB580
	Knob	H7K
	5/16 Pal Washer	NB117
	Threaded Link to the Deck (Not included in Hgt Adj Assembly)	(674S) 6599
9	Tire/Wheel/Bearing	F4157WF
	Bolt/Nut	(670/T2K) NB151/NB121
	Spacer (Exterior)	663S
	Spacer (Exterior)	663L
	Spacer (Interior)	691
10	Caster Fork	665TK
	Caster Nut	(665N) NB122
	Washer Upper	(665TW) NB195
	Washer Lower	(665BW) NB195

Item #	Description	Part #
11	Tongue	661
	Tongue Hinge	661A
	Tongue Extension	662
	Hitch Swivel	H10
12	Safety Hitch Pin	H11
13	Red Safety Rope	H9B
14	Blade Engage Tether (Black)	BT44
15	Blade Engage Lever T60	BEA60
	Engage Bushing	(681S) 6713
	Bolt/Nut	(681B) NB155/NB281
	Lever	681N
	Lever Knob	B19 BLACK
	Rod Spring	B25RT
16	Belt	66LR
	Belt after Ser. 97-231001	66LR2
17	Key Switch	KS12
18	Blade Driver Center	B99CCS (for list see fig. 1A or 1B)
19	Throttle	686
	Throttle after Ser. 97-231001	686N
20	Idler Bracket	678
21	Idler Pulley	B527
22	Blade Driver Right	B99CS
23	Blade Driver Left	B99CLS
24	Idler Rod Spring	B25R6 center / B25RT outer
25	Idler Pulley	B527
	Engine Idler Bracket	681N
26	Engine Belt	644
27	Anti-Scalp Roller	SWR3
	Bolt/Nut	(BR4/BR47N) NB517/NB181
28	Anti-Scalp Roller	SWR3 - 2 Sets
	Bolt/Nut	(BR7/BR47N) NB147/NB181
29	Rear Axle	664N
	Rear Wheel Washer	NB149
	Cotter Pin	(T218C) NB580

Items Not Shown		
Item #	Description	Part #
30	Wiring Harness	WHN60B (Briggs)
	Wiring Harness	WHN60T (Tecumseh)
	Toggle Switch	685
31	Starter Relay	SOL NEW
	Starter Relay Ser. 97-98	9043
32	Battery (12V) type	14A-A1
33	Oil Drain Valve	AS122
	Oil Drain Hose	AS161
34	Engine Pulley	688
35	Engine Pulley Spacer Long	689L
	Engine Pulley Spacer Short	689S
36	Key Stock	688K
37	Engine Pulley Washer	699
38	Engine Pulley Bolt	(6100) NB452
39	Bearing, Flanged 3/4 ID	CB58
40	Bearing, Flanged 5/8" ID 1 3/8" OD	F157B
41	Blade Bearing	B98
Decals and Labels		
42	Warning Decal	OD30
43	Danger Decal	OD29
44	Caution-Deflector Decal	OD36
45	Caution Hand Decal	OD20
46	Speed Decal	OD33
47	No Step Decal	OD11
48	Blade Engage Decal	OD10
49	Engine Power Decal	OD28
50	Swisher Logo	OD32
51	Made in Missouri Decal	OD31
	Throttle Decal	OD56
	Console Decal	OD57
Additional Components		
52	Engine Plate	6155NF
53	Throttle Plate	6155TH