

swisherinc.com

**SWISHER**

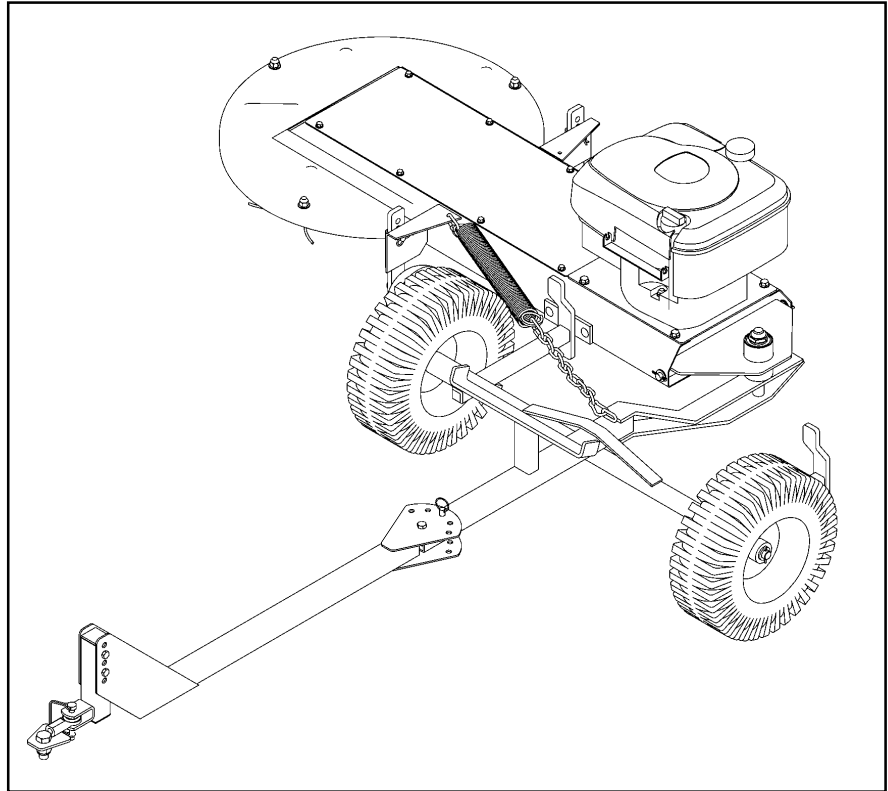
# OWNER'S MANUAL

**MODEL NO.  
PST50022**



**IMPORTANT**  
Read and follow all  
Safety Precautions  
and Instructions  
before operating this  
equipment.

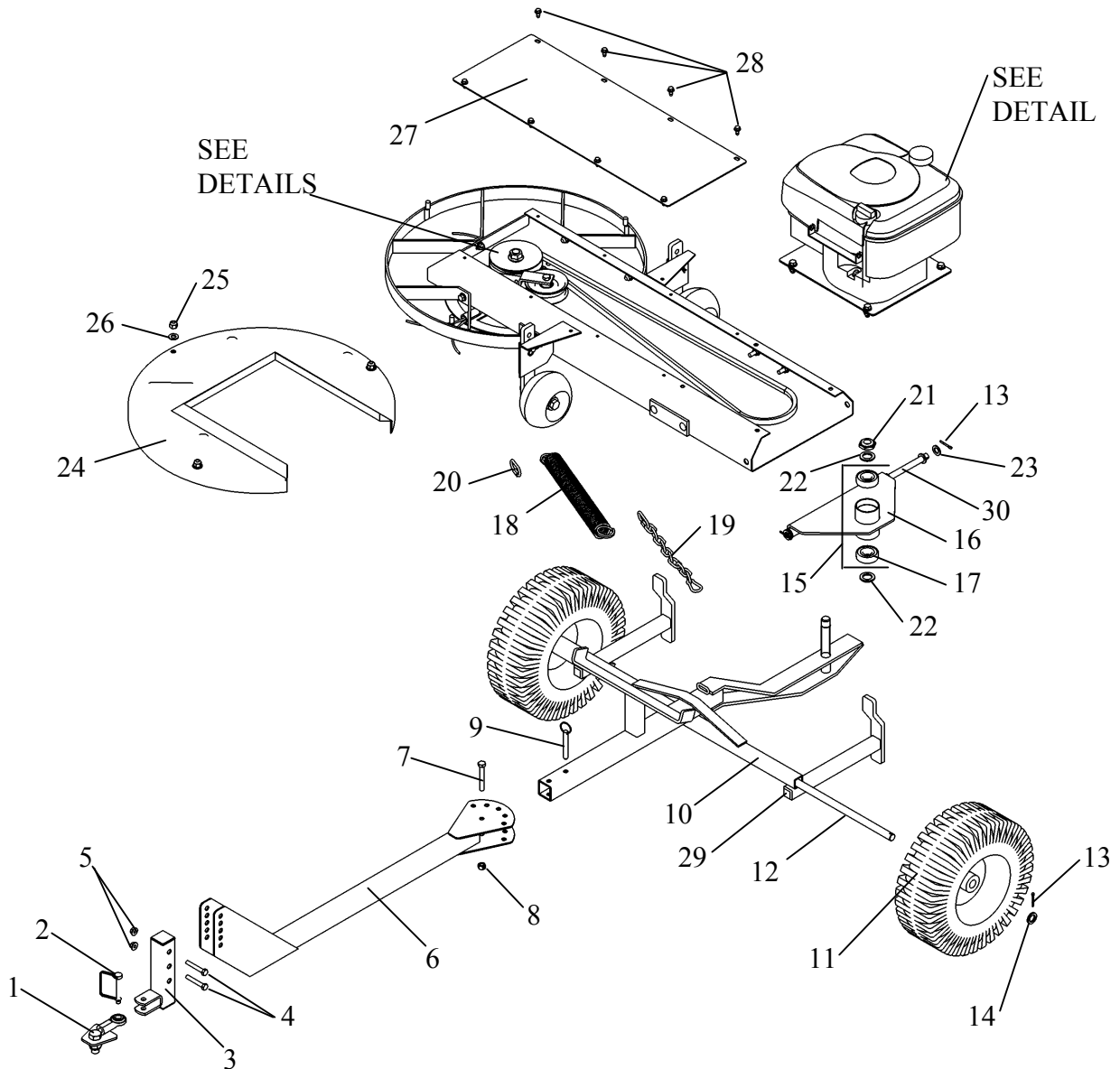
Rev.02.9.2001



# POSTMASTER TOW MOWER & FENCE POST TRIMMER

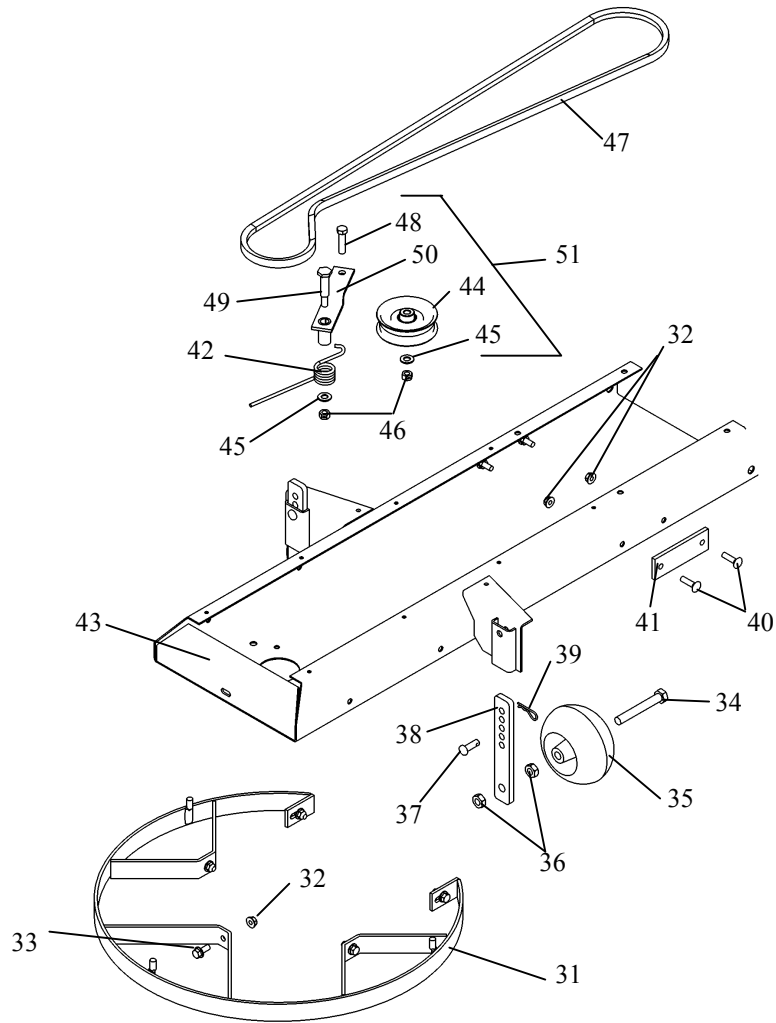
**Assembly  
Operation  
Service and Adjustment  
Repair Parts**

**SWISHER**



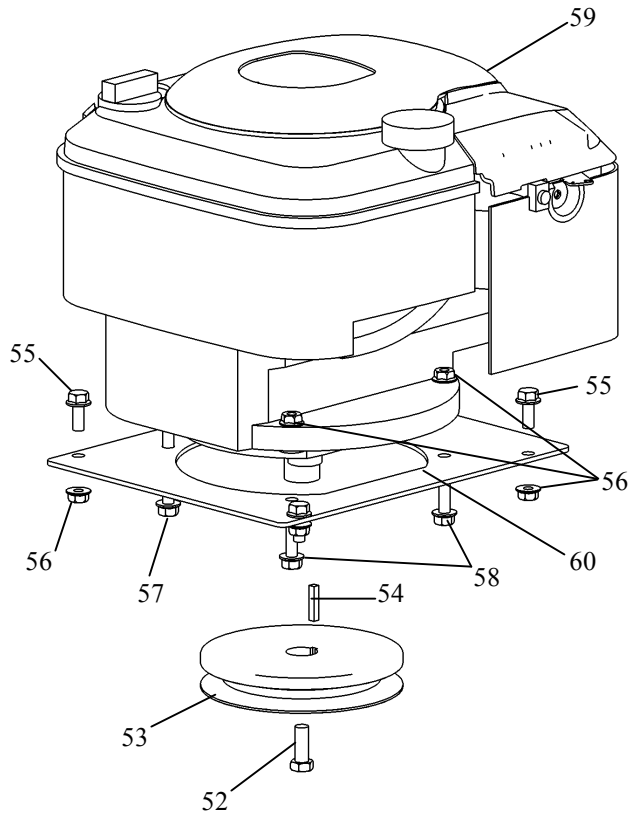
## POSTMASTER ASSEMBLY

ITEM NUMBER	DESCRIPTION	PART NUMBER	ITEM NUMBER	DESCRIPTION	PART NUMBER
1	Swivel Hitch	H10	16	Pivot Weldment	3530
2	Hitch Pin	H11	17	Bearing	B98
3	L Hitch	H1	18	Return Spring	3508
4	5/16-18 X 2 Gr.5 Bolt	NB507	19	Safety Chain	4567
5	5/16-18 Serr. Flange Nut	NB170	20	3/16 Chain Connector	ES077
6	Hitch	3549	21	3/4-16 Jam Nylok Nut	NB122
7	3/8-16 x 2 1/2 Gr.5 Bolt	NB221	22	13/16 X 1 1/4 x 1/8 Washer	NB195
8	3/8-16 2-Way Lock Nut	NB280	23	1/2 x 14 Ga. Machine Bushing	NB177
9	3/8 x 2 1/2 Ball Lock Pin	NB520	24	Plastic String Guard	3526
10	Frame Weldment	3551	25	3/8-16 Nylok Nut	NB182
11	Tire/Wheel/Bearing	F4157W	26	3/8 SAE Washer	NB272
12	Axle	3536	27	Belt Cover	3501
13	1/8 x 1 Cotter Pin	NB126	28	1/4-20 x 1/2 Tapping Bolt	NB114
14	5/8 ID X 1 OD 10 Ga. Washer	NB178	29	1" Square Plug	671P
15	Pivot Assembly	3557	30	Pivot Bar	3504

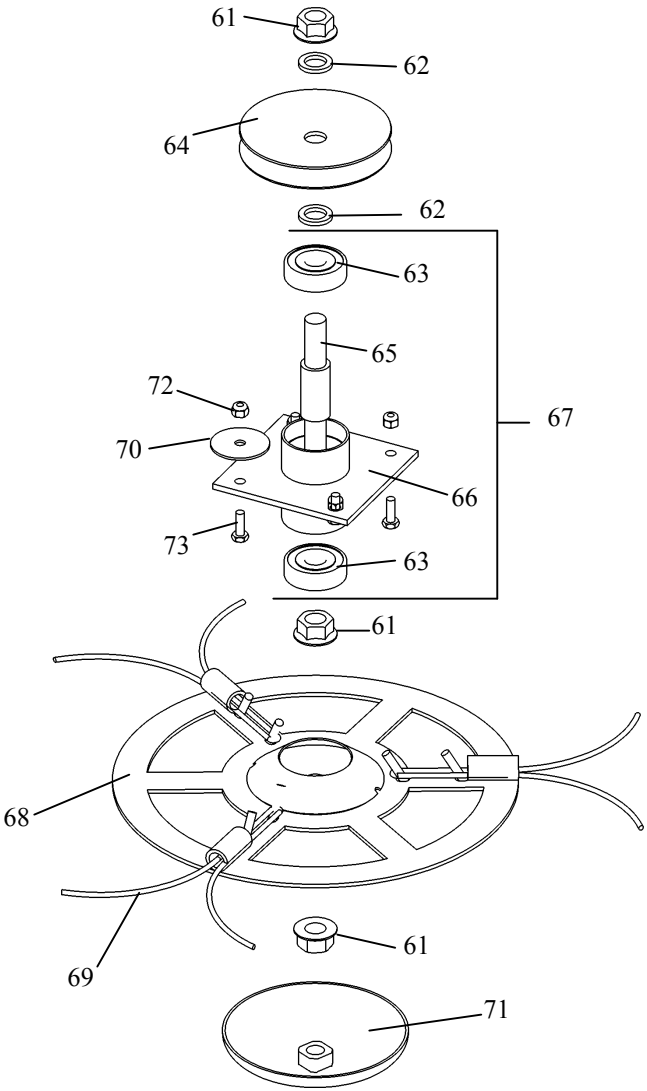


## DECK ASSEMBLY

ITEM NUMBER	DESCRIPTION	PART NUMBER
31	Front Guard	3532
32	5/16-18 Serr. Flange Nut	NB170
33	5/16-18 x 3/4 Serr. Flange Bolt	NB596
34	1/2-13 x 3 1/2 Gr.5 Bolt	NB577
35	Roller Wheel	3511
36	1/2-13 Jam 2-Way Lock Nut	NB121
37	3/8 x 1 1/8 Clevis Pin	NB300
38	Height Adjust Bar	3515
39	#3 Hair Pin	NB127
40	5/16-18 x 1 Carriage Bolt	NB516
41	Wear Strip	3519
42	Torsion Brake Spring	9040
43	Motor Base Weldment	3548
44	Idler Pulley OD-3.25", ID-3/8"	B527
45	3/8 SAE Washer	NB272
46	3/8-16 2-Way Lock Nut	NB280
47	Belt 74"	4220
48	3/8-16 x 1 1/2 Gr.5 Bolt	NB107
49	1/2 X 1-9/16 Shoulder Bolt	NB220
50	Idler Weldment	3533
51	Idler Sub-Assembly	3554



### ENGINE SET-UP



### SPINDLE ASSEMBLY

ITEM NUMBER	DESCRIPTION	PART NUMBER
52	3/8-24 x 1Gr.5 Bolt	NB238N
53	Engine Pulley- 6"	2050
54	3/16 x 1 Key Stock	9030
55	5/16-18 x 3/4 Serr. Flange Bolt	NB596
56	5/16-18 Serr. Flange Nut	NB170
57	5/16-18 x 2 1/4 Serr. Flange Bolt	NB622
58	5/16-18 x 1 1/4 Serr. Flange Bolt	NB253
59	5 HP Briggs & Stratton	Not Available
60	Motor Base	3506
61	5/8-11 Serr. Flange Nut	NB598
62	5/8 ID x 1 OD 10 Ga. Washer	NB178
63	Bearing	B985/8
64	Blade Pulley- 4.5"	2049
65	Blade Shaft	3547
66	Bearing Housing	B99EC
67	Spindle Sub-Assembly	3555
68	Spinner Disk Weldment	3553
69	36 Pack 18" Trimmer Line	P3618
70	5/16 ID x 1 3/4 OD x 14 Ga. Washer	NB641
71	Spinner Bumper	3556
72	1/4-20 Nylok Nut	NB180
73	1/4-20 x 3/4 Gr.5 Bolt	NB250