

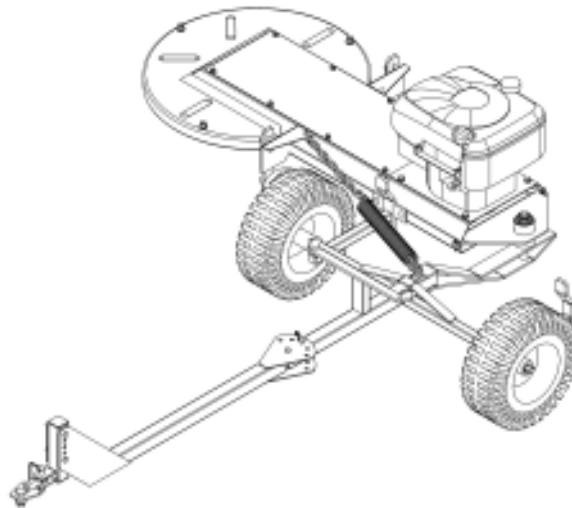
**SWISHER**  
A TRADITION OF QUALITY SINCE 1945

# OWNER'S MANUAL



**CAUTION:**  
Read and follow all  
Safety Rules and  
Instructions Before  
Operating This  
Equipment

Rev. 04-061



**Assembly  
Operation  
Service and Adjustment  
Repair Parts**

**SWISHER**  
A TRADITION OF QUALITY SINCE 1945



OD45- Warning Serious Injury Decal



OD55- Danger- Triangle Decal

## ASSEMBLY

- Disconnect spark plug wire from spark plug and place where it cannot make a connection.
- All engines are filled with oil at the factory. Verify oil level and add if necessary before starting engine. (See Engine Owner's Manual)
- Verify fuel level and add if necessary before starting engine.
- Attach swivel hitch(H10TK) to L-Hitch(P/N H1), (See p.10). Then connect trimmer to tow vehicle.
- Install trimmer string to spinner weldment (P/N 2021C). See p.5 for installation instructions.
- Reconnect spark plug wire.
- For proper operating procedures, Read pp. 4-7.

## OPERATING YOUR NEW CUTTER



The operation of any mower can produce foreign objects to be thrown into the eyes, resulting in severe eye damage. Always wear certified safety glasses or wide-vision safety goggles over spectacles before starting any cutting machine and while operating such a machine.



The operation of any cutter produces sound waves that are damaging to the human ear. Ear protection is recommended.

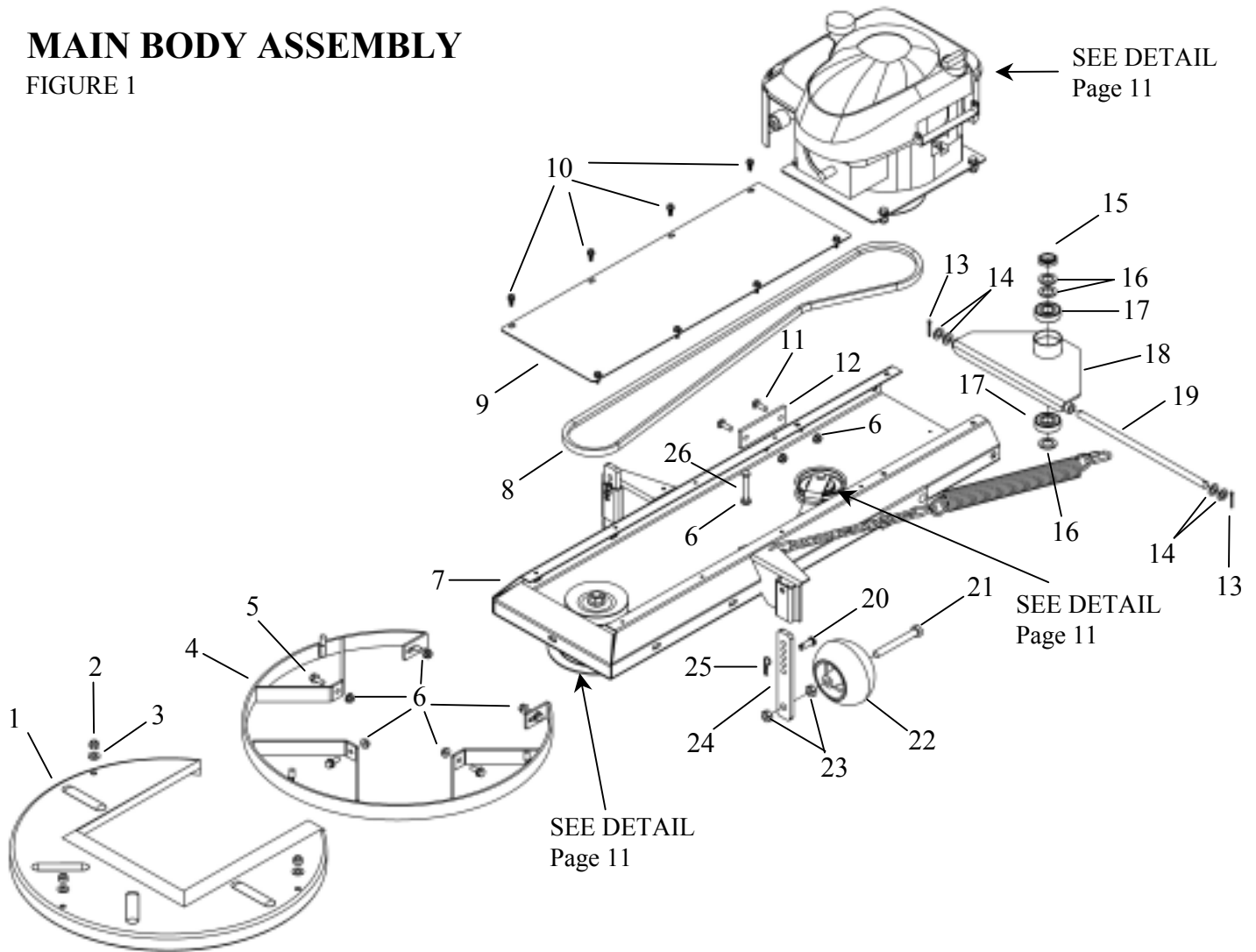


### CAUTION!

Tragic accidents can occur if the operator is not alert to the presence of children. Children are often attracted to the machine and the mowing activity. *Never assume that children will remain where you last saw them.*

# MAIN BODY ASSEMBLY

FIGURE 1



Item #	Description	Part #
1	Plastic Cover	3526
2	3/8-16 Nyloc Nut	NB182
3	3/8 SAE Washer	NB272
4	Guard Weldment	3532TK
5	5/16-18 X 3/4 Serr Flng Bolt	NB596
6	5/16-18 Serrated Flng Nut	NB170
7	Motor Base	3548C
8	Belt 74"	4220
9	Belt Cover	3501C
10	#14 X 3/4 HX Tek Screw ZP	NB161
11	5/16-18 X 1 Carriage Bolt	NB516
12	Wear Strip	3519
13	1/8 X 1 Cotter Pin	NB126

Item #	Description	Part #
14	1/2 NR Mach Bushing 14 GA	NB177
15	3/4-16 Jam Nylok Nut	NB122
16	13/16 X 1 1/4 X 1/8 Washer	NB195
17	Blade Bearing	B98
18	Pivot Weldment	3530TK
19	Pivot Bar (Zinc Plated)	3504Z
20	Clevis Pin Std Zp 3/8 X 1 1/8	NB300
21	1/2-13 X 4 HCCGR5ZP	NB132
22	Gauge Wheel	3511
23	1/2-13 2-Way Jam Lock Nut	NB121
24	Height Adjust Bar	3515TK
25	#3 Hair Pin (A155H)	NB127
26	5/16-18 X 2 3/4 HCCGR2ZP	NB106

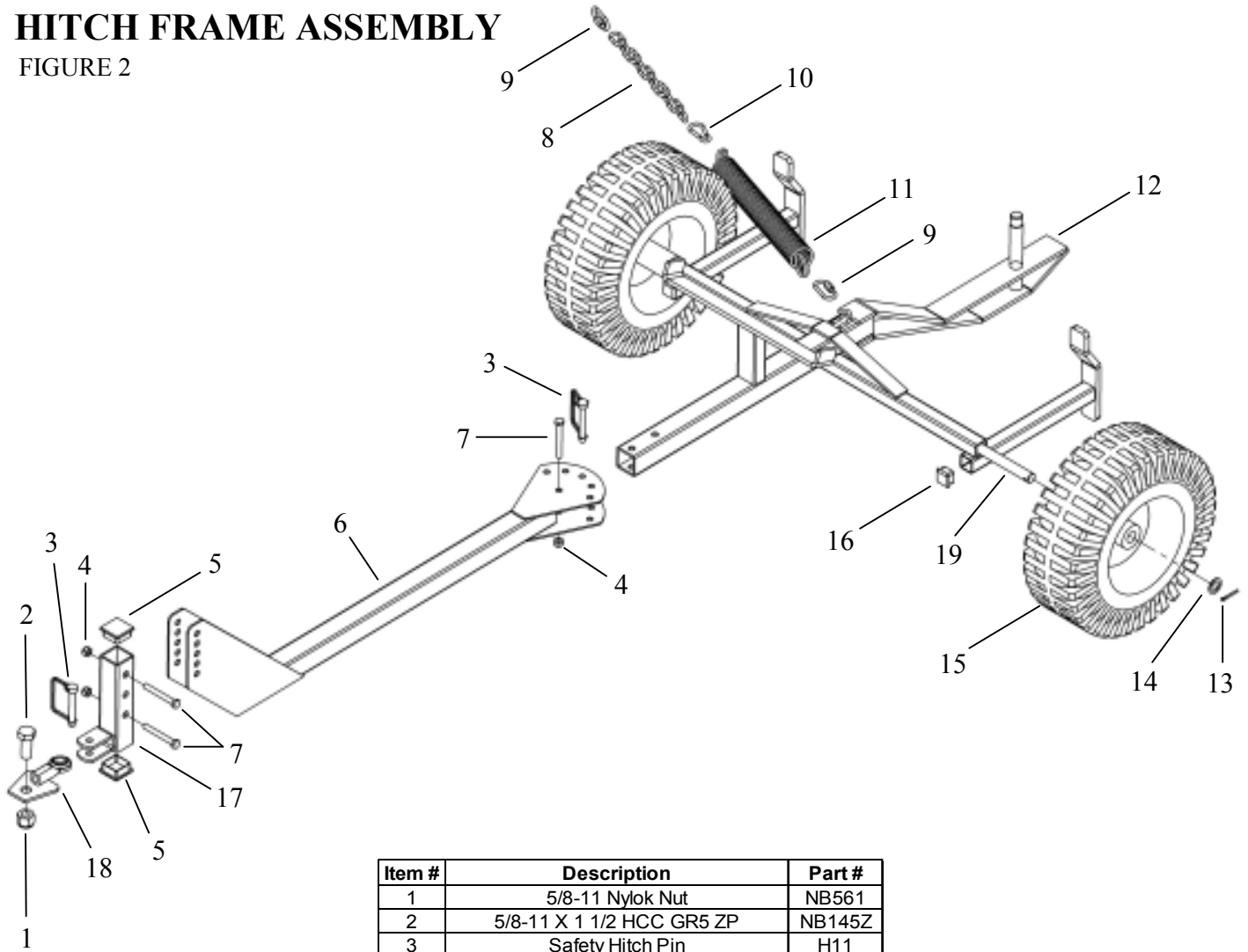
When ordering replacement parts

\* = USE PAINT CODE:

C=RED,S=SLIVER,TK=TEX.BLACK

# HITCH FRAME ASSEMBLY

FIGURE 2



Item #	Description	Part #
1	5/8-11 Nylok Nut	NB561
2	5/8-11 X 1 1/2 HCC GR5 ZP	NB145Z
3	Safety Hitch Pin	H11
4	5/16-18 Nyloc Nut	NB181
5	Plug for H1	H1P
6	Hitch	3549C
7	5/16-18 X 2 1/2 HCC GR5 ZP	NB138
8	Chain - Tension Adjustment	3568
9	3/16 Chain Connector	ES077
10	3/16 Spring Snap Hook	ES078
11	Spring	3508
12	Frame Weldment	3551C
13	1/8 X 1 Cotter Pin	NB126
14	5/8 ID X 1 OD 14 GA Washer	NB149
15	Tire/Wheel- 5/8 Bearing 13x5x6 NHS	F4157W
16	1" Square Plug	671P
17	L Hitch	H1TK
18	Hitch Swivel	H10TK
19	Axle	3536

When ordering replacement parts

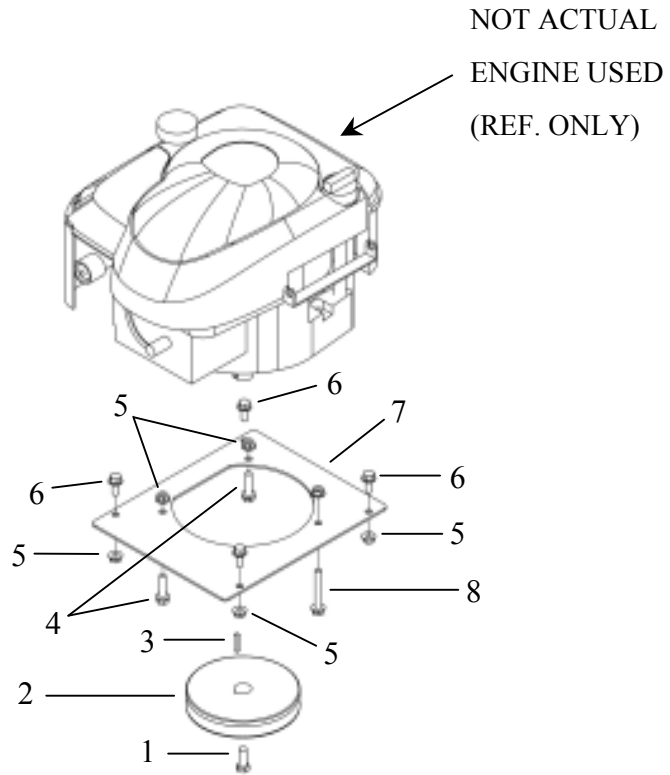
\* = USE PAINT CODE:

C=RED,S=SLIVER,TK=TEX.BLACK

# ENGINE ASSEMBLY

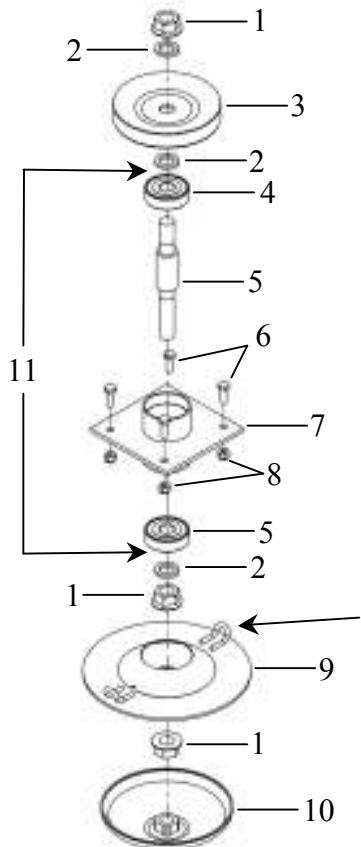
FIGURE 3

Item #	Description	Part #
1	3/8-24 X 1 Engine Bolt Locktite	NB238N
2	Engine Pulley- 6"	2050
3	3/16 X 1 Key Stock	9030
4	5/16-18 X 1 1/4 Serr. Flng Bolt	NB253
5	5/16-18 Serr. Flng Nut	NB170
6	5/16-18 X 3/4 Serr. Flng Bolt	NB596
7	Motor Base	3506C
8	5/16-18 X 2 1/4 Flng Serr. GR5 ZP	NB622
	6.75 HP B&S Engine	N/A



# BLADE DRIVER ASSEMBLY

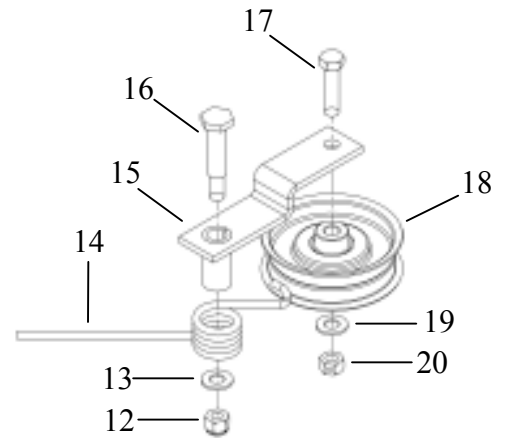
FIGURE 4



Item #	Description	Part #
1	5/8-11 Serr. Flng Nut	NB598
2	5/8 ID X 1 OD 10 GA Washer	NB178
3	Blade Pulley- 4.5"	2049
4	Trimmer Bearing	B985/8
5	Blade Shaft- Postmaster 7/8 X 5.875	3547
6	1/4-20 X 3/4 GR5 ZP	NB250
7	Short Bearing Housing	B99ECTK
8	1/4-20 Nyloc Nut	NB180
9	Spinner Weldment Trimmer	2021C
10	Spinner Bumper	3556TK
11	Spindle Sub-Assembly	3555
12	3/8-16 Nyloc Nut	NB182
13	3/8 Hardened Washer	NB196
14	Torsion Brake Spring	9040
15	Idler Arm PST	3533TK
16	1/2 X 1-9/16 Shoulder Bolt	NB220
17	5/16-18 Serr. Flng Nut	NB170
18	Idler Pulley OD-3.25", ID-3/8"	B527
19	3/8 SAE Washer	NB272
20	3/8-16 2-Way Lock Nut	NB280
Not Shown	36 Pack 18" Trimmer Line	P3618

# IDLER ASSEMBLY

FIGURE 5



When ordering replacement parts

\* = USE PAINT CODE:

C=RED,S=SLIVER,TK=TEX.BLACK