



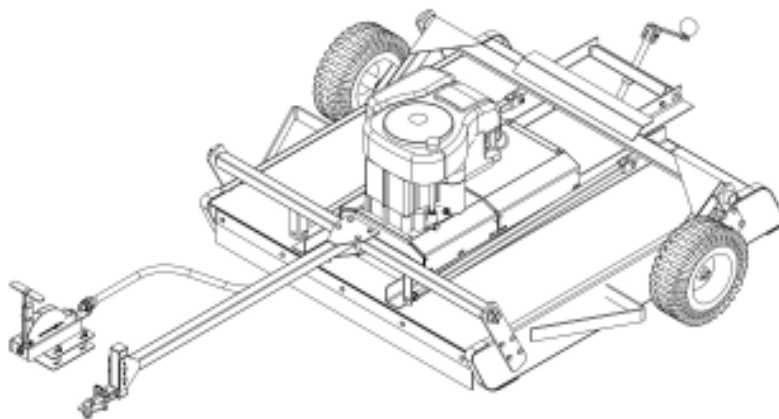
## OWNER'S MANUAL

**MODEL NO.**  
**POLB10544HD**  
**RTB105441**  
**RTB1254412V**



**CAUTION:**  
Read and follow all  
Safety Rules and  
Instructions Before  
Operating This  
Equipment

Rev. 05-301



# 44" ROUGH CUT TRAILMOWER

Assembly  
Operation  
Service and Adjustment  
Repair Parts



# SAFETY AND OPERATIONAL DECALS

Replace decal immediately if damaged. Order by part number from Swisher Mower and Machine Co. Inc.



OD82-44 RUGGED CUT DECAL



OD39-SWISHER FLAG DECAL



OD29-DANGER DECAL



OD33-5MPH DECAL



OD55-DANGER DECAL



OD36-Deflector Decal



OD10-ENGAGE DECAL



OD45-WARNING DECAL



OD99-OFF/RUN DECAL

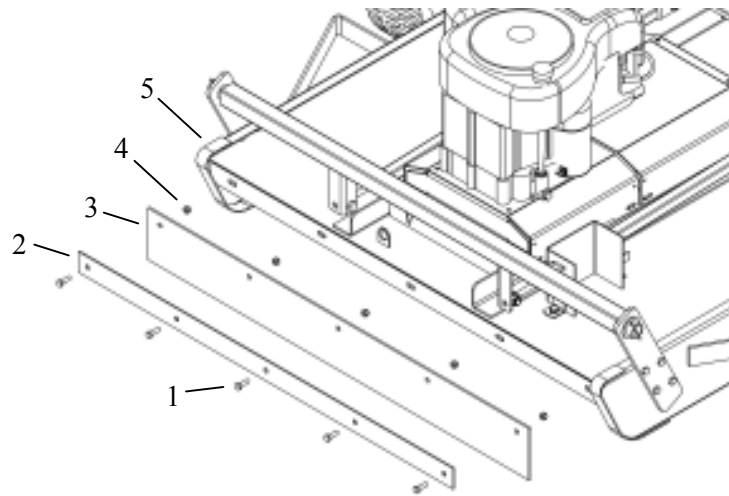


OD28-OFF/RUN/START DECAL

## FRONT SKIRT ASSEMBLY

FIGURE 1

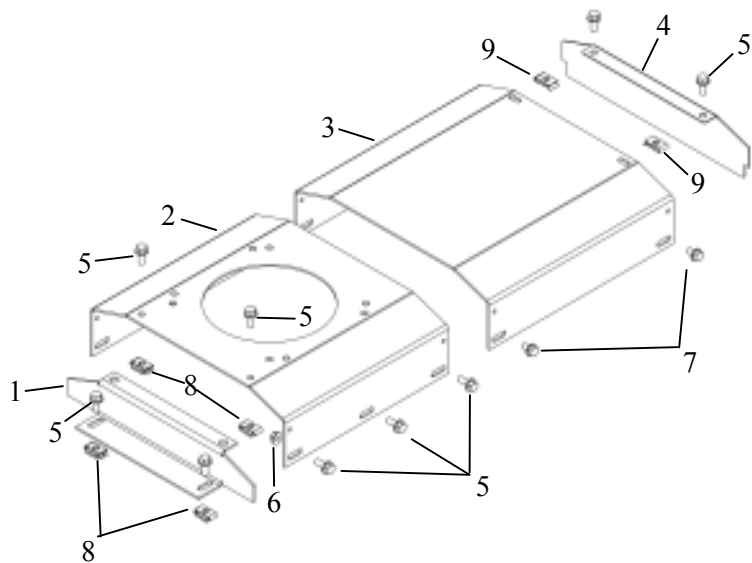
Item #	Description	Part #
1	5/16-18 X 1 HCC GR5 ZP	NB501
2	Metal Strap For Rubber Flap	4853TC
3	Rubber Flapper, 5" X 42.75"	4843
4	5/16-18 Nyloc Nut	NB181
5	Deck Weldment	4865TC



## COVER ASSEMBLY

FIGURE 2

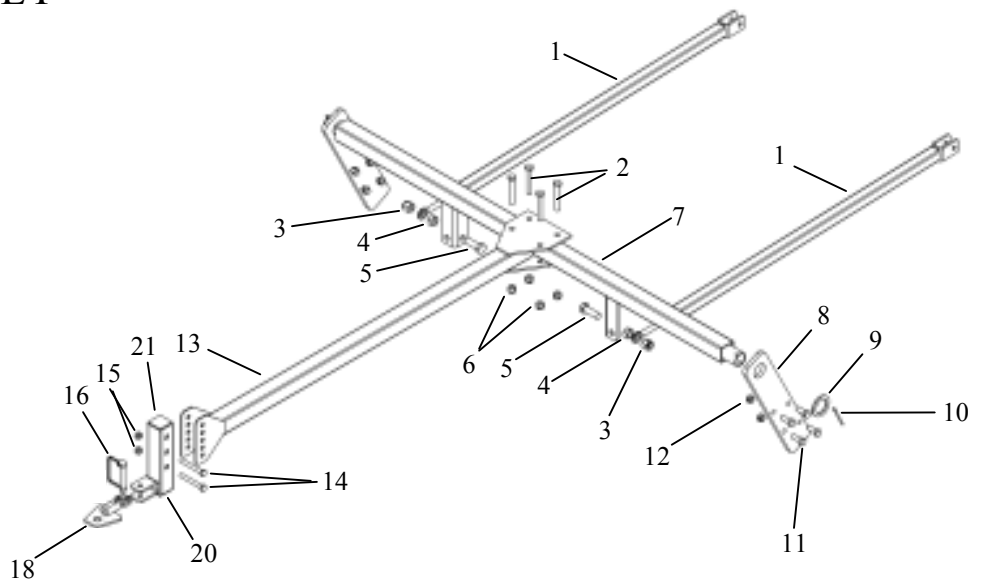
Item #	Description	Part #
1	Front Auxiliary Pulley Cover	4862TC
2	Motor Base Support	4836TC
3	Pulley Cover	4844TC
4	Rear Auxiliary Pulley Cover	4840TC
5	5/16-18 X 3/4 Serr Flg Bolt	NB596
6	5/16-18 Serrated Flange Nut	NB170
7	5/16-18 X 1/2 Serr. Flg Bolt	NB252
8	Tinnerman Clips 5/16-18 Heavy Duty	3669
9	Tinnerman Clip 5/16-18	3706



## HITCH BAR ASSEMBLY

FIGURE 3

Item #	Description	Part #
1	Height Adjustment Bar	4864TC
2	3/8-16 X 2 1/2 HCC GR5 ZP	NB221
3	1/2-13 Nyloc Nut	NB281
4	1/2-13 Nut GR2 ZP	NB213Z
5	1/2-13 X 1 1/2 HTC GR2 ZP	NB617
6	3/8-16 Nyloc Nut	NB182
7	Front Torsion Bar	4861TC
8	Height Adjustment Bracket Front	4805TC
9	1 1/4ID X 1 7/8OD 10 Ga. Washer	NB185Z
10	1/8 X 2 Cotter Pin	NB633
11	3/8-24 X 1 Bolt	NB238
12	3/8-24 Two Way Locknut	NB216
13	Hitch	4866TC
14	5/16-18 X 2 1/2 HCC GR5 ZP	NB138
15	5/16-18 Nyloc Nut	NB181
16	Safety Hitch Pin	H11
18	Hitch Swivel	H10TK
20	L Hitch	H1TK
21	Plug for H1	10063



When ordering replacement parts

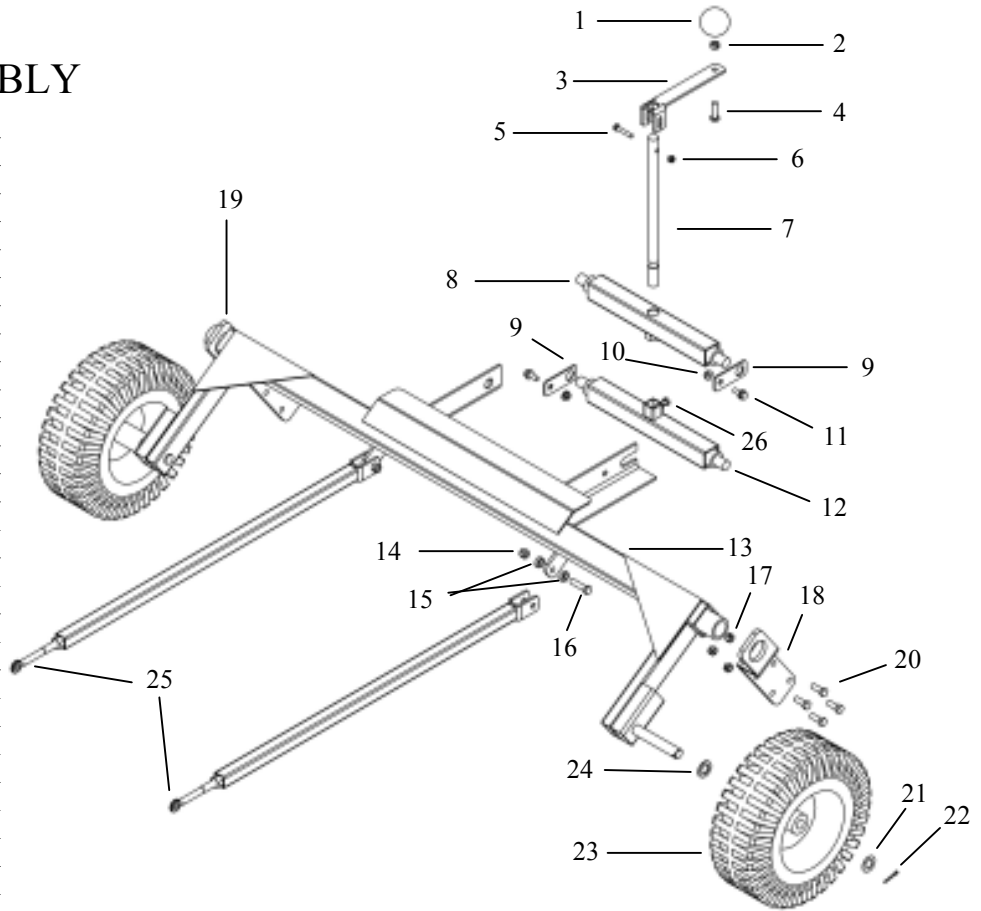
\* = USE PAINT CODE:

TC=TEX.RED,S=SLIVER,TK=TEX.BLACK

# REAR AXLE ASSEMBLY

FIGURE 4

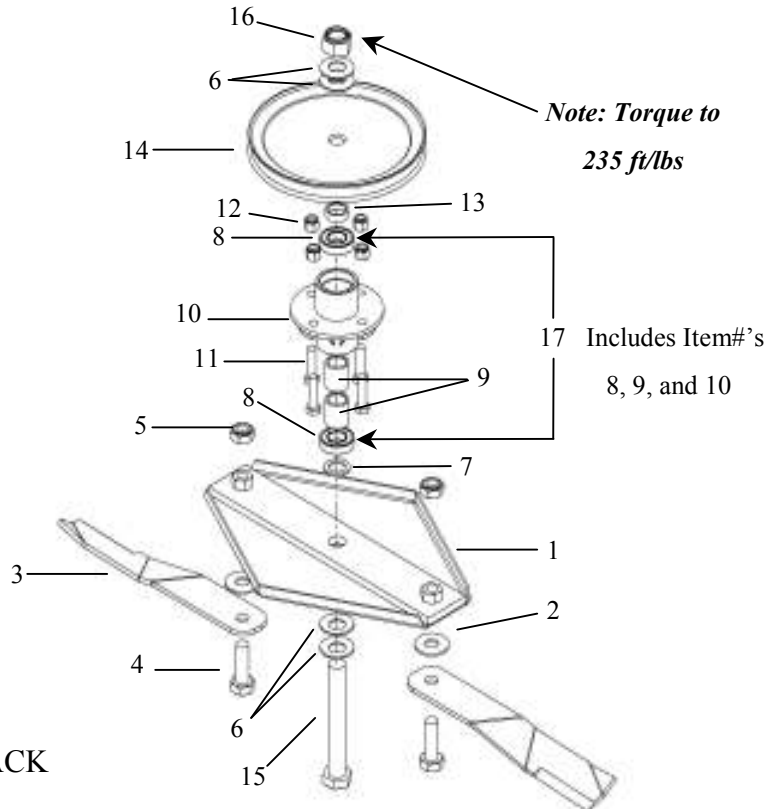
Item #	Description	Part #
1	Plastic Knob - Black	4857
2	3/8-16 2-Way Lock Nut	NB280
3	Height Adjustment Crank	4874TC
4	3/8-16 X 1 1/4 GR5 ZP	NB618
5	1/4-20 X 1 1/2 HCCGR2ZP	NB104Z
6	1/4-20 Nylok Nut	NB180
7	3/4-10 X 13 Stud w/ Groove	4829-010
8	Top Height Adjustment Bar	4850TC
9	Height Adjustment Pin Lock	4827TC
10	5/16-18 Serrated Flange Nut	NB170
11	5/16-18 X 3/4 Serr Flg Bolt	NB596
12	Bottom Height Adjustment Bar	4851TC
13	Rear Torsion Bar	4860TC
14	3/8-16 Nylok Nut Jam	NB207
15	Plastic Bushing	T2PB
16	3/8-16 X 1 1/2 HCC GR5 ZP	NB107
17	3/8-24 Two Way Locknut	NB216
18	Left Rear Height Adj Bracket	4809LTC
19	Right Rear Height Adj Bracket	4809RTC
20	3/8-24 X 1 Bolt	NB238
21	3/4 ID X 1 1/4 OD 18 GA Washer	NB179
22	1/8 X 1 Cotter Pin	NB126
23	Wheel, Tire, Bearings	4834
24	13/16 X 1 1/4 X 1/8 Washer	NB195
25	1/2-13 X 7 3/4 Eye Bolt	10038
26	5/16-18 X 1/2 Serr. Flg Bolt	NB252



# BLADE DRIVER ASSEMBLY

FIGURE 5

Item #	Description	Part #
1	Stump Jumper Weldment	4859TK
2	3/4 Washer ZP	NB179
3	15" Blade	4855
4	3/4-10 X 2 1/2 GR8 Bolt	NB611
5	3/4-10 Nyloc Nut	NB609
6	1"ID X 2"OD X 14GA Bellville Washer	NB738
7	1 X 1 1/2 10GA Washer Hardened PLN	NB614HT
8	Blade Bearing	4845
9	Tube Spacer	4049
10	Blade Driver	4858TK
11	1/2-13 X 2 HCC GR5 ZP	NB509
12	1/2-13 Nyloc Nut	NB281
13	Spacer	BB105SL
14	Blade Pulley- 10.3125"	4846
15	1-8 X 7 1/2" GR8 ZP	NB737
16	1-8 Nyloc Nut ZP	NB612
17	Blade Driver Complete	4872



When ordering replacement parts

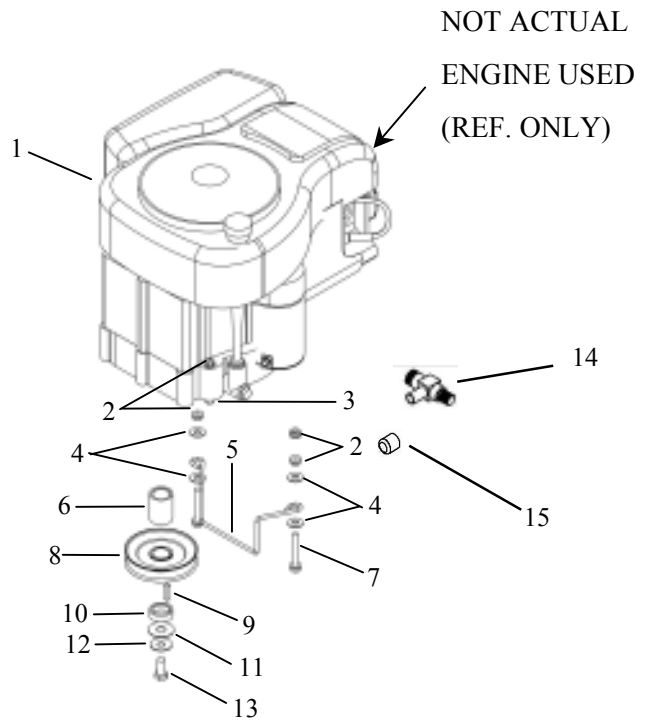
\* = USE PAINT CODE:

TC=TEX.RED,S=SLIVER,TK=TEX.BLACK

# ENGINE PULLEY ASSEMBLY

FIGURE 6

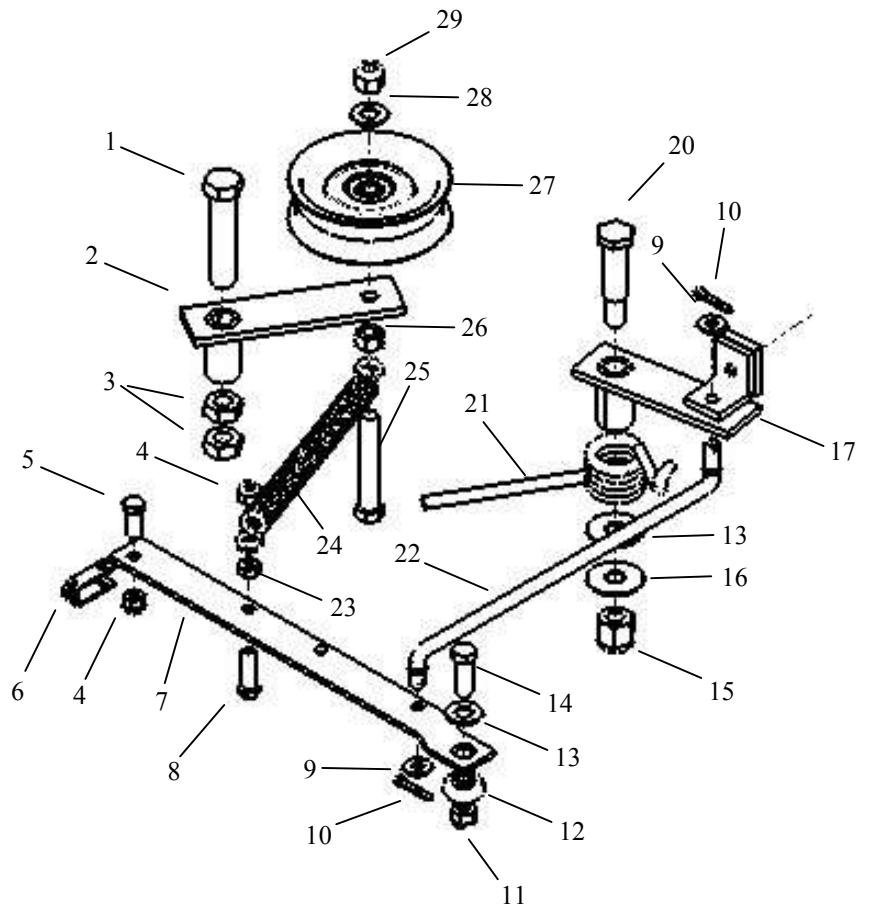
Item #	Description	Part #
1	Engine B&S Recoil St W/Gas Tank	N/A
	Engine B&S 12V St W/Gas Tank	N/A
2	5/16-18 Serrated Flange Nut	NB170
3	5/16-18 X 1 1/4 Serrated Flange Bolt	NB253
4	5/16 USS Flat Washer ZP	NB556
5	RT44 Belt Guide	4867
6	Spacer For Engine Pulley	BB105S
7	5/16-18 X 2 1/4 Flang Serr. GR5 ZP	NB622
8	Engine Pulley- 4.25"OD,1 1/4 ID	BB105
9	1/4 X 1 Key Stock	9031
10	Spacer Lower For Engine Pulley	BB105SL
11	Washer	TR150W
12	Washer Belleville Engine Pulley	699
13	7/16-20 X 1 HCF GR5 ZP	NB452N
14	Oil Drain Valve	AS122
15	Oil Drain Cap	AS123



# BELT ENGAGE CONFIGURATION

FIGURE 7

Item #	Description	Part #
1	1/2-13 X 2 1/2 HCC GR5 ZP	NB510
2	Idler Arm	6681TK
3	1/2-13 2-Way Jam Lock Nut	NB121
4	1/4-20 Nylok Nut	NB180
5	1/4-20 X 3/4 GR5 ZP	NB250
6	Clutch Cable Clevis	9023
7	Belt Engage Arm	4898TK
8	1/4-20 X 1 HCC GR5 ZP	NB102
9	1/4 SAE Washer	NB274
10	5/64 X 3/4 Cotter Pin	NB519
11	5/16-18 Nyloc Nut	NB181
12	Spacer	B99S
13	3/8 Hardened Washer	NB196
14	5/16-18 X 1 HCC GR5 ZP	NB501
15	1/2-13 Nyloc Nut	NB281
16	Washer Belleville	699
17	Brake Arm Assembly	4893
20	1/2 X 1-9/16 Shoulder Bolt	NB220
21	Torsion Brake Spring	9040
22	Brake Rod	4891TK
23	1/4-20 HX Nut ZP	NB139
24	Clutch Rod Spring	682S
25	3/8-16 X 2 1/2 HTC GR5 ZP	NB619
26	3/8-16 HNC GR2 ZP	NB212
27	Idler Pulley OD-3.25", ID-3/8"	B527
28	3/8 SAE Washer	NB272
29	3/8-16 Nyloc Nut	NB182



When ordering replacement parts

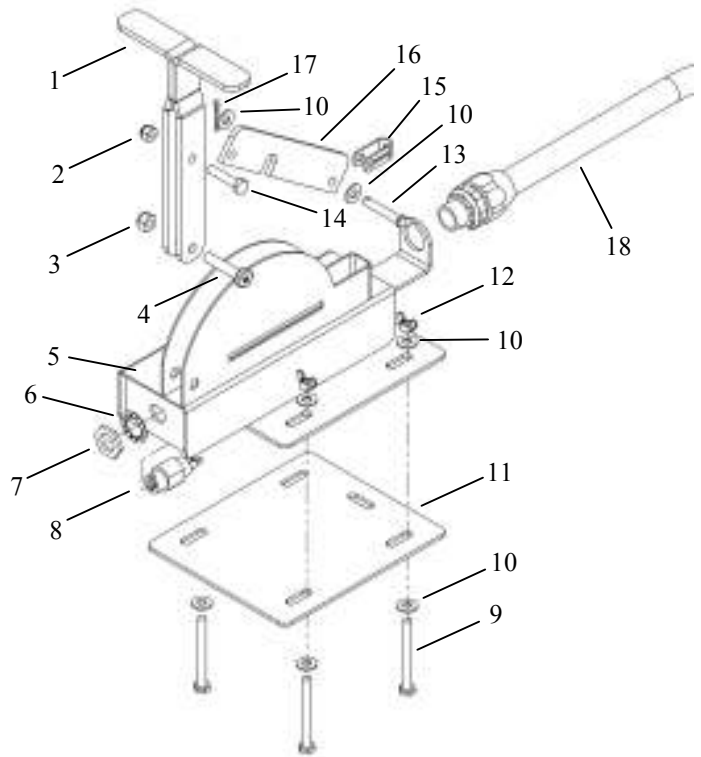
\* = USE PAINT CODE:

TC=TEX.RED,S=SLIVER,TK=TEX.BLACK

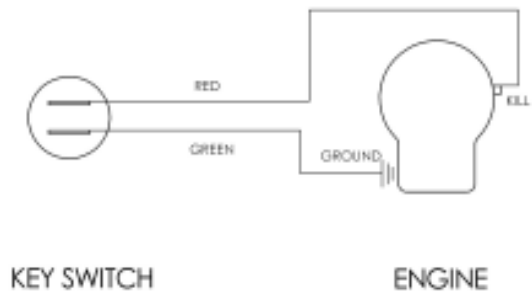
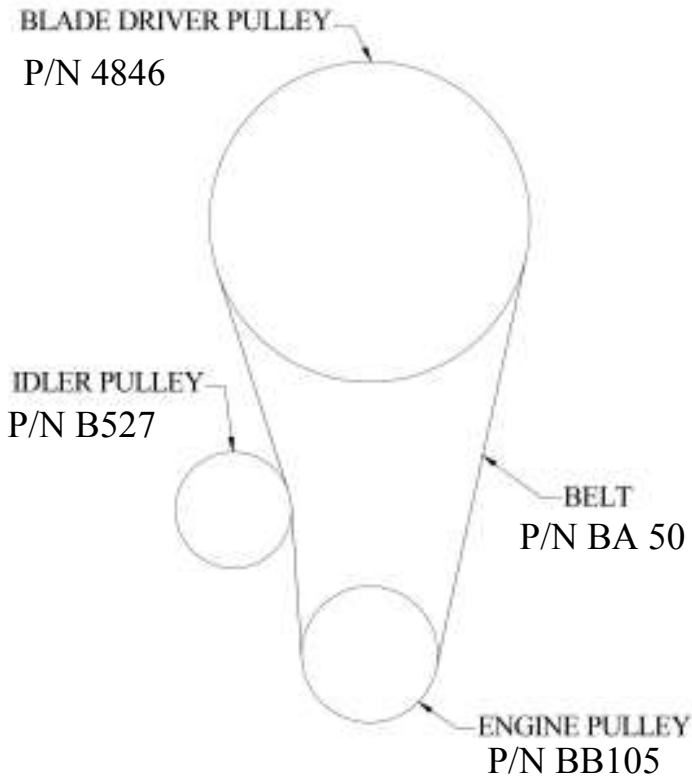
# CONSOLE ASSEMBLY

FIGURE 8

Item #	Description	Part #
1	T Handle for Console	4463TK
2	1/4-20 Nylok Nut	NB180
3	5/16-18 Nyloc Nut	NB181
4	5/16-18 X 1 1/2 Torx Pan ZP	NB591
5	Console Weldment	4575TK
6	Key Switch Lock Washer	9088
7	Key Switch Nut	9087
8	Key Switch ON-OFF, 2 Prong	KSM
	Key Switch	3623
9	1/4-20 X 2 1/2 HCC GR2 ZP	NB141
10	1/4 SAE Washer	NB274
11	Console Mount Plate	4852TK
12	1/4-20 Wing Nut ZP	NB608
13	1/4 X 1 1/2 Clevis Pin	NB518
14	1/4-20 X 1 1/4 HCC GR5 ZP	NB560
15	Clutch Cable Clevis	9023MOD
16	Link for Console	4461TK
17	3/32 X 3/4 Cotter Pin	NB597
18	Wiring Harness B&S	WHRT44BS
	Wiring Harness Console (12V)	WHRT44-1



**CLUTCH CABLE = BR20CC**



## WIRING DIAGRAM

FIGURE 10

## ENGINE PULLEY CONFIGURATION

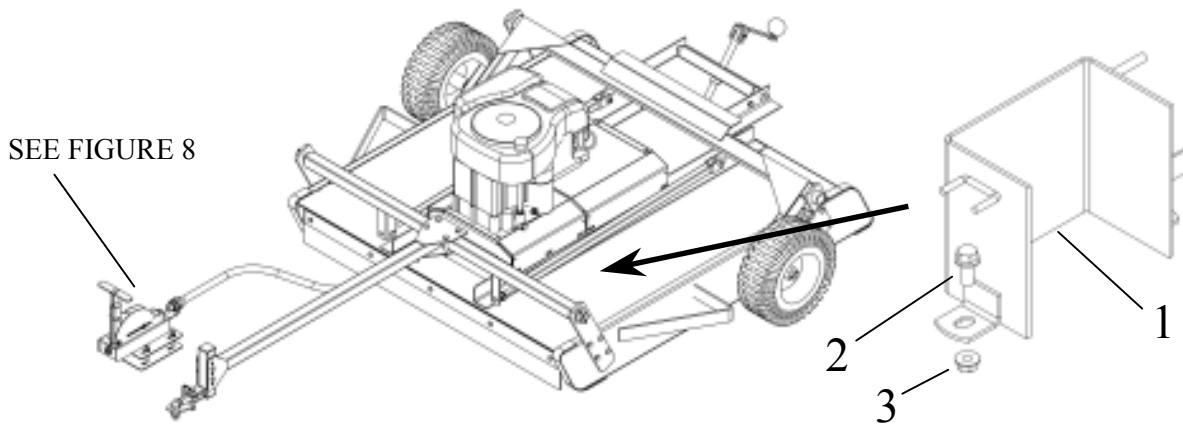
FIGURE 9

When ordering replacement parts

\* = USE PAINT CODE:

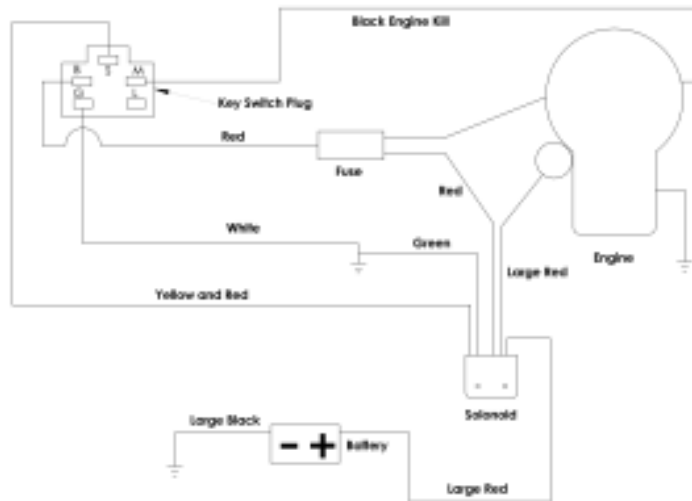
TC=TEX.RED,S=SLIVER,TK=TEX.BLACK

# Rough Cut 44 12 Volt Start Replacement Parts



Item #	Description	Part #
1	Battery Bracket Weldment	4909TK
2	5/16-18 X 3/4 Serr Flg Bolt	NB596
3	5/16-18 Serrated Flange Nut	NB170
Not Shown	M6-1.0 Nut Yellow Zinc	NB600
Not Shown	Solenoid Assembly	9043
Not Shown	Battery Hold Down, 15" Tarp Strap	BHOLD
Not Shown	Battery Cable (Black 10")	BCS
Not Shown	Battery Cable (10" Red)	BCSR
Not Shown	Battery Cable Small Rubber Boot	BCBT
Not Shown	Lower Wiring Harness	11764
Not Shown	Battery Pad	BATPAD

WIRING DIAGRAM  
FIGURE 11



When ordering replacement parts

\* = USE PAINT CODE:

TC=TEX.RED,S=SLIVER,TK=TEX.BLACK



swisherinc.com

## OWNER'S MANUAL

**MODEL NO.  
POLB10544HD  
RTB105441  
RTB1254412V**

## 44" ROUGH CUT TRAILMOWER

Each mower has its own model number. Each engine has its own model number. The model number for the mower will be found on the right hand side of the motor mount. The model number for the engine will be found on the top of the blower fan housing.

All mower parts listed herein may be ordered directly from Swisher Mower & Machine Co. Inc. or your nearest Swisher dealer.

All engine parts may be ordered from the nearest dealer of the engine supplied with your mower.

WHEN ORDERING PARTS, PLEASE HAVE THE FOLLOWING INFORMATION AVAILABLE:

- \* PRODUCT - TRAILMOWER
- \* SERIAL NUMBER - \_\_\_\_\_
- \* MODEL NUMBER - \_\_\_\_\_
- \* ENGINE MODEL NUMBER - \_\_\_\_\_
- TYPE - \_\_\_\_\_
- \* PART NUMBER
- \* PART DESCRIPTION

TELEPHONE - 1-800-222-8183

FAX - 1-660-747-8650

**SWISHER MOWER & MACHINE CO. INC.**

1602 CORPORATE DRIVE P.O. BOX 67

WARRENSBURG, MO 64093

www.swisherinc.com



SWISHER MOWER & MACHINE CO. INC.

PRINTED IN U.S.A.