



OWNER'S MANUAL

STARTING SERIAL #
L101-344001

MODEL NO.

T1360B1

T1360T

T1360H

T1360K

T13560

RK1360

T14560

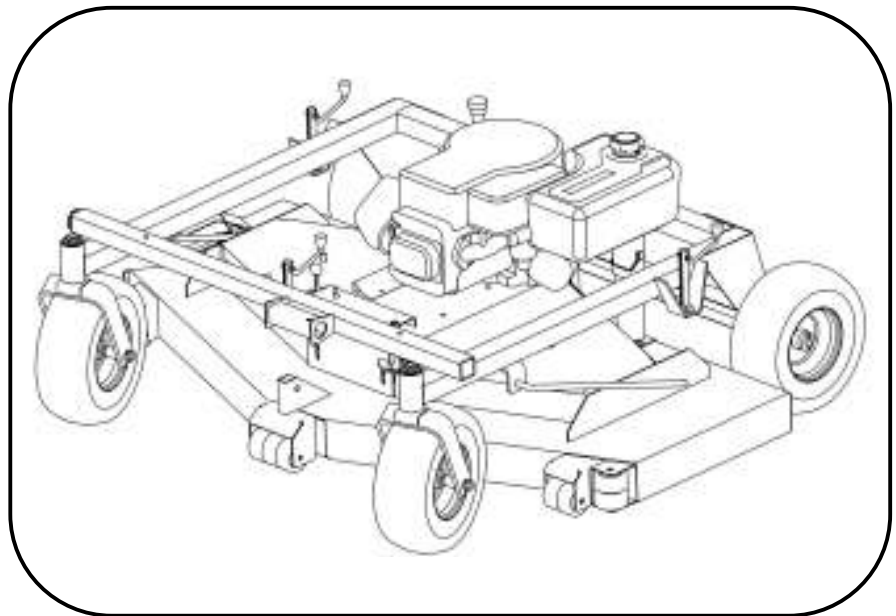
T17560



IMPORTANT

Read and follow all
Safety Precautions
and Instructions
before operating this
equipment.

Rev: 05-007



60" FINISH CUT TRAILMOWER



Assembly
Operation
Service and Adjustment
Repair Parts



SAFETY DECALS

Replace decals immediately if damaged. Order by part number from Swisher Mowers



OD45- Warning Decal



OD11- No step Decal



OD55- Triangle Danger Decal



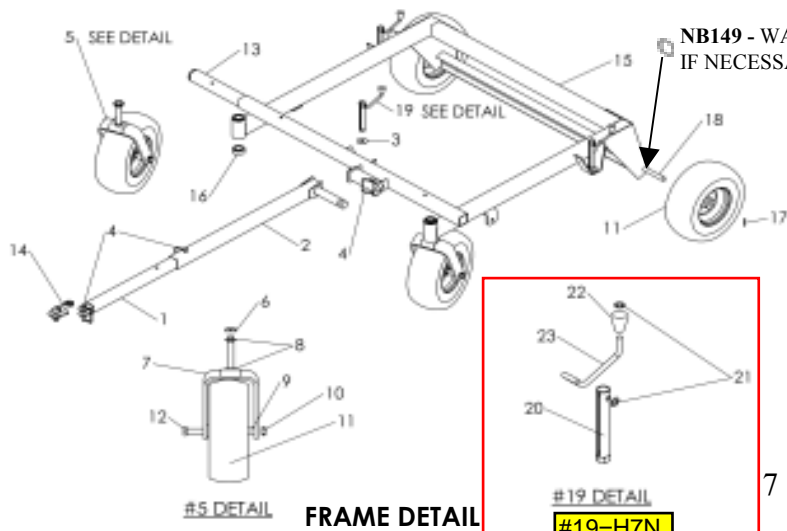
OD43- Flying Debris Decal



OD33- Speed Decal



OD29- Danger Decal

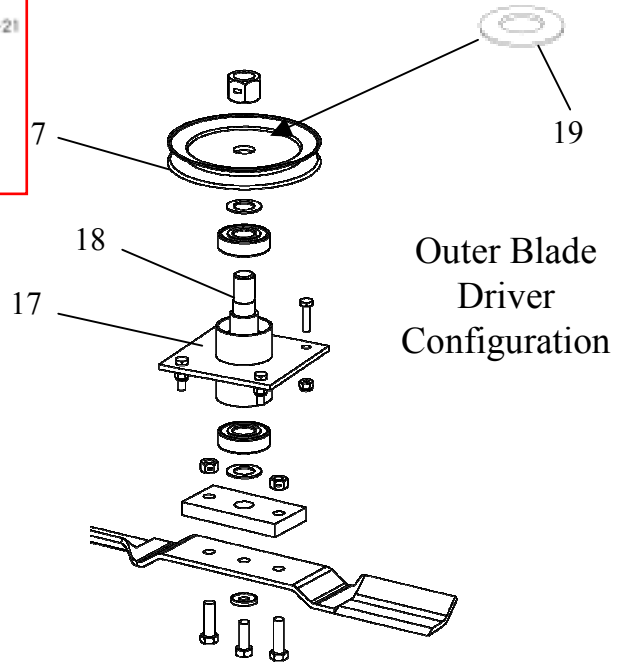


NB149 - WASHER
IF NECESSARY

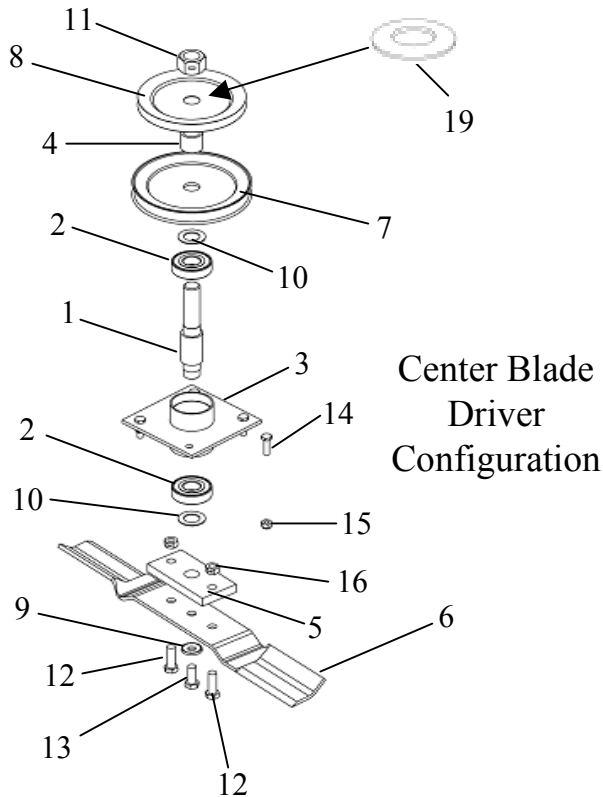
#5 DETAIL FRAME DETAIL

#19 DETAIL
#19=H7N

ITEM #	DESCRIPTION	PART #
1	TOMBLE HITCH	661 *
2	SOLID STOCK HITCH	661A *
3	WASHER	NB177
4	SAFETY HITCH PIN	H11
5	CASTERWHEEL ASSEMBLY	6774 *
6	3/8-16 JAM LOCK NUT	NB122
7	CASTER FORK	665TC
8	WASHER	NB195
9	WHEEL SPACER	663L
10	5/8-11.2 WAY LOCK NUT	NB595
11	WHEEL TRIGGER	F4157W
12	5/8-11.2 BOLT	NB624
13	EXTENSION HITCH	952 *
14	SWAYL HITCH	H10
15	FRAME	6014 *
16	BEARING	B98
17	OUTER PIN	NB126
18	REAR AXLE	6034
19	HEIGHT ADJUST HANDLE	H7N
20	HOUSING TUBE	H7N1TK
21	5/16 BALL NUT	NB276
22	PLASTIC KNOB	H7K
23	CRANK ARM	E6214
N5	HEIGHT INDICATOR	DCM1
*	USE PAINT CODE: TC=RED, TK=BLACK	EX: 6014TC,6014TK



Outer Blade
Driver
Configuration

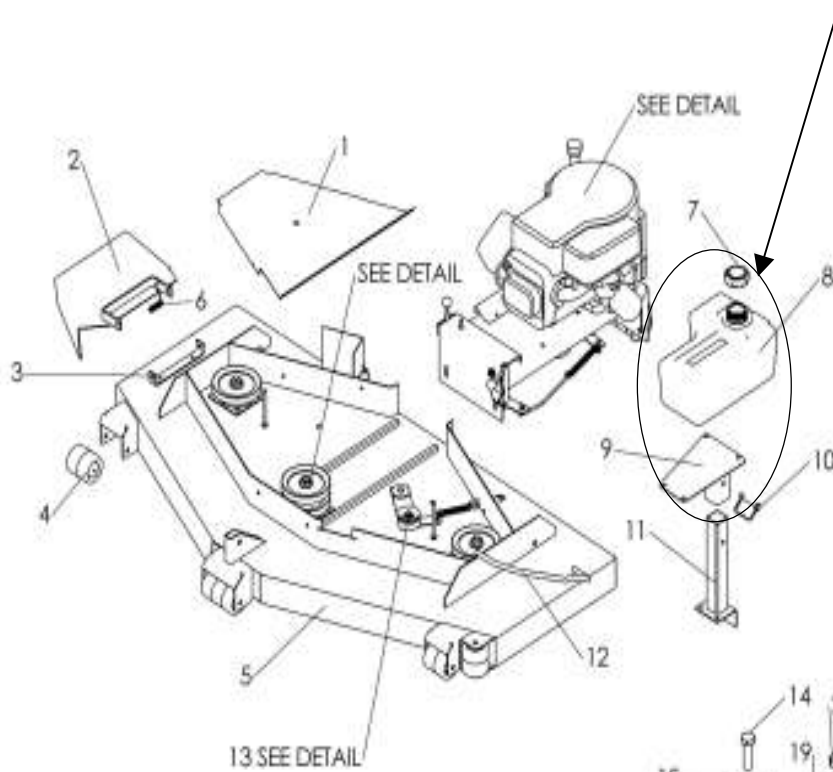


Center Blade
Driver
Configuration

Blade Driver Assy.
9058- 5.75" (Center Shaft)
9018- 4.25" (Outer Shafts)

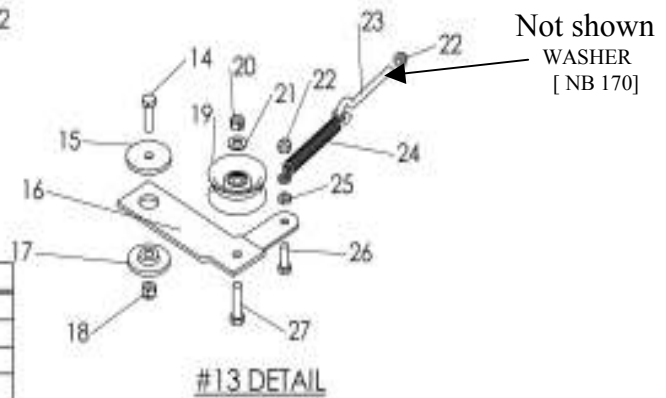
Item No.	Description	Part #
1	Center Shaft	9054
2	Blade Bearing	B98
3	Bearing Housing	9057TK
4	Pulley Spacer	6065PM
5	Blade Mount Plate	9008
6	20 1/2 "Blade	9004
7	Blade Pulley- 5.5"	6114
8	Blade Pulley- 5.5"	6114
9	SP Washer Bellm. PLN .413 X .945 X .118	NB-607
10	3/4 ID X 1 1/4 OD 18 GA Washer	NB-179
11	3/4-16 Jam Nut	NB-175
12	3/8-24 X 1 1/4 HCC GR5 ZP	NB-238
13	3/8-24 X 1 Engine Bolt Locktite	NB-238N
14	1/4-20 X 1"- Bolt	NB-250
15	1/4-20 Serr.Flange Bolt	NB-524
16	3/8-24 2-Way Lock Nut	NB-216
17	Housing Blade Bearing Short	B99EC
18	Blade Shaft 4.25"- Short Shoulder	9076
19	Belleville Washer	AS155

GAS TANK ASSEMBLY



TANK ASSEMBLY / UNIT MODEL
PART #

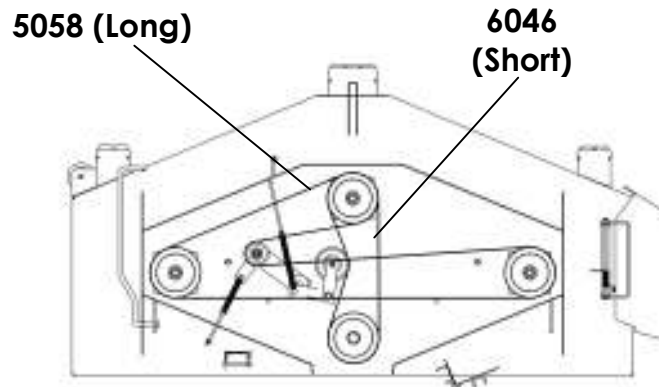
- #6059 — POL14560B
POL14560C
RK1360
T13560
T13560B1
T1360T
T17560
T1360B1
- #6059H — T1360H
- #6080 — T1360K



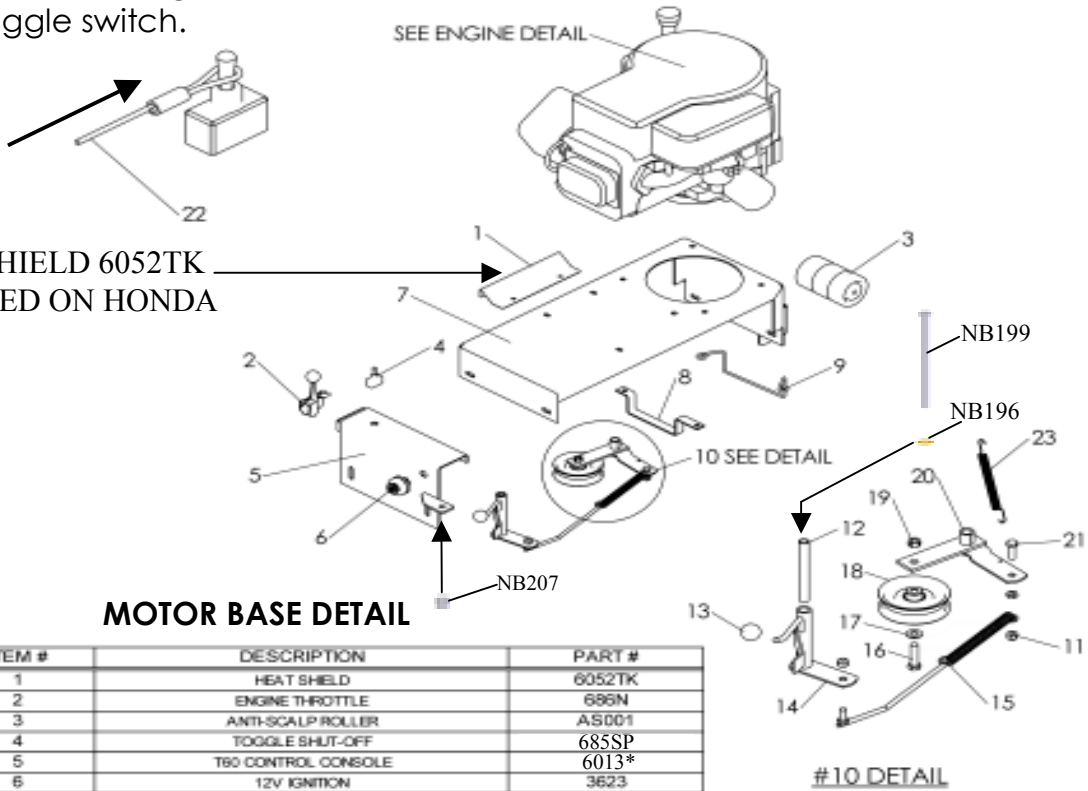
MOWER DECK DETAIL

ITEM #	DESCRIPTION	PART #
1	BELT COVER	6025TK
2	GRASS CHUTE	6039TK
3	CHUTE BRACKET	6030TK
4	ANTI SCALP ROLLER	AS001
5	DECK WELDMENT	6027*
6	CHUTE SPRING	9100
7	GAS CAP	6102NC
8	GAS TANK	6102T
9	TANK BRACKET	6049TK
10	HITCH PIN	H11
11	GAS TANK STAND	6044TK
12	SWAY BAR	3864 & 3865
13	BELT TENSION IDLER	6055
14	3/8-16 X 1 1/4 BOLT	NB618
15	SPACER	6040
16	IDLER ARM	6054TK
17	BUSHING	6037
18	3/8-16 NYLON NUT	NB182
19	IDLER PULLEY	B527
20	3/8-16 2 WAY LOCK NUT	NB280
21	3/8 WASHER	NB272
22	5/16-18 NYLON NUT	NB181
23	5/16-18 EYE BOLT	NB315
24	TENSION SPRING	TZ2S
25	5/16-18 NUT	NB173
26	5/16-18 X 1 BOLT	NB501
27	3/8-16 X 1 1/2 BOLT	NB107
*	USE PAINT CODE: TC=RED, TK = BLACK	EX: 6060TC, 6060TK

BELT CONFIGURATION



Slide plastic tube snug against toggle switch.



MOTOR BASE DETAIL

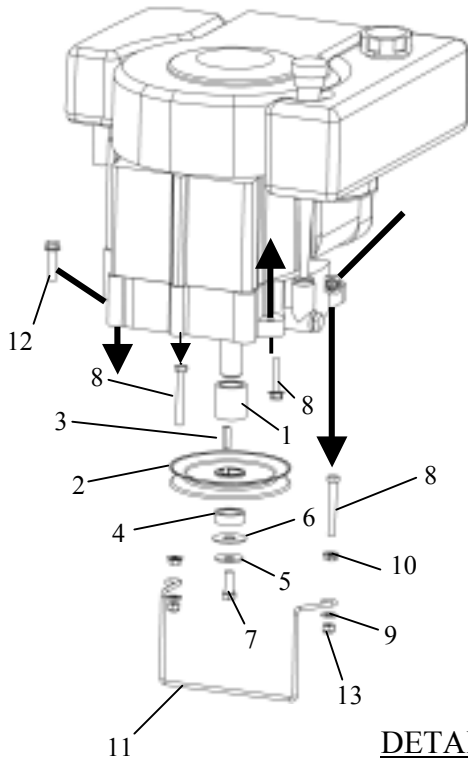
ITEM #	DESCRIPTION	PART #
1	HEAT SHIELD	6052TK
2	ENGINE THROTTLE	686N
3	ANTI-SCALP ROLLER	A5001
4	TOGGLE SHUT-OFF	685SP
5	T80 CONTROL CONSOLE	6013*
6	12V IGNITION	3623
7	T80 MOTOR BASE	6003 *
8	BELT GUIDE	6066
9	BELT GUIDE	6000
10	TOP IDLER ASSEMBLY	6056
11	5/16-18 NYLOK NUT	NB181
12	ENGAGE BUSHING	6713
13	PLASTIC KNOB	B19BLACK
14	ENGAGE LEVER	6008TK
15	ENGAGE ROD ASSEMBLY	6057
16	3/8-16 X 1 1/2 BOLT	NB107
17	WASHER	NB272
18	IDLER PULLEY	B527
19	3/8-16 TWO WAY LOCK NOT	NB280
20	TOP IDLER WELDMENT	6009TK
21	5/16-18 X 1 BOLT	NB501
22	SAFETY TETHER	H9C
23	RETURN SPRING	T25M
*	USE PAINT CODE: TC=RED, TK=BLACK	EX: 6003TC, 6003TK

PARTS NOT SHOWN

Description	Part #
WIRING HARNESS [BRIGGS]	WHN60B2
WIRING HARNESS [TECUMSEH]	WH60T01
BATTERY [U 1 R]	SOLD SEPARATELY
BATTERY CABLE- RED	BCSR
BATTERY CABLE- BLACK	BCLB
SOLENOID	9043
BATTERY STRAP	BHOLD
KEYS	KSK
BATTERY CABLE BOOTS	BCBT
WIRING HARNESS [HONDA]	WHN60H2
WIRING HARNESS [KOHLER]	WHN60K2

ENGINE DETAIL

BRIGGS / TECUMSEH > DETAIL - 1



DETAIL - 2

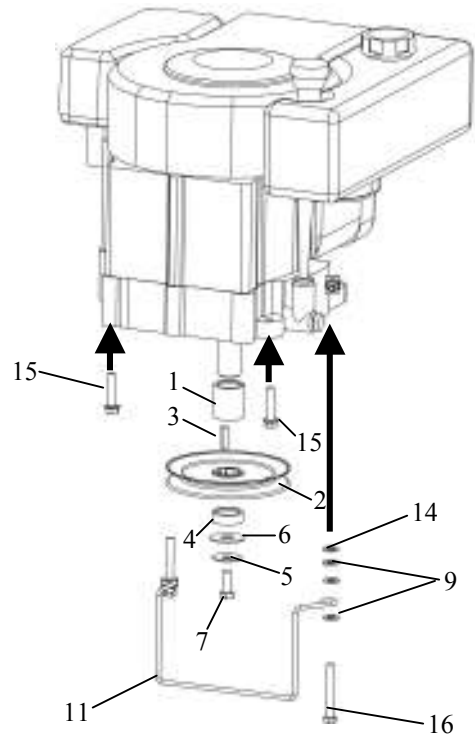
Item No.	Description	Part #
14	SP WASHER BELLVL. PLN.	NB607
15	M8-1.25 X 25 FLG BOLT	NB728
16	M8-1.25 X 55 ZP. BOLT	NB721

DETAIL - 1

Item No.	Description	Part #
1	UPPER SPACER	689L
2	5-1/2" ENGINE PULLEY	688
3	1/4" X 1" KEY STOCK	9031
4	LOWER SPACER	689S
5	3/8 BELLEVILLE WASHER	699
6	FLAT WASHER	TR150W
7	3/8-24 X 1 BOLT [BRIGGS]	NB452N
	7/16-20 X 1 BLOT [TECUMSEH]	NB238N
8	5/16-18 X 1-3/4 BOLT	NB515
9	5/16 USS WASHER	NB275
10	5/16-18 Flge NUT	NB170
11	BELT GUIDE	6000
12	5/16-18 X 1 1/4 FLG.BOLT	NB253
13	5/16-18 NYLOCK NUT	NB181

ENGINE DETAIL

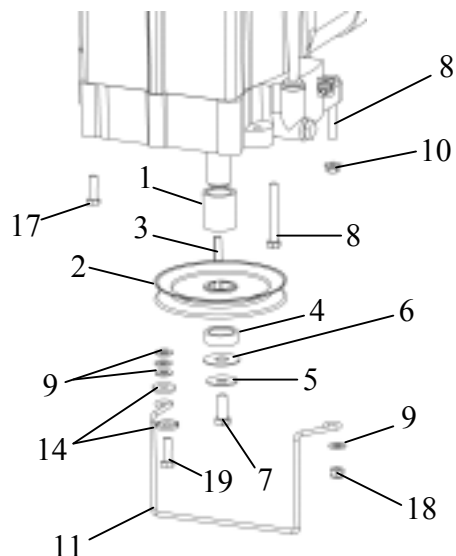
KOHLER > DETAIL - 2



DETAIL - 3

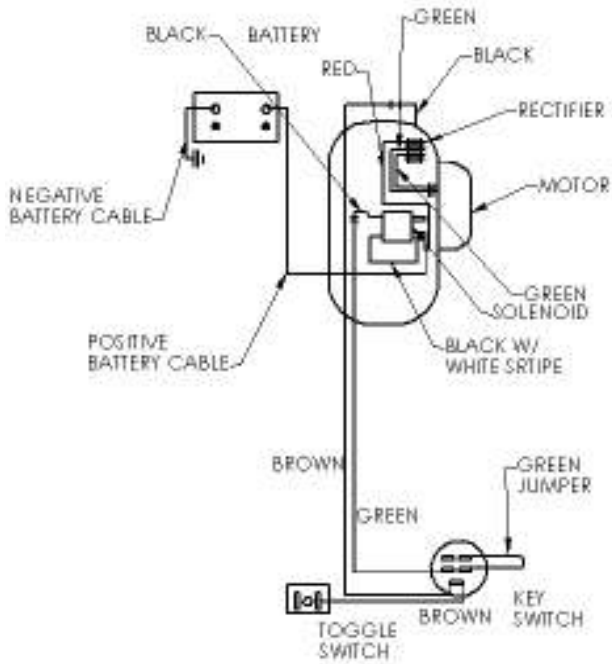
Item No.	Description	Part #
17	5/16-24 X 1" BOLT	NB451
18	5/16-18 NYLOCK NUT	NB181
19	5/16-24 x 1-1/2" BOLT	NB233

ENGINE DETAIL HONDA > DETAIL - 3

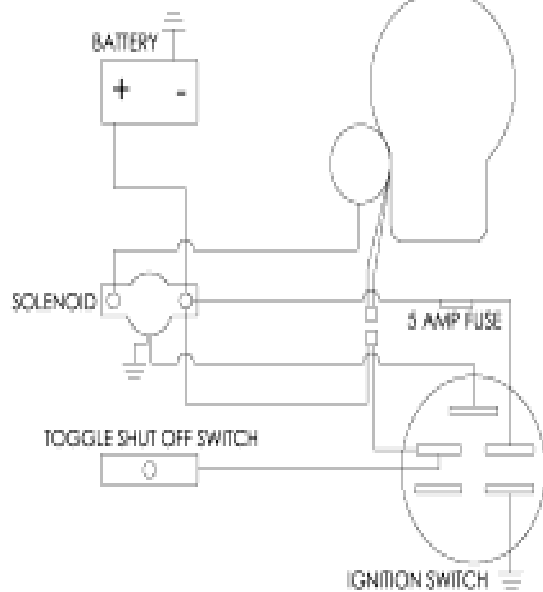


WIRING SCHEMATICS

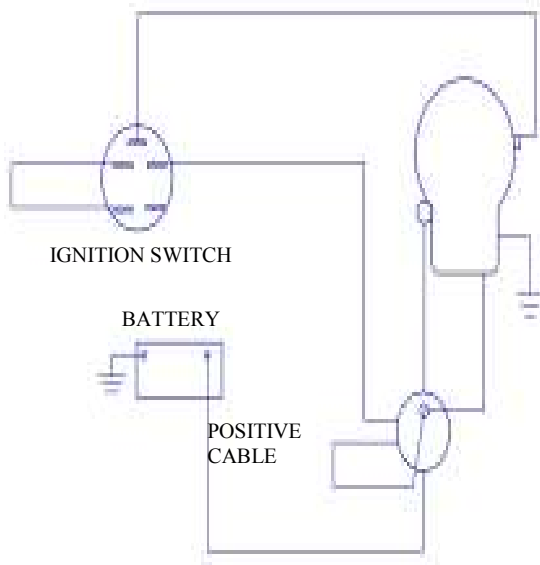
HONDA ENGINES



TECUMSEH ENGINES



KOHLER ENGINES



BRIGGS & STRATTON ENGINES

