

**SWLSHER**

# OWNER'S MANUAL

## MODEL NO.

ST50022STDQ

ST60022Q

ST60022DXQ12RK

ST65022Q

ST65022DXQ

ST6002212V



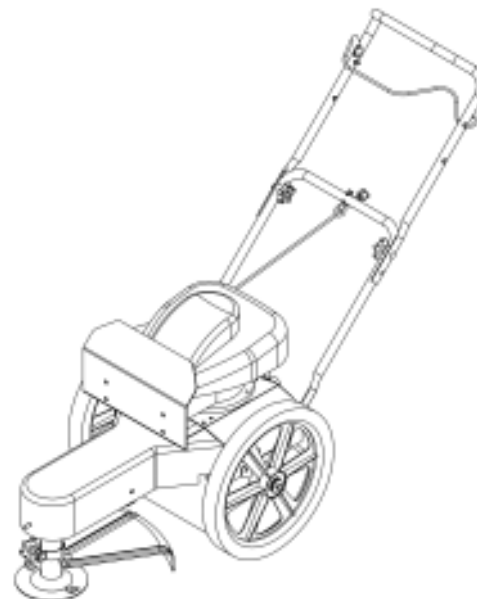
**IMPORTANT**  
Read and follow all  
Safety Precautions  
and Instructions  
before operating this  
equipment.

Rev 04-096



## Trim-N-Mow

## Trim-Max



**Assembly  
Operation  
Service and Adjustment  
Repair Parts**

**SWLSHER**



The operation of any cutter can encounter foreign objects to be thrown into the eyes, resulting in severe eye damage. Always wear certified safety glasses or wide-vision safety goggles for over spectacles before starting any cutting machine and while operating such a machine.



The operation of any cutter produces sound waves that are damaging to the human ear. Ear protection is recommended.



**CAUTION!**

Tragic accidents can occur if the operator is not alert to the presence of children. Children are often attracted to the machine and the mowing activity. *Never assume that children will remain where you last saw them.*



Do not operate the trimmer if it vibrates abnormally. Excessive vibration is a sign of Damage. Stop the engine and safely check for damage and repair as required

<b>CAUTION</b>	<b>IMPORTANT</b>
ADJUST STRING SHIELD TO KEEP DEBRIS FROM COMING BACK TOWARD OPERATOR.	DO NOT CHANGE HEAD POSITION WHILE RUNNING

Caution Notice Decal  
OD67

TRIMMER HEAD	
TILT	OFFSET
<p>LOOSEN</p>	<p>LIFT</p>
<p>TRIM</p> <p>EDGE</p>	

Trimmer Head  
Instruction Decal  
OD68

**SWISHER**  
**TRIM-MAX™**

**WARNING**

AVOID SERIOUS INJURY OR DEATH

- DO NOT OPERATE WHEN CHILDREN OR OTHERS ARE AROUND. REMOVE OBJECTS THAT COULD BE THROWN BY THE CUTTING LINES.
- WEAR SAFETY APPROVED EYE PROTECTION WHEN OPERATING.
- DO NOT SERVICE OR ADJUST CUTTING HEAD OR OTHER MOVING PARTS UNLESS ENGINE IS STOPPED AND SPARK PLUG WIRE IS DISCONNECTED.
- KEEP SAFETY DEVICES, SUCH AS GUARDS AND DEFLECTORS, IN PLACE AND OPERATING.
- GO ACROSS SLOPES NOT UP AND DOWN.
- LOOK DOWN AND BEHIND BEFORE AND WHILE MOVING BACKWARDS.
- READ AND FOLLOW OWNER'S MANUAL.

Trim-Max Decal  
OD64

**SWISHER**  
**TRIM-N-MOW**

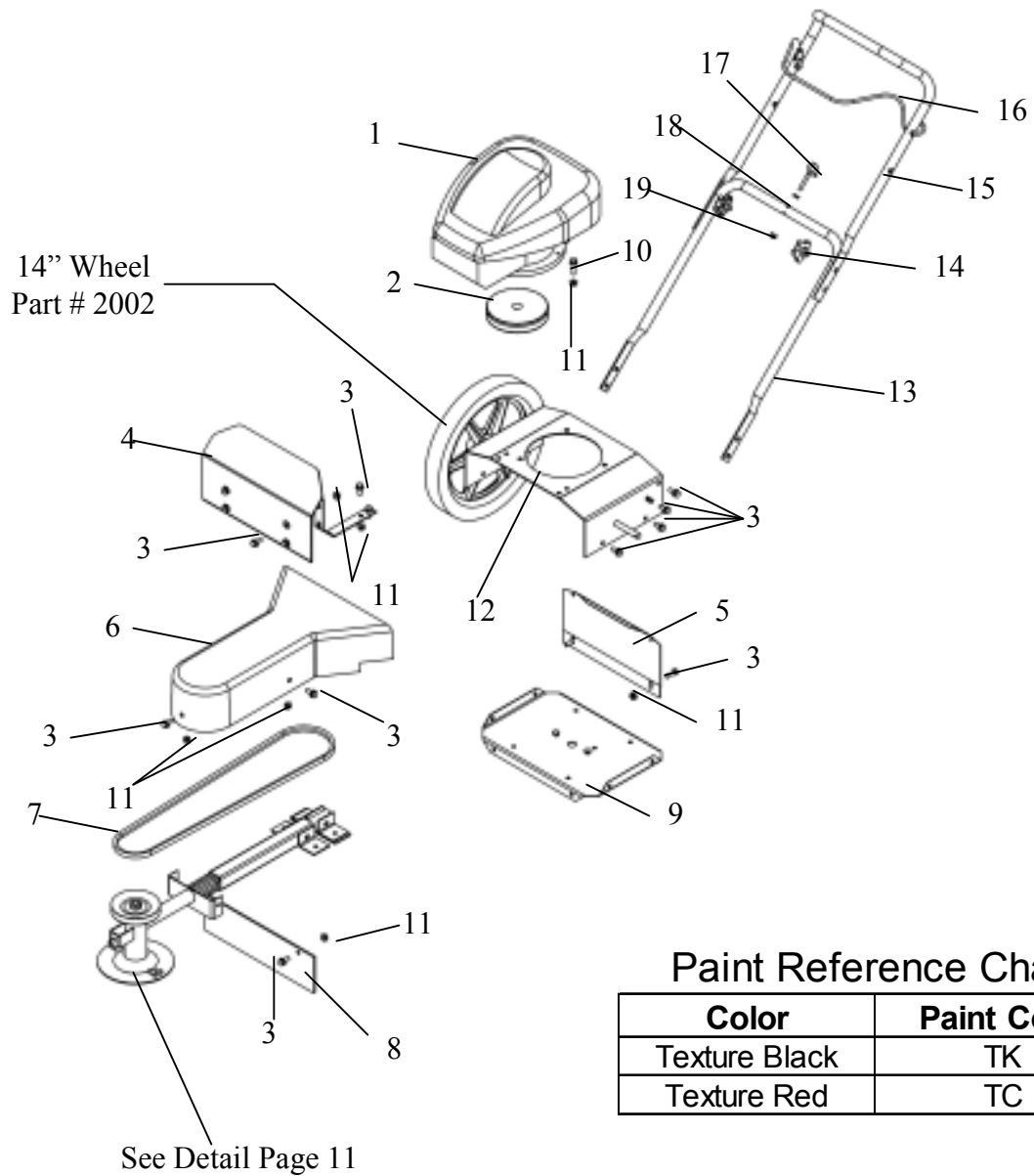
**WARNING**

AVOID SERIOUS INJURY OR DEATH

- DO NOT OPERATE WHEN CHILDREN OR OTHERS ARE AROUND. REMOVE OBJECTS THAT COULD BE THROWN BY THE CUTTING LINES.
- WEAR SAFETY APPROVED EYE PROTECTION WHEN OPERATING.
- DO NOT SERVICE OR ADJUST CUTTING HEAD OR OTHER MOVING PARTS UNLESS ENGINE IS STOPPED AND SPARK PLUG WIRE IS DISCONNECTED.
- KEEP SAFETY DEVICES, SUCH AS GUARDS AND DEFLECTORS, IN PLACE AND OPERATING.
- GO ACROSS SLOPES NOT UP AND DOWN.
- LOOK DOWN AND BEHIND BEFORE AND WHILE MOVING BACKWARDS.
- READ AND FOLLOW OWNER'S MANUAL.

Trim-N-Mow Decal  
OD65

# Trim-N-Mow



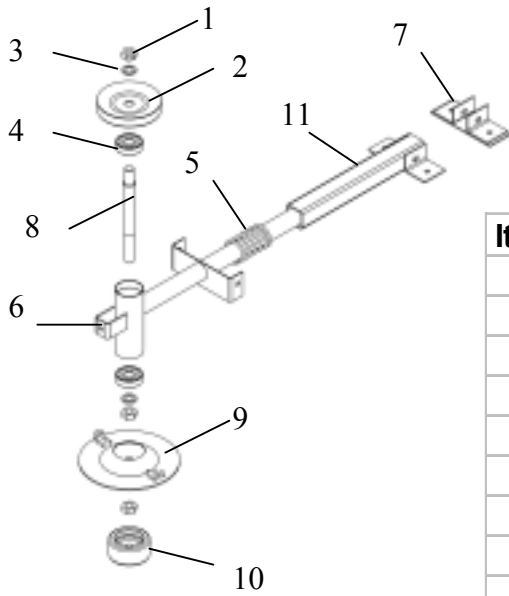
## Paint Reference Chart

Color	Paint Code
Texture Black	TK
Texture Red	TC

Item #	Description	Part #
1	Briggs & Stratton Engine	N/A
2	Trimmer Pulley & Washer	2065
3	5/16-18 X 3/4 Serr Flg Bolt	NB596
4	Metal Debris Shield	2092
5	Rear Cover	2026
6	Belt Guard	2019
7	Blade Belt	2113
8	Rubber Shield	2027
9	Lower Motor Base	2006
10	5/16-18 X 1 1/4 Serrated Flange Bolt	NB253
11	5/16-18 Serrated Flange Nut	NB170
12	Upper Motor Base	2005

Item #	Description	Part #
13	Lower Handle	2089
14	Black Plastic Knob	2030
15	Upper Handle	2016
16	Operator Presence Bail	2020
17	Rope Guide	2046
18	5/16-18 Jam Nut	NB173
19	5/16-18 Nyloc Nut	NB181
Not Shown	5/16-18 X 2 Carriage Bolt	NB590
Not Shown	3/8-24 X 1 Engine Bolt Locktite	NB238N
Not Shown	SP Washer BelM. PLN .413 X .945 X .118	NB607
Not Shown	5/16-18 X 1 1/4 Serrated Flange Bolt	NB253
Not Shown	Operator Presence Cable	2034B

## Trimmer Head Assembly for Standard



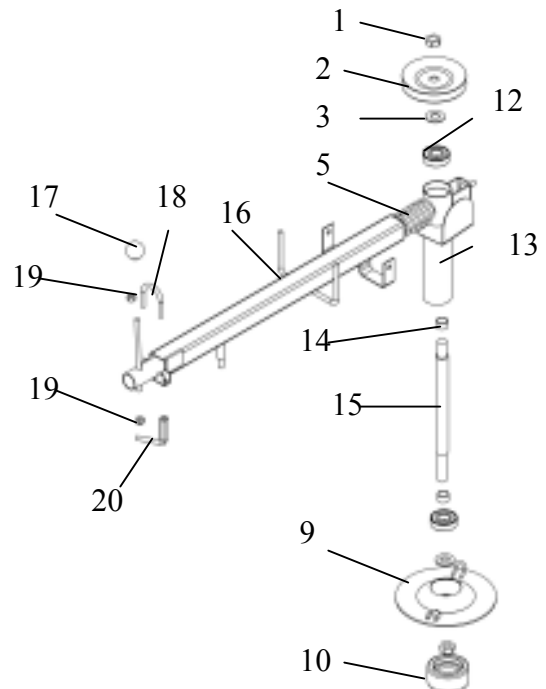
Item #	Description	Part #
1	5/8-11 2 Way Lock Jam Nut	NB595
2	Blade Pulley- 4.5"	2049
3	5/8 ID X 1 OD 14 GA Washer	NB149
4	Blade Bearing	B985-8
5	Compression Spring	2033
6	Head Weldment	SUBSTD-A
7	Std Trimmer Stabilizer Weldment	2032
8	Spinner Shaft	2024
9	Trimmer Spinner Disc Weldment	2021
10	Threaded Roller	2035
11	Trimmer Slide Weldment	2007

### Paint Reference Chart

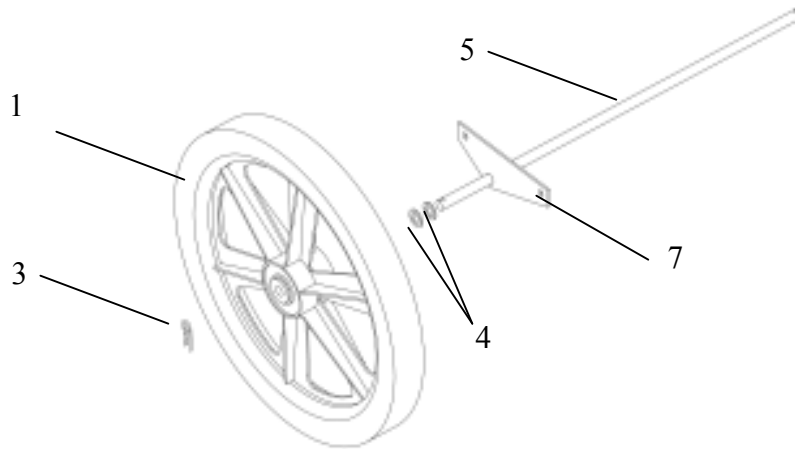
Color	Paint Code
Texture Black	TK
Texture Red	TC

## Trimmer Head Assembly for Deluxe and 12V Deluxe

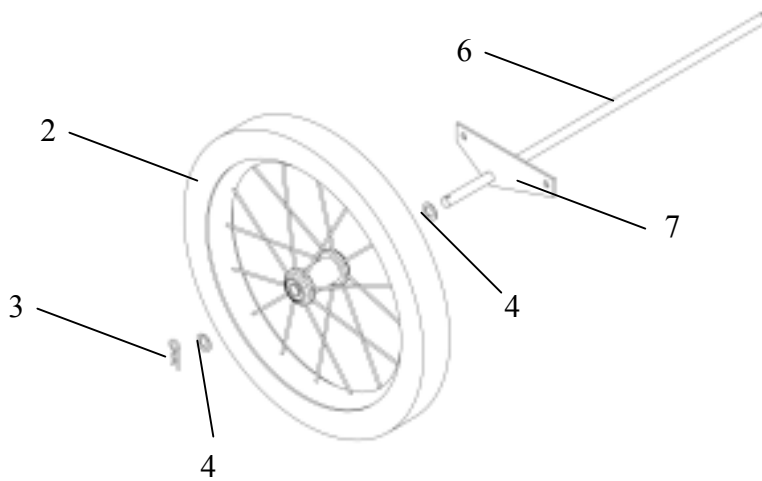
Item #	Description	Part #
12	Blade Bearing	B98
13	Head Weldment	2110
14	Bearing Sleeve	2023
15	Spinner Shaft	2124
16	Trimmer Slide Weldment	2107
17	Knob - Yellow	2079
18	Tilt Clamp U Bolt	2075
19	5/16-18 Nyloc Nut	NB181
20	Handle Assembly	2080



# Trim-Max Axle Setup



**Deluxe Axle**



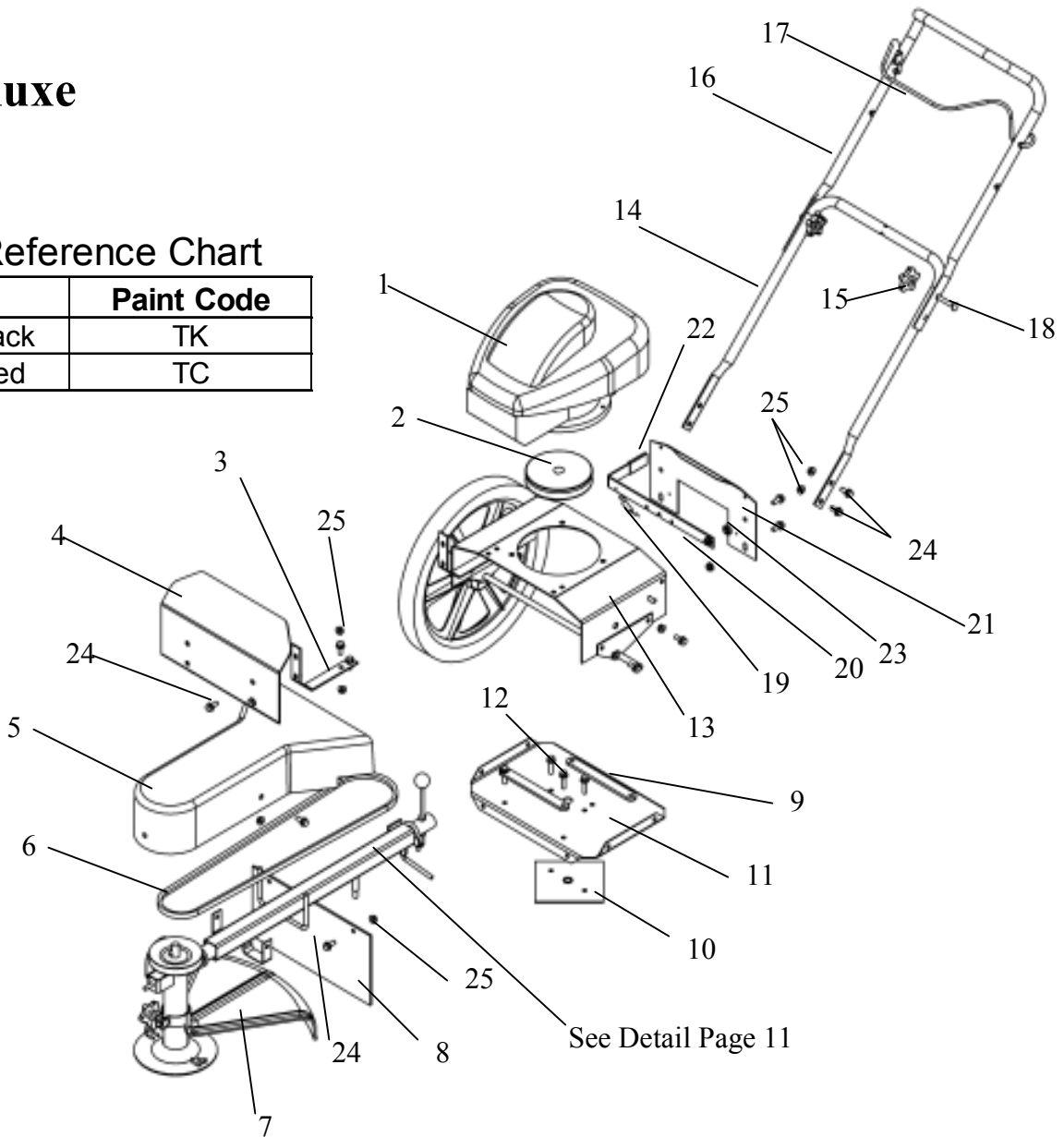
**12 Volt Deluxe Axle**

Item #	Description	Part #
1	16" Wheel	2003
2	16" Steel Spoke Wheel	2094
3	#3 Hair Pin	NB127
4	1/2 USS Flat Washer ZP	NB555
5	Axle	2025
6	Axle (Zinc Plated)	2093Z
7	Axle Plate	2106

# Deluxe

## Paint Reference Chart

Color	Paint Code
Texture Black	TK
Texture Red	TC



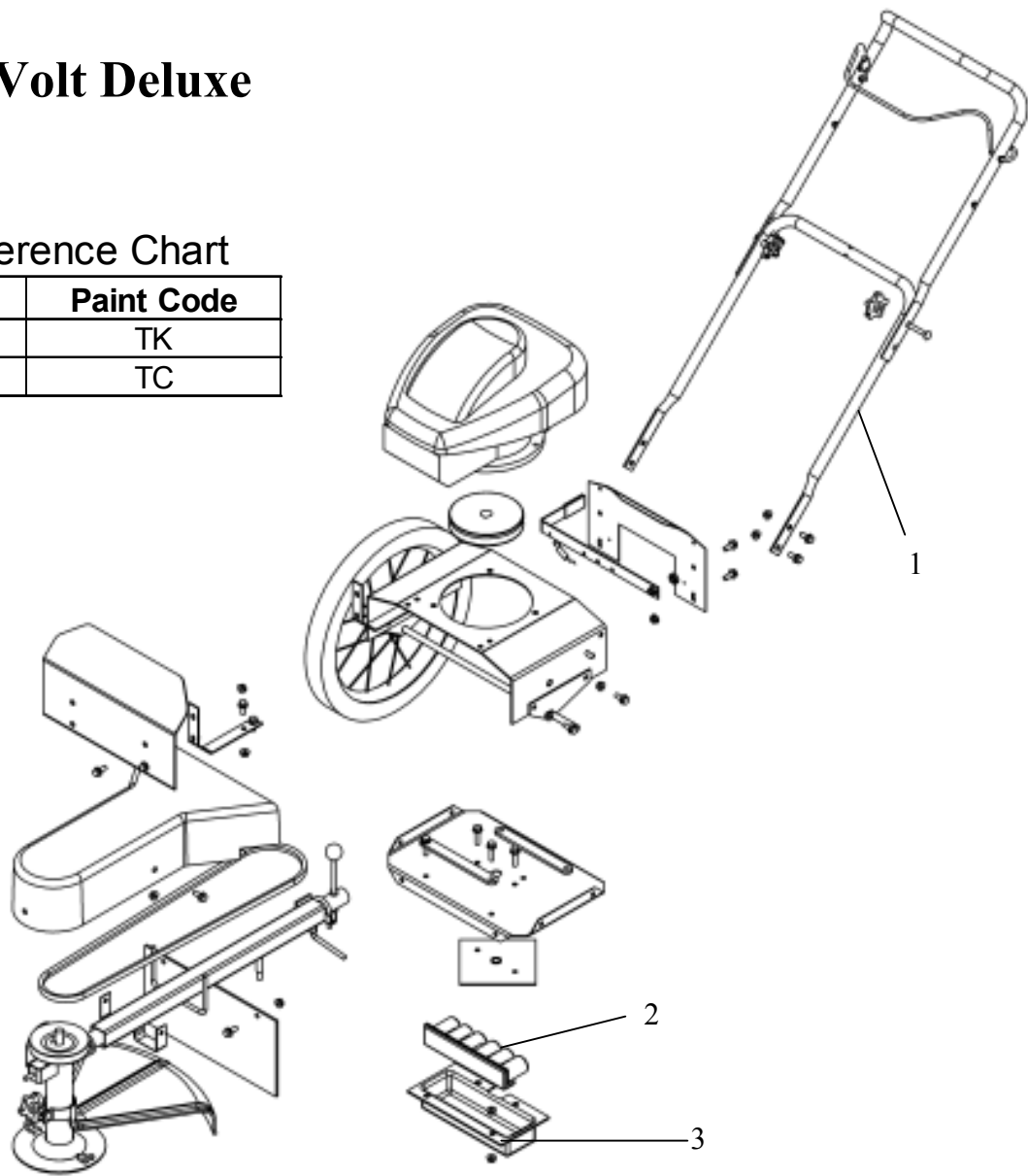
Item #	Description	Part #
1	Briggs & Stratton Engine	N/A
2	Engine Pulley- 6"	2065
3	Shield Strap	2018
4	Acrylic Shield	2017
5	Belt Guard	2119
6	Blade Belt	2113
7	Lower Shield Sub Assy.	2076
8	Rubber Shield	2127
9	Wear Strip	2116
10	Pivot Plate Weldment	2073
11	Lower Motor Base	2006
12	5/16-18 X 1 1/4 Serrated Flange Bolt	NB253
13	Upper Motor Base	2005
14	Lower Handle	2015
15	Black Plastic Knob	2030

Item #	Description	Part #
16	Upper Handle	2016
17	Operator Presence Bail	2020
18	5/16-18 X 2 Carriage Bolt	NB590
19	Spring	2069
20	Pivot Stop	2040
21	Rear Cover	2126
22	Handle Grip, Pivot	2077
23	Spacer	B99S
24	5/16-18 X 3/4 Serr Flg Bolt	NB596
25	5/16-18 Serrated Flange Nut	NB170
Not Shown	3/8-24 X 1 Engine Bolt Locktite	NB238N
Not Shown	SP Washer BelM. PLN .413 X .945 X .118	NB607
Not Shown	5/16-18 X 1 1/4 Serrated Flange Bolt	NB253
Not Shown	Operator Presence Cable	2034B

# 12 Volt Deluxe

## Paint Reference Chart

Color	Paint Code
Texture Black	TK
Texture Red	TC



**For Additional Parts  
See Page 13**

Item #	Description	Part #
1	12 Volt Handle Sub-Assy- Lower	2089-12V
2	Battery for Weedtrimmer	2101
3	Battery Cover	2105
Not Shown	Wiring Harness	2120B
Not Shown	Key Switch	2102
Not Shown	Keys For Key Switch (set of two)	KSK