

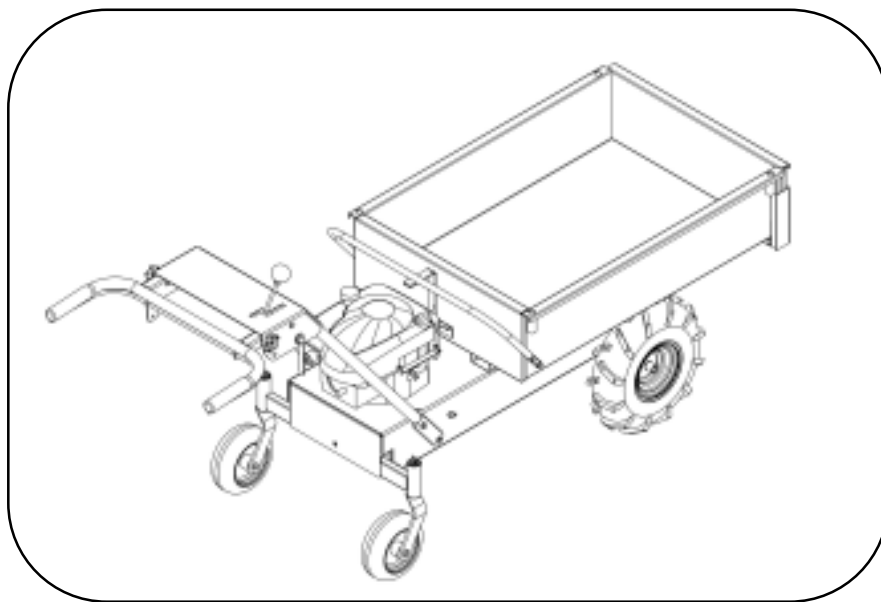


# OWNER'S MANUAL

**MODEL NO.**  
**PC-300**



Read and follow all Safety  
Rules and Instructions  
before operating this  
equipment.

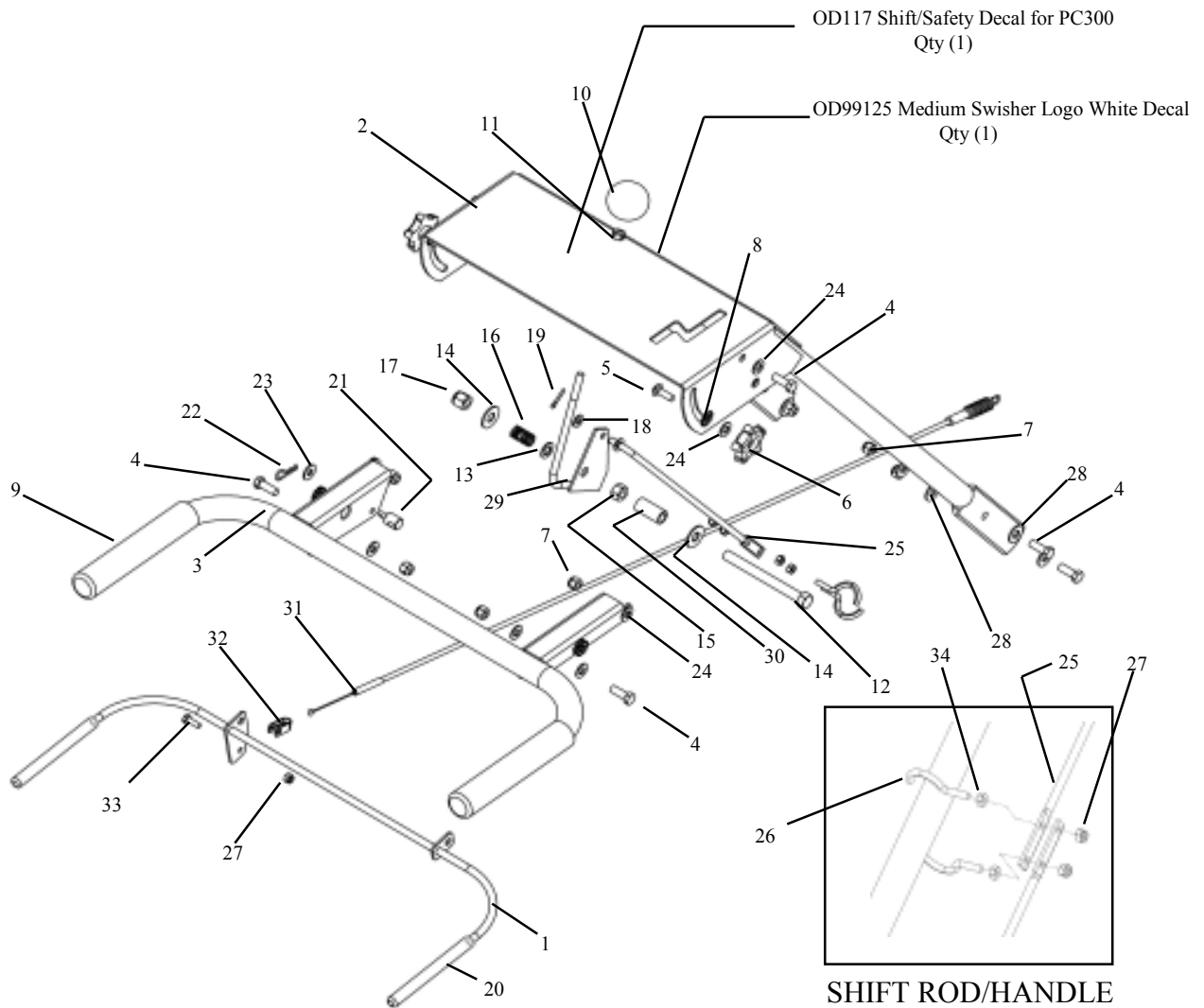


# Powered Cart

**Assembly**  
**Operation**  
**Service and Adjustment**  
**Repair Parts**



# Handle Detail

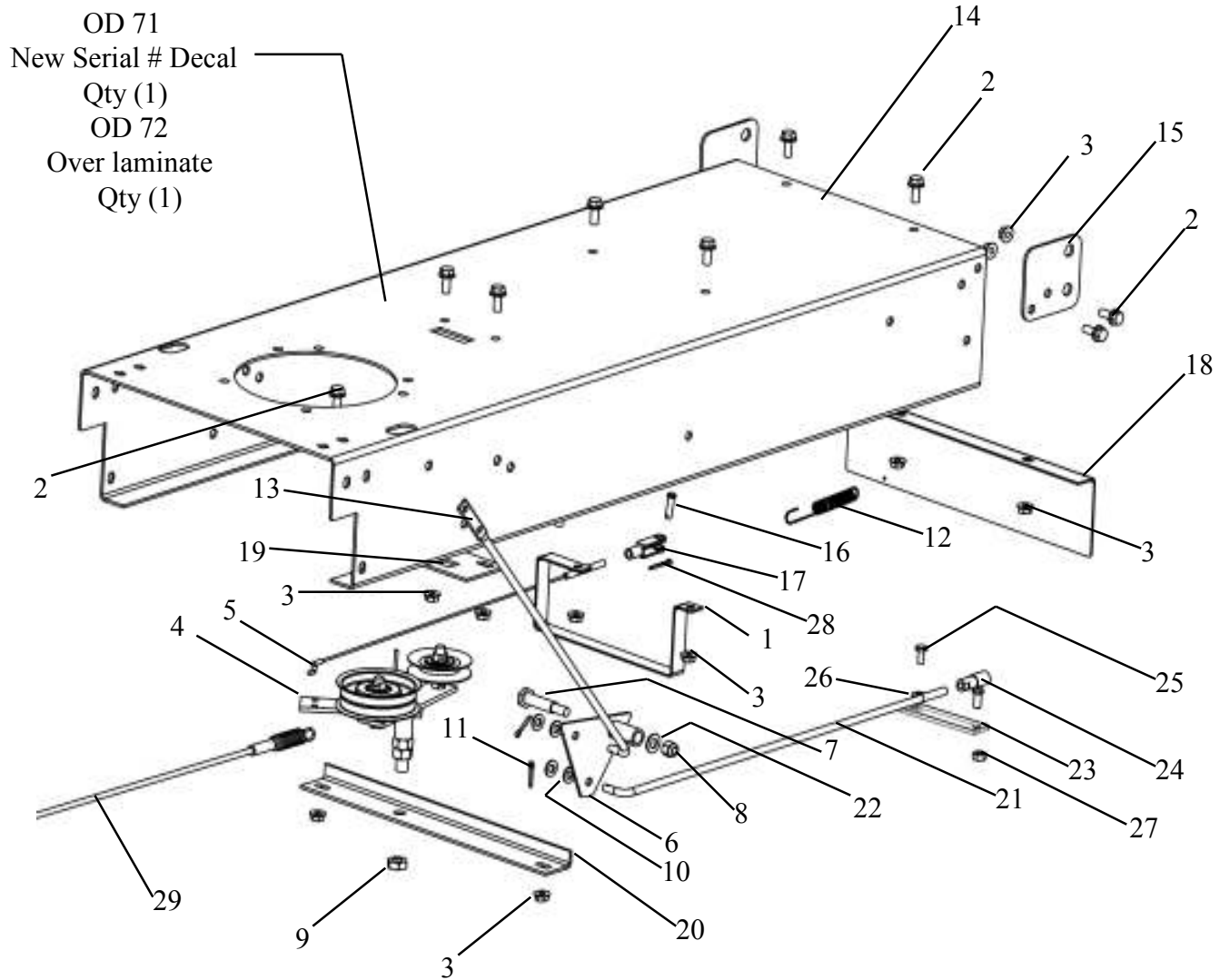


SHIFT ROD/HANDLE  
DETAIL

Item	Qty	Part #	Description
1	1	3311TK	Bail Weldment Painted
2	1	3333TK	Control Panel Weldment Painted
3	1	3334TK	Handle Weldment Painted
4	8	NB604	3/8 -16 X 1 GR5 ZP Bolt
5	2	NB516	5/16-18 X 1 Carriage Bolt
6	2	2030	Black Plastic Knob
7	8	NB182	3/8-16 Nyloc Nut
8	6	NB742	Washer Internal-External Tooth
9	2	7478	Handle Grip 1 1/8" X 8"
10	1	4857	Plastic Knob- Black
11	1	NB280	3/8-16 2-Way Lock Nut
12	1	NB741	1/2-13 X 5 HTC GR5 ZP
13	1	NB177	1/2 NR Machine Bushing 14 Ga.
14	2	NB555	1/2 USS Flat Washer ZP
15	1	NB213Z	1/2-13 Nut ZP
16	1	9633	Hold Down Spring
17	1	NB281	1/2-13 Nyloc Nut

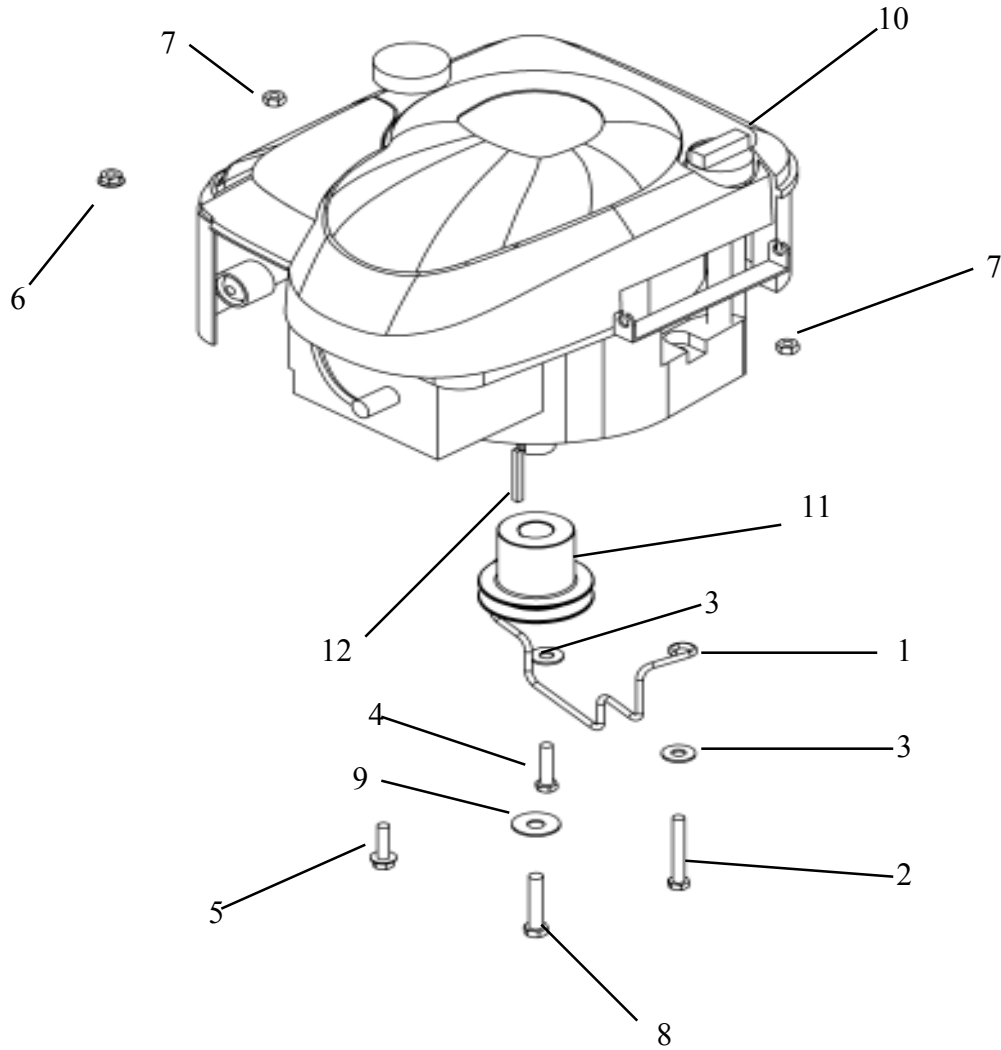
Item	Qty	Part #	Description
18	1	NB275	5/16 SAE Washer
19	1	NB125	1/8 X 3/8 Cotter Pin
20	2	3357	Bail Handle Grip
21	1	3359Z	Cable Trunnion Zinc Plated
22	1	NB127	#3 Hair Pin
23	1	NB556	5/16 USS Flat Washer ZP
24	12	NB272	3/8 USS Washer
25	1	3377	Shift Rod Half Weldment
26	2	3378	Modified J-Bolt
27	3	NB180	1/4-20 Nyloc Nut
28	8	NB271	3/8 USS Washer
29	1	3322TK	Shifter Weldment
30	1	ES130TK	Spacer Rolled 3/4 OD X 1/2 ID X 1
31	1	3337	Idler Cable
32	1	9023MOD	Clutch Cable Clevis T44CH
33	1	NB250	1/4 - 20 X 3/4 GR5 ZP
34	2	NB139	1/4 - 20 Hex Nut

# Frame Detail



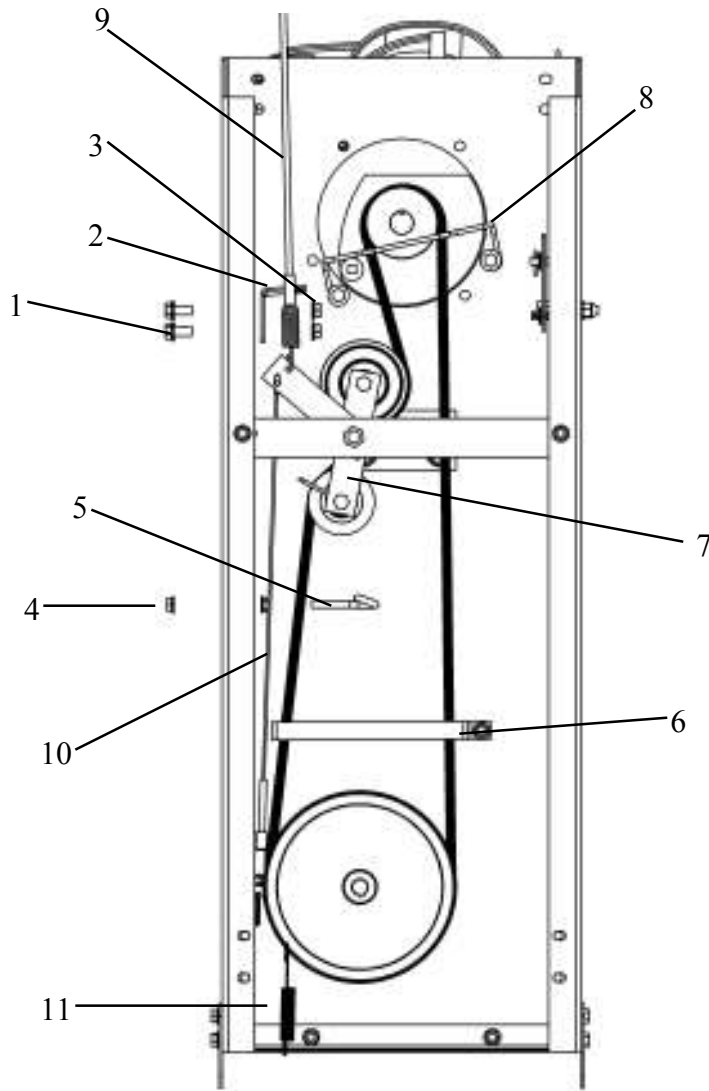
ITEM	QTY	PART	DESCRIPTION	ITEM	QTY	PART	DESCRIPTION
1	1	3318TK	Belt Dampener	15	2	3301-BC	Bed Pivot Tab
2	12	NB596	5/16 - 18 X 3/4 Serr Flg Bolt	16	1	NB522	1/4 X 1 Clevis Pin
3	14	NB170	5/16 - 18 Serrated Flange Nut	17	1	NB735	1/4 - 28 Yoke End ZP
4	1	See P. 12	Idler Assembly	18	1	3342C	Pulley Cover
5	1	3349	Brake Cable	19	1	3302C	Latch Reinforcement
6	1	3355TK	Bell Crank Assy	20	1	3319BC	Cross Member Bolted
7	1	NB220	1/2 X 1 - 9/16 Shoulder Bolt	21	1	3353	Engagement Rod
8	1	NB182	3/8 - 16 Nyloc Nut	22	1	NB272	3/8 SAE Washer
9	1	NB121	1/2 - 13 2 Way Jam Lock Nut	23	1	3340TK	Shift Linkage
10	4	NB275	5/16 SAE Washer	24	1	NB263	Ball Linkage Right
11	2	NB125	1/8 X 3/4 Cotter Pin	25	1	NB734	1/4 - 28 X 5/8 GR8 ZP
12	1	3348	Brake Spring	26	1	NB274	1/4 SAE Washer
13	1	3362	Shift Rod Half	27	1	NB448	5/16 - 24 ZP 2 Way Lock Nut
14	1	3300BC	Frame Base (Bolted)	28	1	NB708	3/32 X 1 Cotter Pin
				29	1	3337	Idler Cable

# Engine Detail



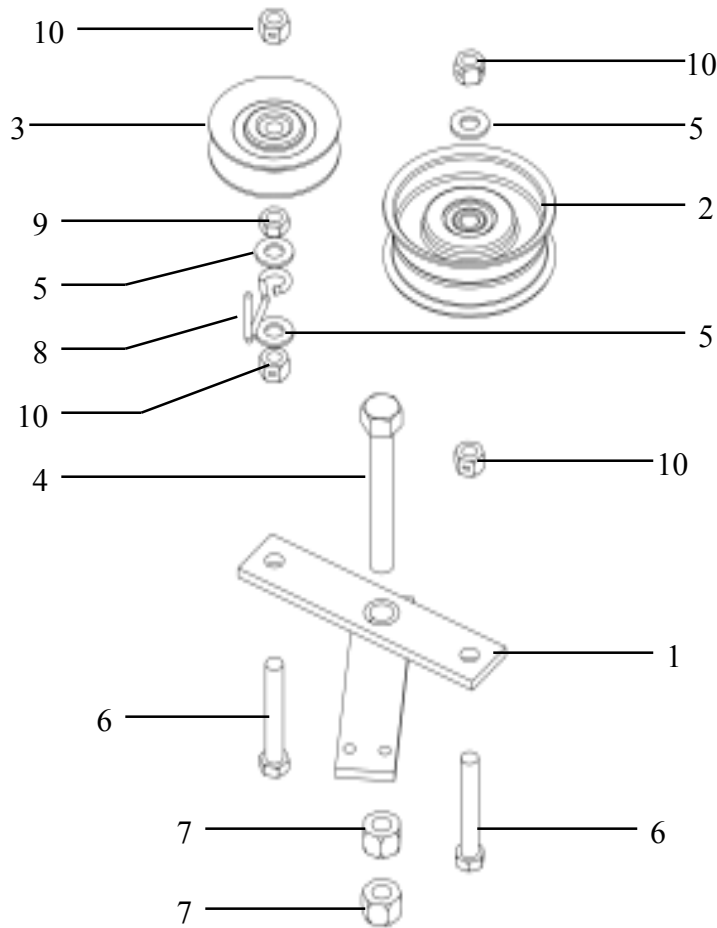
ITEM NO.	QTY.	PART NO.	DESCRIPTION
1	1	3320	Belt Snubber ZP
2	1	NB138	5/16 - 18 X 2 1/2 HCC GR5 ZP
3	2	NB556	5/16 USS Flat Washer ZP
4	1	NB505	5/16 - 18 X 1 1/2 HCC GR5 ZP
5	1	NB253	5/16 - 18 X 1 1/4 Serr. Flange Bolt
6	1	NB170	5/16 - 18 Serr. Flange Nut
7	2	NB558	5/16 - 18 ZP 2 Way Lock Nut
8	1	NB745	Hex Cap Screw GR5 ZP 3/8 - 24 X 2
9	1	699	Washer Belleville Engine Pulley
10	1	EBS675LS	Briggs 6.75 OHV Splitter Engine
11	1	3350EXT	Ext Motor Pulley 3"
12	1	3375	3/16 X 2 Key Stock
13	1	AS021	Cable Tie - Black 5 1/2" (Not Shown)

## Frame Detail, Bottom View



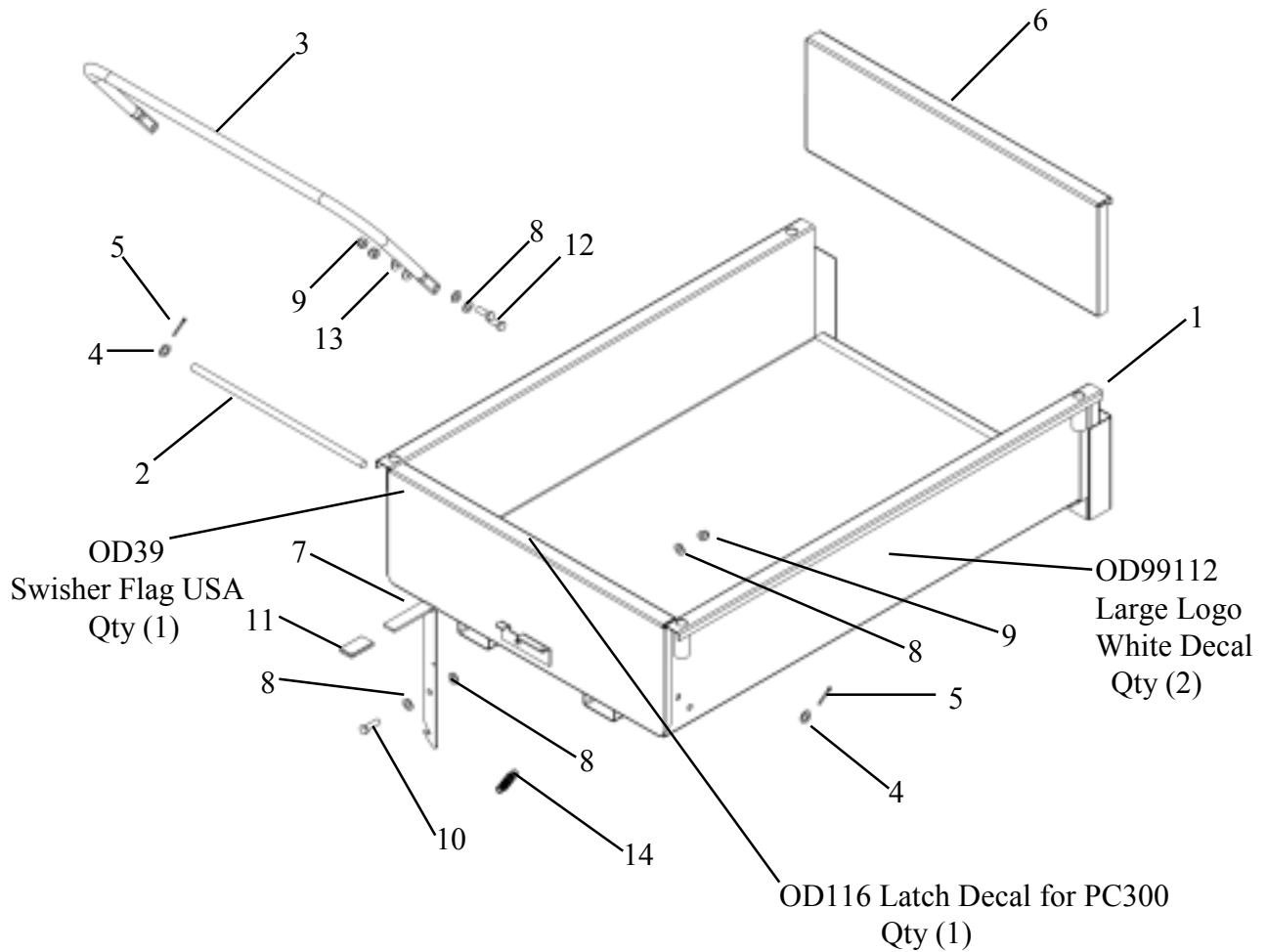
ITEM NO.	QTY.	PART NO.	DESCRIPTION
1	2	NB780	Hex Flange Serr 3/8 - 16
2	1	3317BC	Cable Harness Bolted
3	2	NB779	Hex Flange Serr Nut 3/8 - 16
4	2	NB170	5/16 - 18 Serrated Flange Nut
5	1	2046	Rope Guide
6	1	3318TK	Belt Dampener
7	1	See P. 12	Idler Assembly
8	1	3320	Belt Snubber
9	1	3337	Idler Cable
10	1	3349	Brake Cable
11	1	3348	Brake Spring

## Idler Assembly



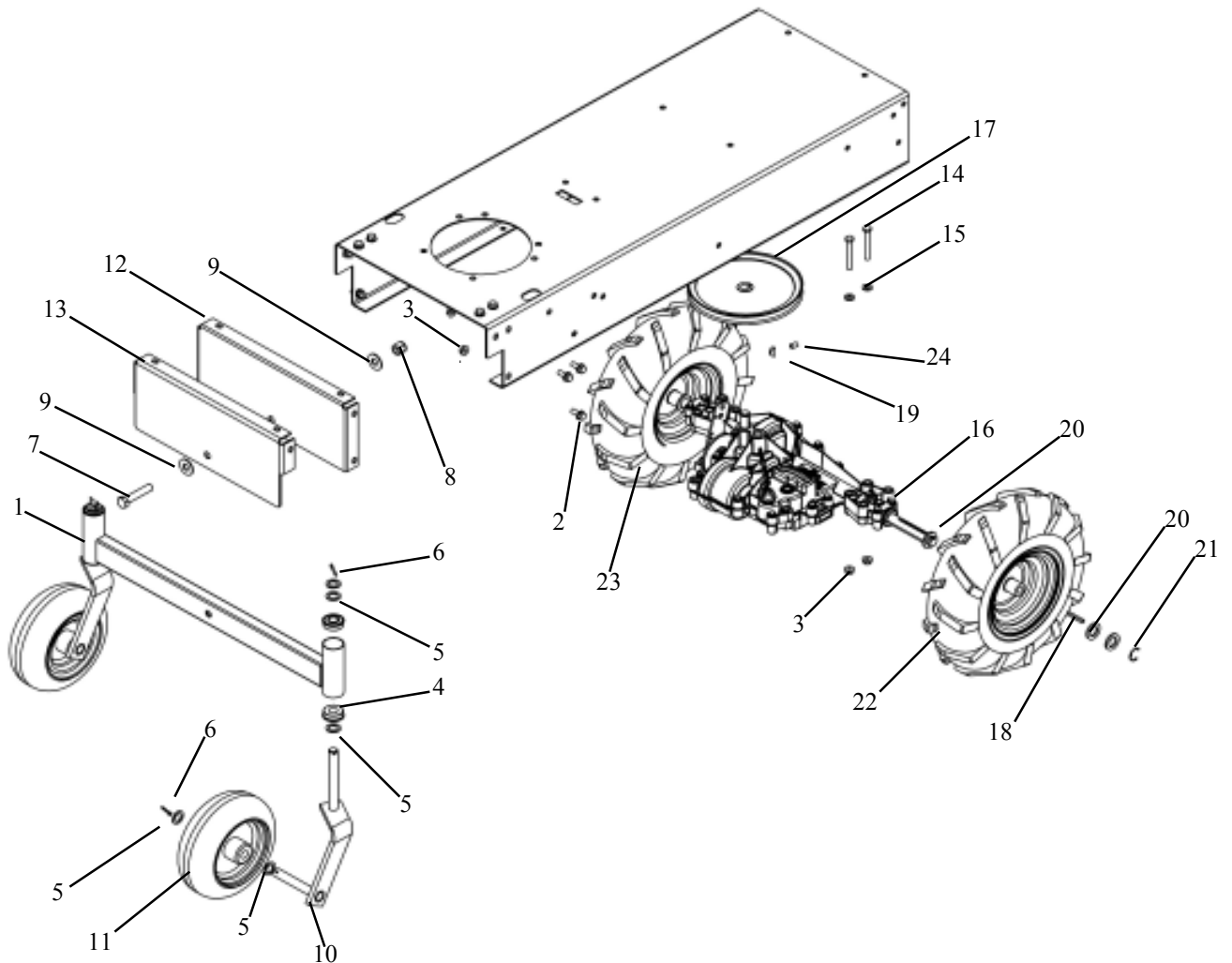
ITEM NO.	QTY.	PART NO.	DESCRIPTION
1	1	3315TK	PC300 Idler
2	1	B527	Idler Pulley OD - 3.25, ID - 3/8
3	1	T30V	Idler Pulley Clutch 2 3/4 OD
4	1	NB131	1/2 - 13 X 3 HCC GR5 Bolt ZP
5	3	NB272	3/8 SAE Washer
6	2	NB231	3/8 - 16 X 2 HTC GR2 ZP
7	2	NB213Z	1/2 - 13 Nut GR2 ZP
8	1	T30F	Finger For Belt Release
9	1	NB174	3/8 - 16 Jam Nut
10	4	NB280	3/8 - 16 2 Way Lock Nut

## Bed Detail



ITEM NO.	QTY.	PART NO.	DESCRIPTION
1	1	3329C	Bed Weldment
2	1	3346Z	Bed Pivot Axle ZP
3	1	3336TK	Bed Lift Handle
4	2	NB177	1/2 NR Mach Bushing 14 Ga.
5	2	NB126	1/8 X 1 Cotter Pin
6	1	3325C	Tail Gate
7	1	3312C	Release Handle
8	7	NB272	3/8 SAE Washer
9	5	NB182	3/8 - 16 Nyloc Nut
10	1	NB618	3/8 - 16 X 1 1/4 GR5 ZP
11	1	2077	Handle Grip, Pivot
12	4	NB604	3/8 - 16 X 1 GR5 ZP
13	4	NB271	3/8 USS Washer
14	1	VS2	Spring (Mulcher)

## Front/Transaxle Detail



ITEM	QTY.	PART NO.	DESCRIPTION
1	1	3306TK	Axle Weldment
2	10	NB596	5/16 - 18 X 3/4 Serr Flg Bit
3	14	NB170	5/16 - 18 Serr Flg Nut
4	4	F157B	Bearing Flanged 5/8 ID 1 3/8 OD
5	10	NB149	5/8 ID X 1 OD 14 Ga.
6	4	NB126	1/8 X 1 Cotter Pin
7	1	NB510	1/2 - 13 X 2 1/2 HCC GR5 ZP
8	1	NB281	1/2 - 13 Nyloc Nut
9	2	NB555	1/2 USS Flat Washer ZP
10	2	4266TK	Caster Weldment
11	2	4218	Tire/Wheel for WB42F
12	1	3304BC	Axle Plate Bolted

ITEM	QTY.	PART NO.	DESCRIPTION
13	1	3347-BC	Axle Plate Outer Bolted
14	4	NB138	5/16 - 18 X 2 1/2 HCC GR5 ZP
15	4	NB275	5/16 SAE Washer
16	1	3358	Transaxle 3 Spd
17	1	2410	Transmission Pulley 8"
18	2	2434	3/16 X 1 1/2 Keystock
19	1	NB638	3/16 X 3/4 #9 Woodruff Key
20	6	NB184	3/4 ID X 1 1/4 OD 10Ga Washer
21	2	NB621	3/4 E-Style Retaining Ring
22	1	2401R	Wheel Assy. Right for WB24
23	1	2401L	Wheel Assy. Left for WB24
24	1	NB312	5/16 - 18 X 1/2 SSC W/Loctite