



OWNER'S MANUAL

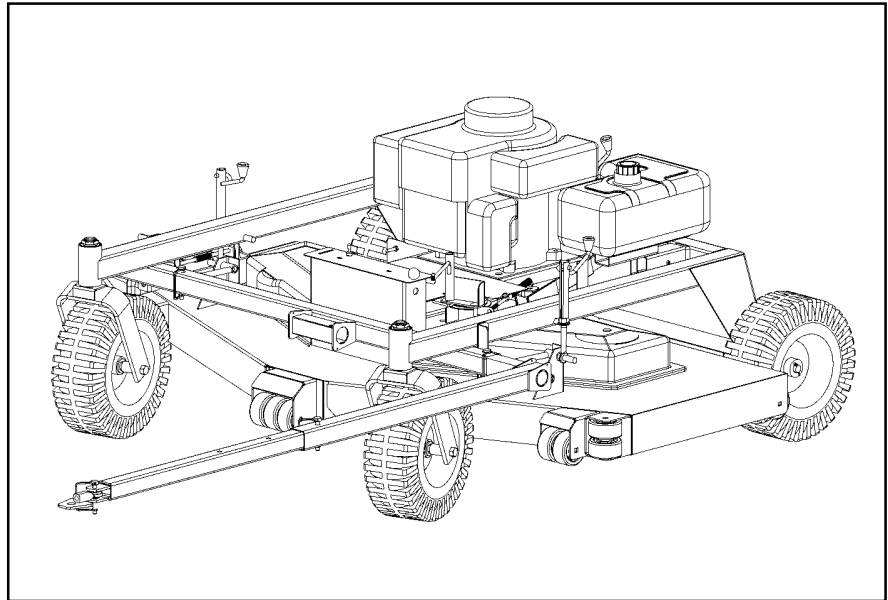
**MODEL NO.
POL 14560**



IMPORTANT

Read and follow all
Safety Precautions and
Instructions before
operating this
equipment.

Rev. 04-296



60" UNIVERSAL Front/Rear Mount TRAILMOWER

**Assembly
Operation
Service and Adjustment
Repair Parts**

- Turn off the blades when not mowing. Before leaving the machine, turn off the blades and stop the engine.
- Watch for traffic when operating near or crossing roadways.
- Do not operate the mower if it has been dropped or damaged in any manner or if the mower vibrates excessively. Excessive vibration is an indication of damage. Repair mower as necessary.
- Dress properly. Do not operate the mower when barefoot or wearing open sandals. Wear only solid shoes with good traction when mowing.
- Do not operate the machine while under the influence of alcohol or drugs.
- Do not operate on slopes greater than 15 degrees.
- Never tamper with safety devices. Check their proper operation regularly.
- Stop and inspect the equipment if you strike an object. Repair, if necessary, before restarting.
- Never make adjustments or repairs with the engine running.
- Mower blades are sharp and can cut. Wrap the blades or wear gloves, and use extra caution when servicing them.



SAFETY DECALS

Replace decals immediately if damaged. Order by part number from Swisher Mowers



OD45- Warning Decal



OD43- Flying Debris Decal

OD55- Danger Decal



OD11- No step Decal



OD33- Speed Decal



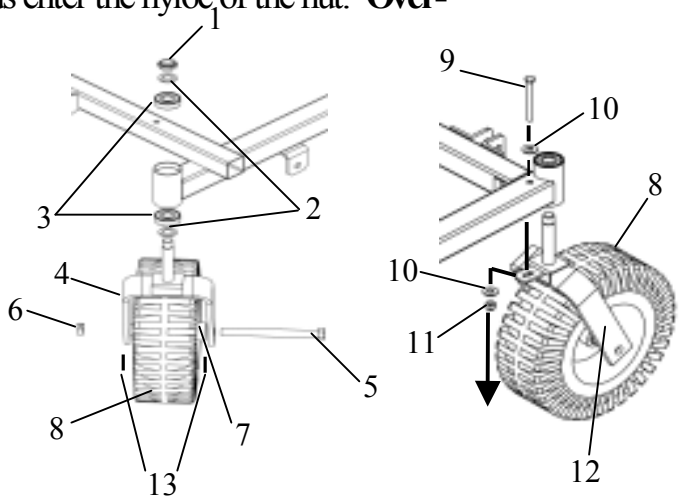
OD29- Danger Decal

REQUIRED ASSEMBLY

FRONT WHEEL CASTER ASSEMBLY

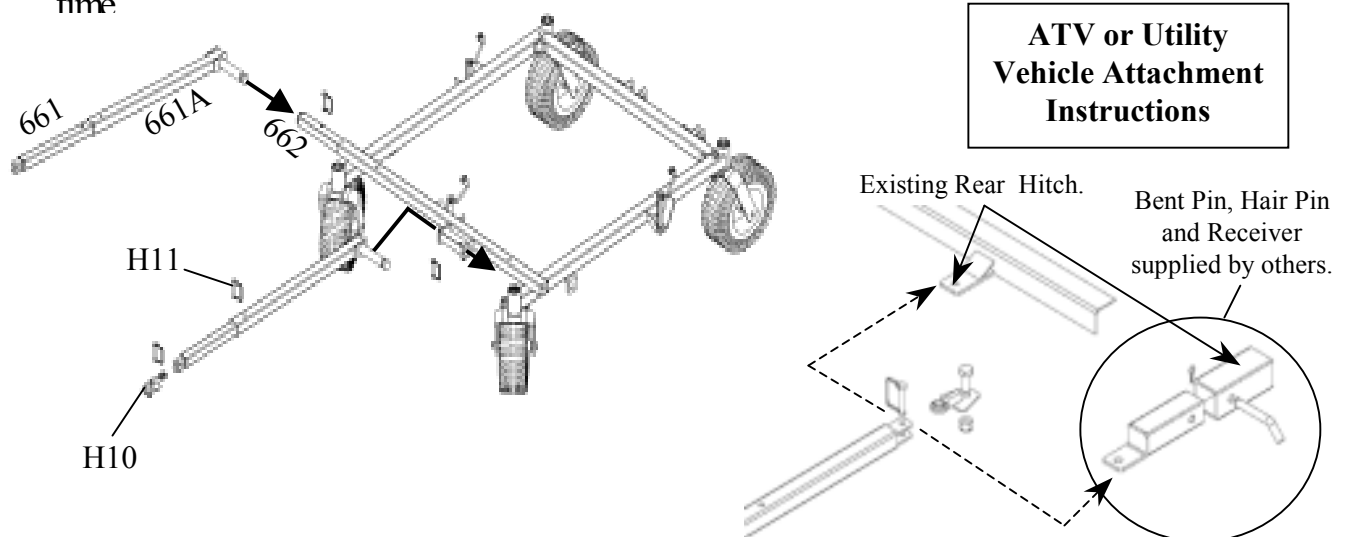
1. Remove single nut (1) and washers (2) from caster shaft.
2. Place one washer (2) on the shaft of the caster/wheel sub-assembly. (4)
3. Slide same shaft through the bearing (3) in the frame with wheel towards the ground.
4. Place the other washer (2) on the shaft; it should be resting on the top bearing.
5. Thread nyloc jam nut onto shaft.
6. Tighten nut snugly, making sure shaft threads enter the nyloc of the nut. **Over-tightening of this nut will bind caster.**
7. Repeat process for all four casters.

Item No.	Description	Part #
1	3/4-16 JAM NYLON NUT	NB122
2	WASHER	NB195
3	BEARING	B98
4	CASTER FORK	665*
5	5/8-11X7 BOLT	NB624
6	5/8-11 2-WAY LOCK NUT	NB595
7	WHEEL SPACER	663L
8	WHEEL/TIRE/BEARING	F4157W
9	3/8-18 x 3.5 BOLT	NB649
10	WASHER	NB271
11	3/8-18 NYLON NUT	NB182
12	REAR CASTER	6710*
13	5/8 ID X 1 OD 10 GA Washer	NB178



OFFSET & CENTER TOW HITCH BAR ASSEMBLY

1. Lay out parts according to the diagram.
2. Insert part 661A into part 662 and pin with the hitch pin (H11).
3. Insert part 661 into part 661A. Choose from the 3 holes to set the desired hitch length. Pin with a hitch pin.
4. Part 662 slides into the front tube of the frame. Again, choose from the 3 holes to arrange desired offset. Pin with a hitch pin (H11).
5. Eliminate step 3 for hitching from the center bracket. Only one method can be used at a time.



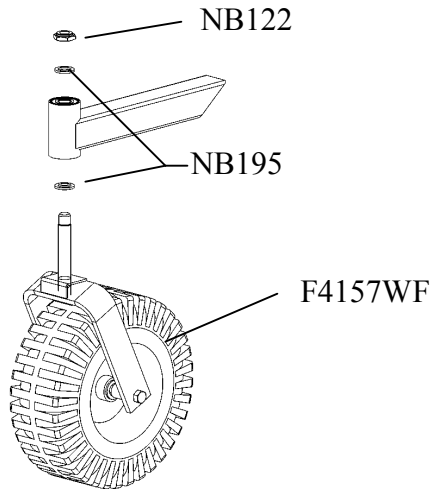
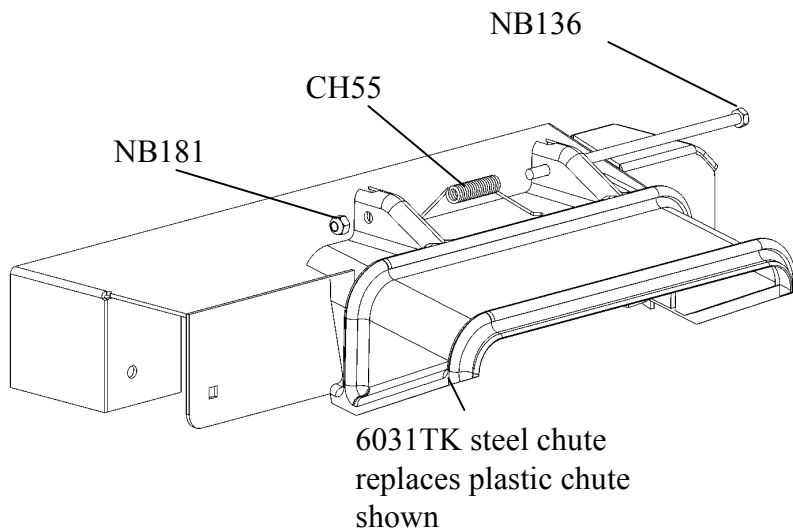


Figure 01

Figure 02



Item #	Description	Part #
1	Grass Chute	6031TK
	Bolt/Nut	NB136/NB181
	Spring (2)	CH5S
2	Rear Caster Assembly (2)	7055
	Tire/Wheel/Bearing	F4157W
	Right Belt Guard	6155RN
3	Acorn Nut	NB120
	No Step Decal	OD11
	Height Adjust Assembly	H7N
4	Plastic Bushing	T2PB
	Eye Bolt	6599
	Knob	H7K
5	5/16 Pal Nut	NB276
	Left Belt Guard	6155LN
	Acorn Nut	NB120
6	Gas Tank	6772
	Gas Cap	6102NC
	Gas Tank Mount	6102NTK
7	Rubber Bushing	AS119
	Fuel Shutoff Valve	AS120
	Fuel Line Hose Clamp	6FLC
8	Fuel Line	AS140
	Height Adjust Assembly	H7N
	Eye Bolt	6599
9	Stabilizer Arm	6696
	Plastic Bushing	T2PB
	Knob	H7K
10	Engine Plate	6155NFTK
	Front Caster Assembly	6774S
	Tire/Wheel/Bearing	F4157WF
11	Bolt/Nut	NB624/NB593
	Spacer (Exterior)	663L
	Washer	NB178
12	Caster Fork	665S
	Caster Nut	NB122
	Washer	NB195
13	Throttle Plate	7032TK

Figure 04

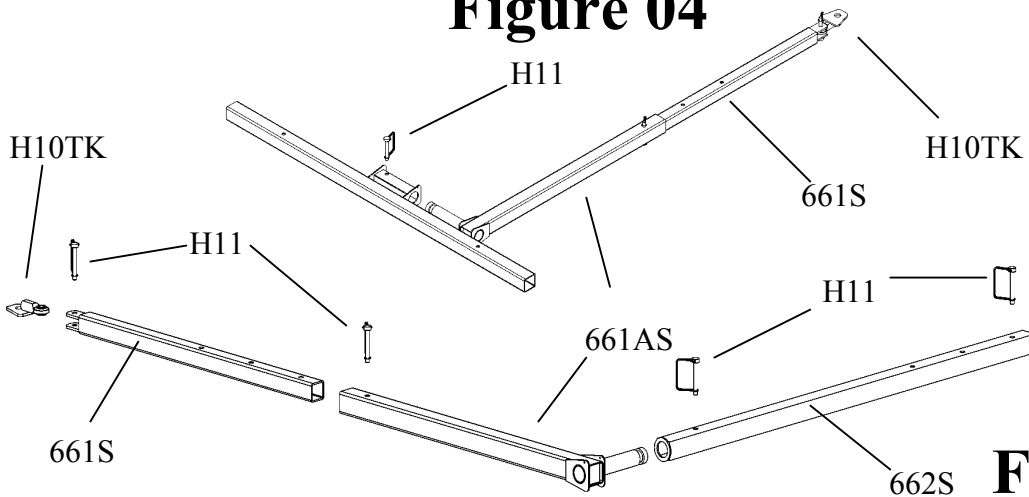


Figure 03

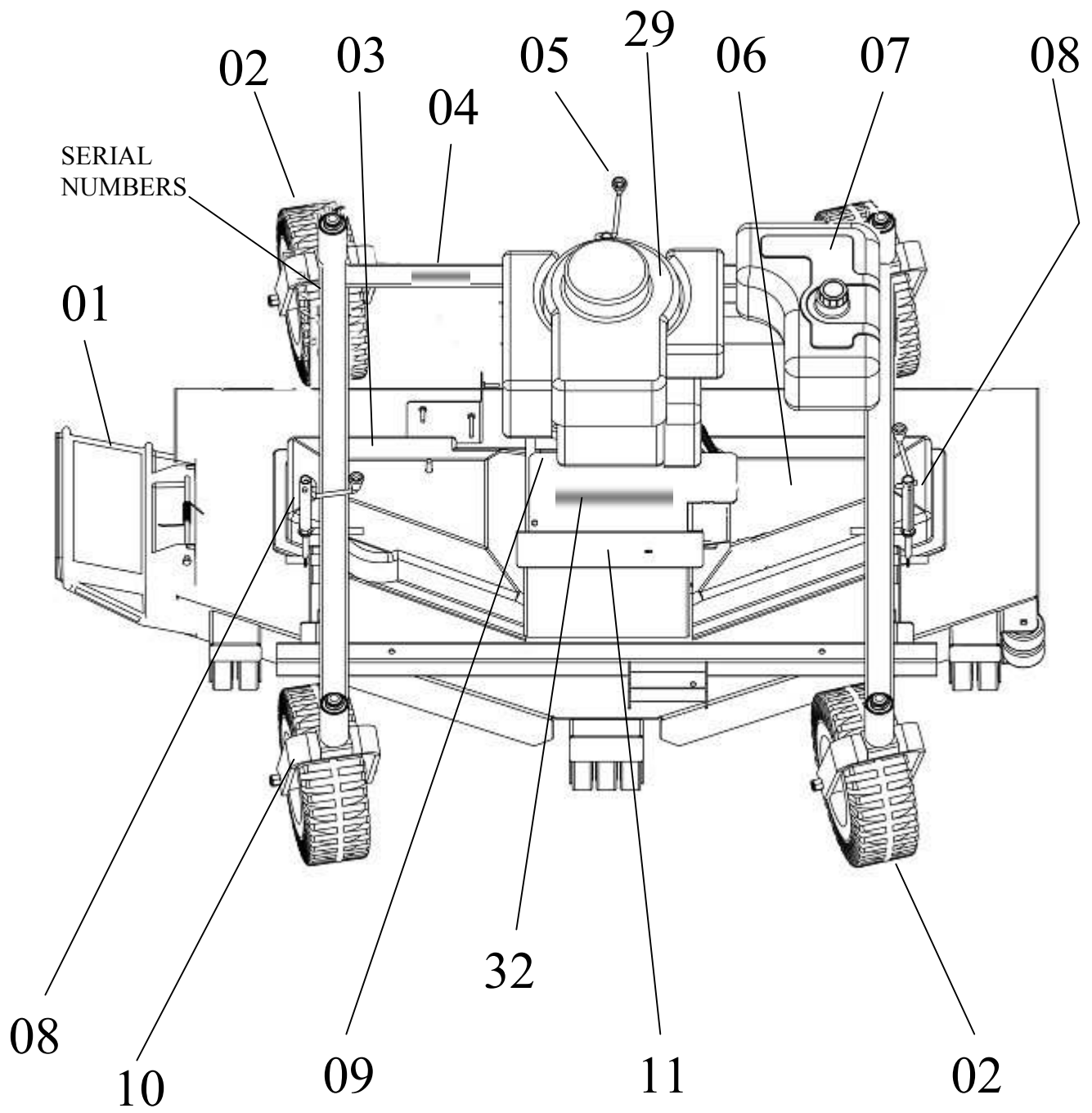


Figure 05

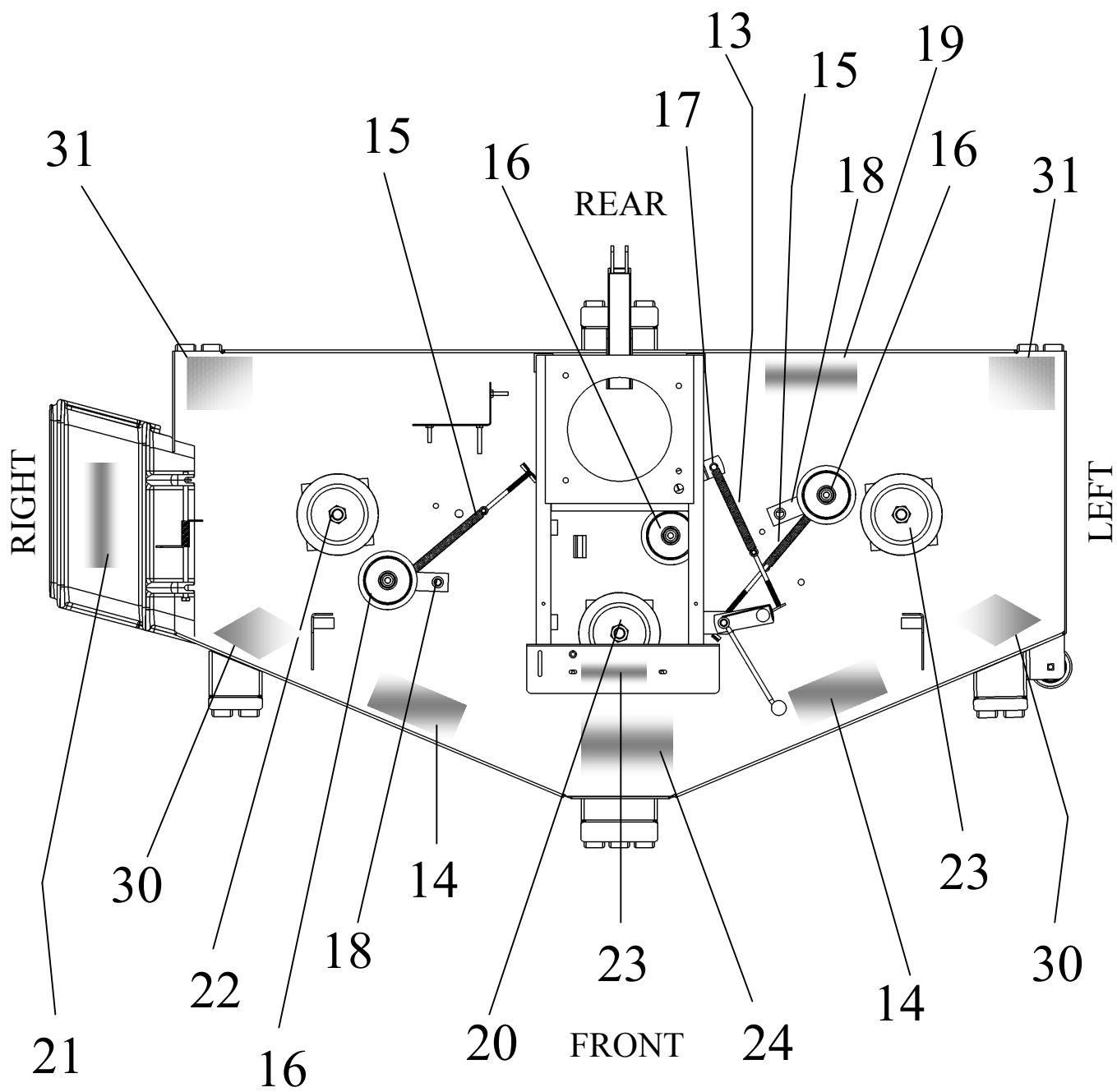


Figure 06

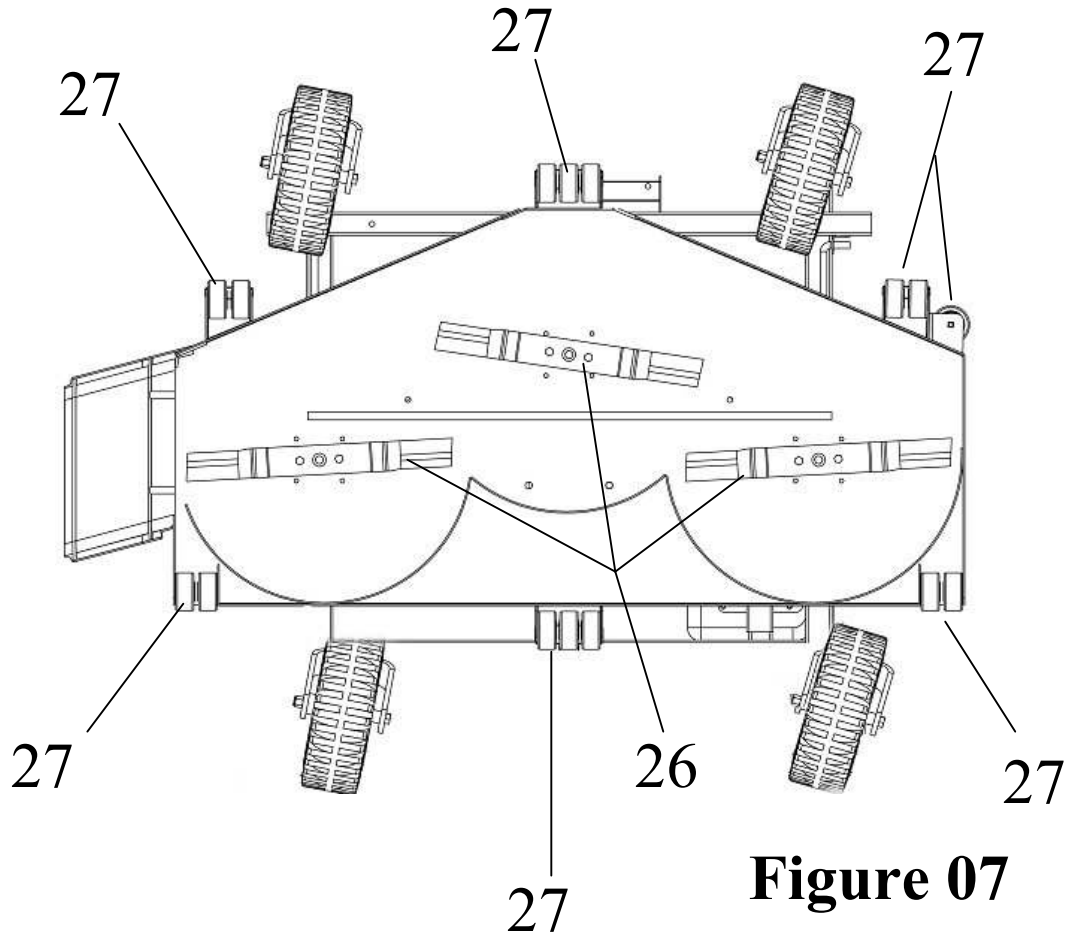


Figure 07

Item #	Description	Part #
13	Clutch Idler Rod/Spring	6704TK/682S
14	Danger Decal	OD29
15	Idler Rod/ Spring	3123TK/6825
16	Idler Pulley	B527
17	Clutch Idler Arm	6709TK
18	Idler Bracket	678
19	Important Grass Only Decal	OD15
20	Blade Driver Center	9084
21	Caution - Deflector Decal	OD43
22	Blade Driver Right	9085
23	Blade Driver Left	9086
24	Warning Serious Injury Decal	OD45
25	5 MPH Decal	OD33
26	Blade (3)	9004
27	Anti-Scalp Roller	AS001
28		
29		
30	60" Decal	OD99128
31	Danger Triangle Decal	OD55

	Engine Belt	644
	Blade Belt (Left & Right)	66LR

Items Not Shown

	Wiring Harness	WH14560B (Briggs)
	Key Switch	3623
	Starter Relay	9043
	Battery Cable Red	BCSR
	Battery Cable Black	BCS
	Oil Drain Valve	AS122
	Engine Pulley	688
	Engine Pulley Spacer (2)	BB105SL
	Engine Pulley Spacer Short	689S
	Engine Pulley Washer	699
	Engine Pulley Bolt	NB452N

Item #	Description	Part #
--------	-------------	--------

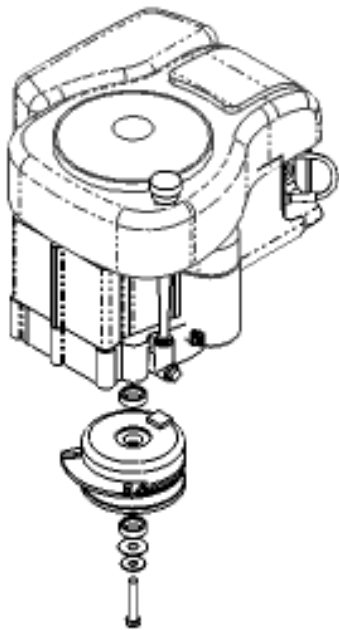
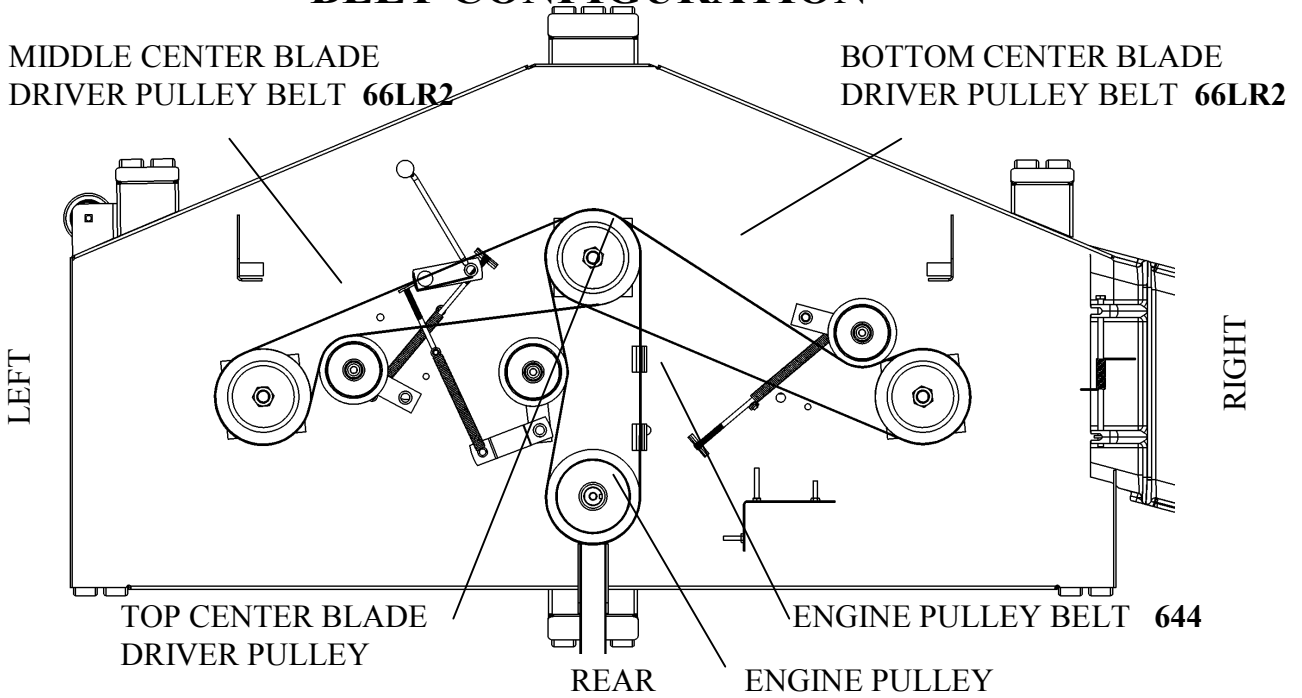
Additional Components

	Tongue	661S
	Tongue Hinge	661AS
	Tongue Extension	662S
	Hitch Swivel	H10TK
	Safety Hitch Pin	H11
	Blade Bearing	B98

Items Not Shown

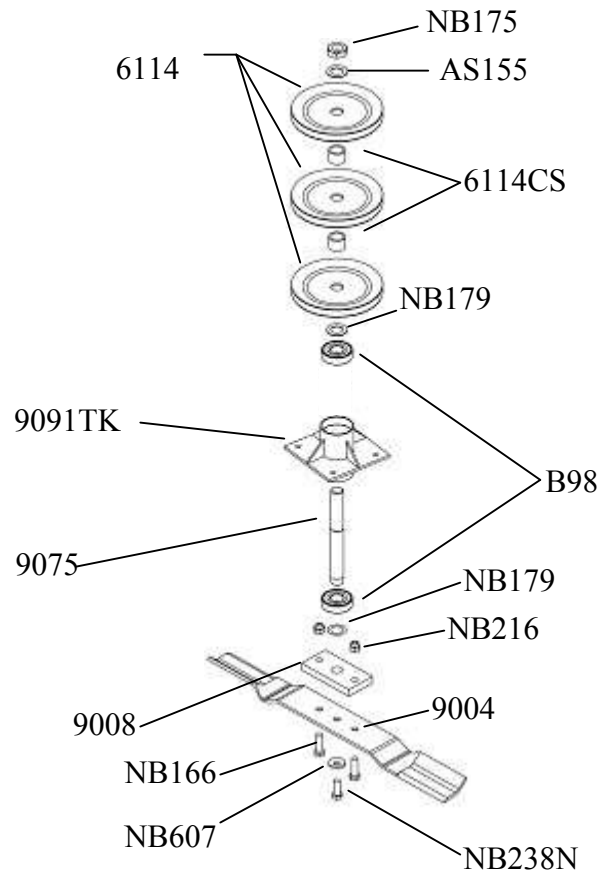
	Wiring Harness	WH14560B (Briggs)
	Key Switch	3623
	Starter Relay	9043
	Battery Cable Red	BCSR
	Battery Cable Black	BCS
	Oil Drain Valve	AS122
	Engine Pulley	688
	Engine Pulley Spacer (2)	BB105SL
	Engine Pulley Spacer Short	689S
	Engine Pulley Washer	699

BELT CONFIGURATION



ITEM #	DESCRIPTION	PART #
1	ENGINE	EBS14.5
2	LOWER ENG. SPACER	BB105SL
3	ELECTRIC CLUTCH	688EC
4	LOWER ENG. SPACER	BB105SL
5	WASHER	TR150W
6	BELLEVILLE WASHER	699
7	7/16 BOLT	NB452N

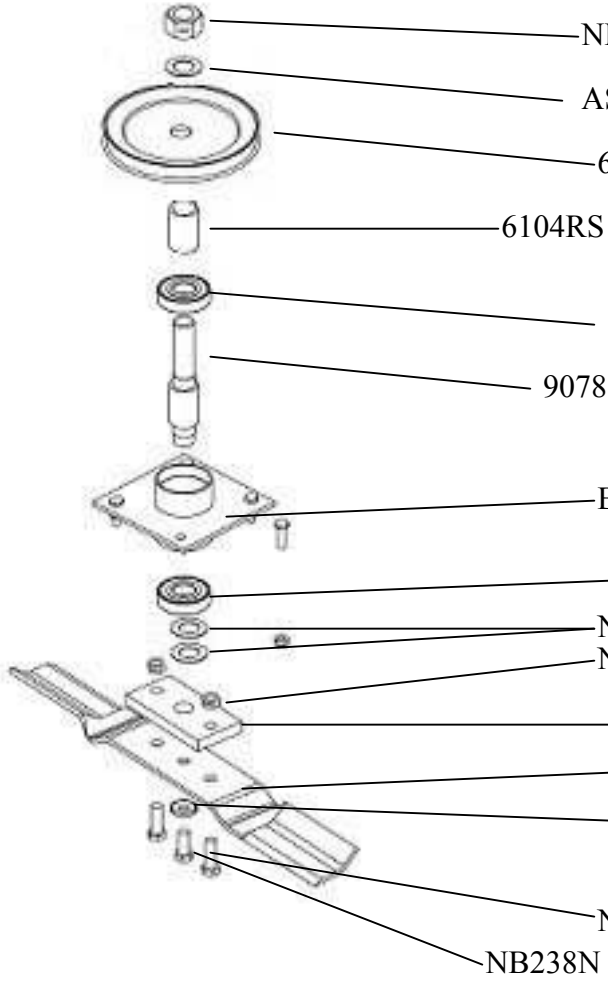
Not Shown OIL DRAIN VALVE + CAP AS122, AS123



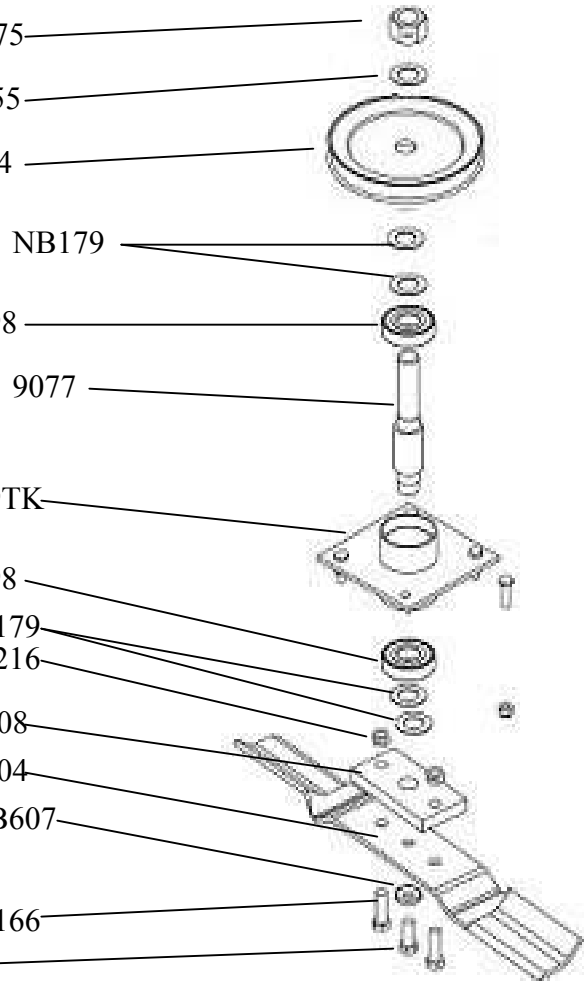
CENTER BLADE DRIVER ASSEMBLY

EFFECTIVE AFTER SERIAL# L199307001

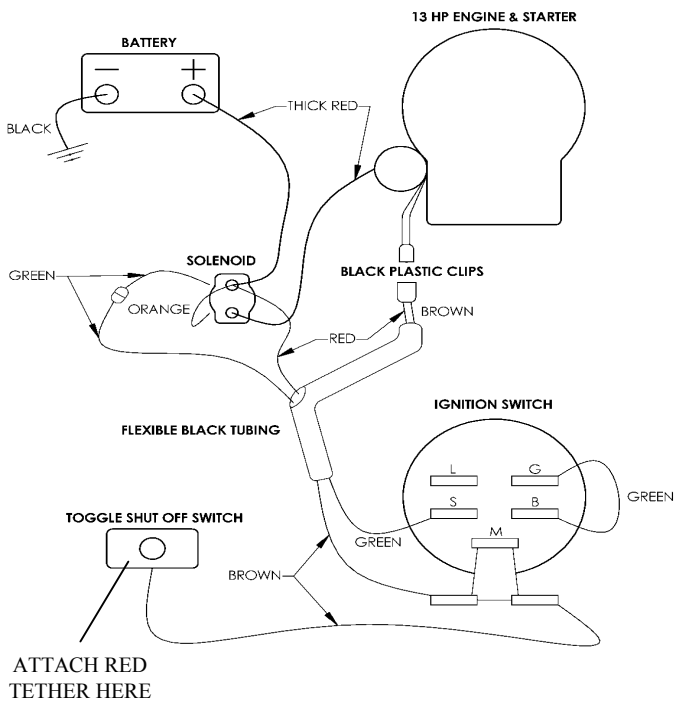
LEFT BLADE DRIVER ASSEMBLY



RIGHT BLADE DRIVER ASSEMBLY



ELECTRIC START WIRING SCHEMATIC



HONDA WIRING SCHEMATIC

