

T44 RECOIL START

T44 12 VOLT START

FIGURE THREE
WIRING CONFIGURATIONS

PARTS NOT SHOWN

WIRING HARNESSES	
B&S ENGINE (Remote Start only)	WH44CHB12V
HONDA ENGINE	WH1144H
REMOTE OPTION	WH44RCH
PULL START W/ B&S ENGINE	10638
TOGGLE/GROUND WIRE ASSEMBLY	9090
BLADE ENGAGE CABLE	9074
12V B&S MANUAL BLADE ENGAGE	10235
12 VOLT MODELS	
BATTERY (12N12A) RECOMMENDED	SOLD SEPARATELY
SOLENOID	9043
BATTERY CABLE - POSITIVE	BCSR
BATTERY CABLE - NEGATIVE	BCS
EXTRAS	
VELCRO STRAPS	7033
SWISHER DECAL	OD99125
44" DECAL	OD99127
INTERLOCK MODULE	MOD1
BATTERY BOX	10231
BATTERY PAD	BATPAD
BATTERY CABLE	BCL
BATTERY BOOT	BCBT
BATTERY HOLD DOWN	BHOLD

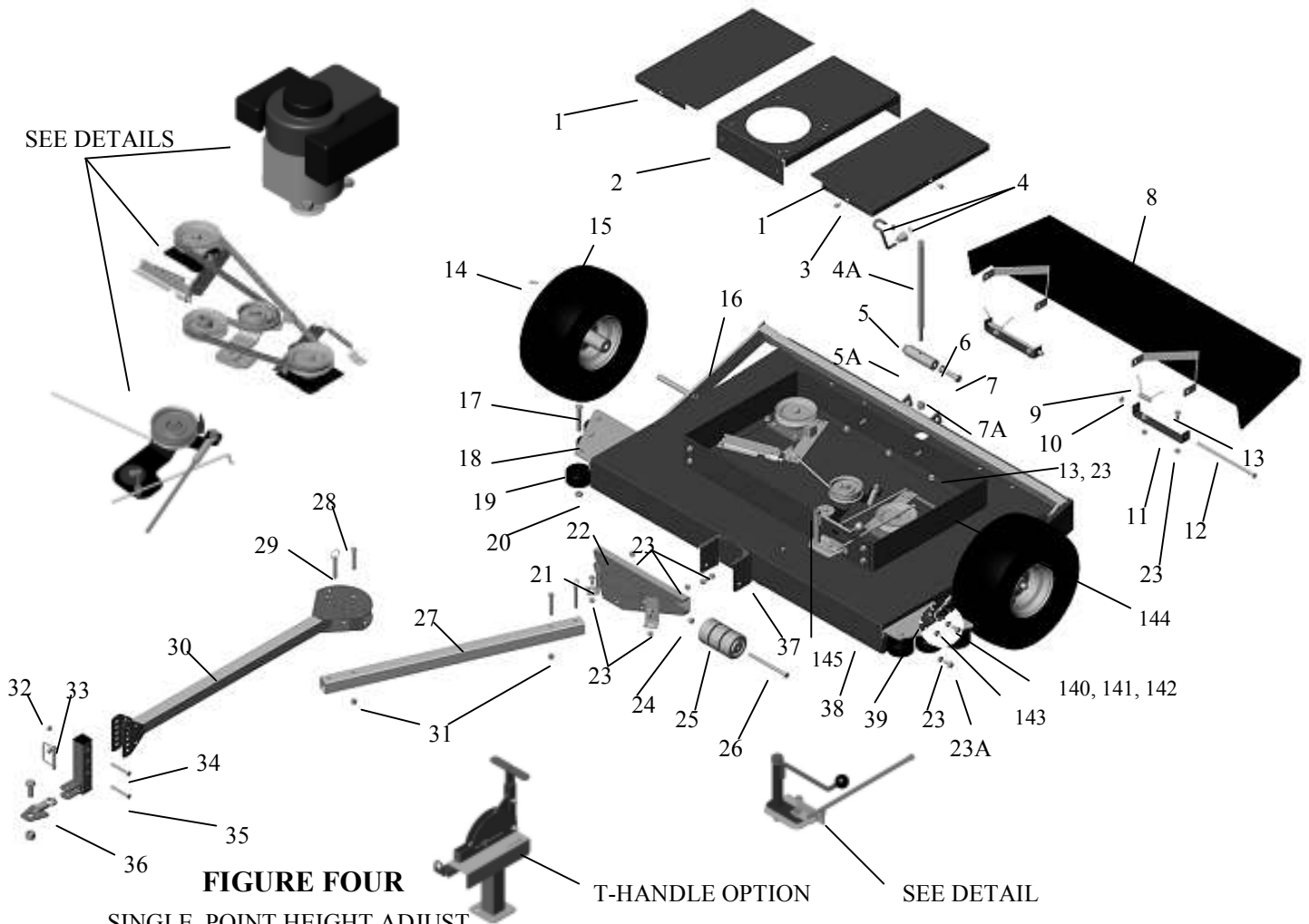


FIGURE FOUR
SINGLE POINT HEIGHT ADJUST

ITEM #	DESCRIPTION	PART #
1	BELT COVER	10599*
2	MOTOR BASE	4517*
3	1/4 BOLT	NB114
4	HEIGHT ADJUSTER	
	KNOB	H7K
	5/16 PAL NUT	NB276
	5/16 PUSH NUT	NB117
	ARM	ES214
4A	HEIGHT ADJUST ROD	4006
5	PIVOT BLOCK	4007TK
5A	FLANGE BEARING	4005
6	1/2 BUSHING	NB177
7	1/2 BOLT	NB617
7A	BEARING CAP	4036TK
8	DISCHARGE CHUTE	10598TK
9	TORSION SPRING	9100
10	5/16 NUT	NB181
11	CHUTE MOUNT	6030TK
12	5/16 BOLT	NB136
13	5/16 BOLT	NB596
14	COTTER PIN	NB126
15	TIRE/WHEEL	F44157LV
16	AXLE ASSEMBLY	10596TK
17A	1/2 BOLT	NB588
17B	1/2 NUT	NB118
18	RIGHT ROLLER BRACKET	4016TK
19	ANTI-SCALP ROLLER 1/2"	AS003
20	1/2 NUT	NB121
21	5/16 BOLT	NB596
22	HITCH	4525TK

ITEM #	DESCRIPTION	PART #
23	5/16 NUT	NB170
23A	5/16 BOLT	NB596
24	3/8 NUT	NB182
25	ANTI-SCALP ROLLER 3/8"	AS001
26	3/8 BOLT	NB575
27	HITCH TUBE	4583*
28	3/8 BOLT	NB221
29	3/8 LOCK PIN	NB520
30	FAN HITCH	4582*
31	3/8 NUT	NB182
32	5/16 NUT	NB181
33	SAFETY HITCH PIN	H11
34	5/16 BOLT	NB138
35	L HITCH	H1TK
36	SWIVEL HITCH	H10TK
	BOLT/NUT	NB145Z/NB561
37	ROLLER BRACKET	10634TK
38	DECK WELDMENT	10586TC
39	LEFT ROLLER BRACKET	4015TK
140	OILITE BEARING	21008
141	1/2 USS WASHER	NB555
142	1/2-13 BOLT	NB617
143	1/2-13 NYLOK NUT	NB281
144	BACK SKIRT PLATE	4519*
145	FRONT SKIRT PLATE	4518*

* = USE PAINT CODE:
TC=RED,G=GREEN;S=SILVER,TK=BLACK

EX: 4524RTC; 4525G

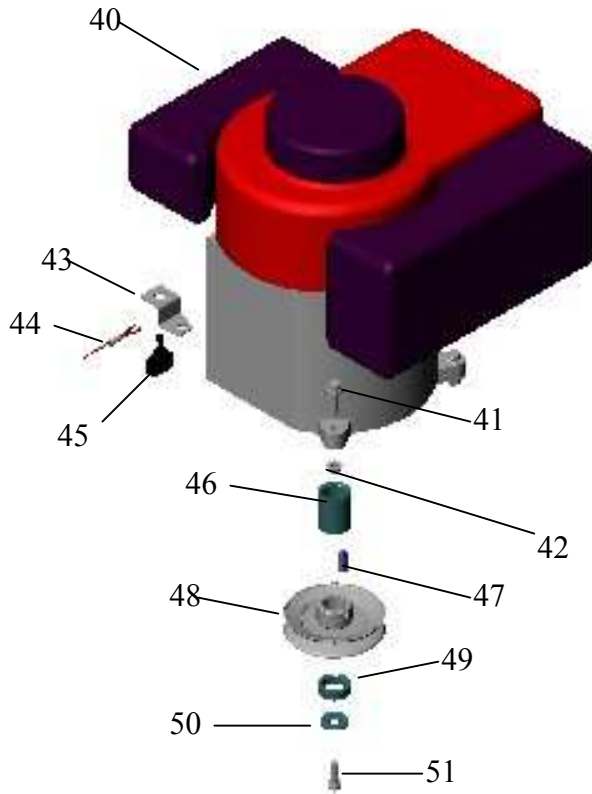
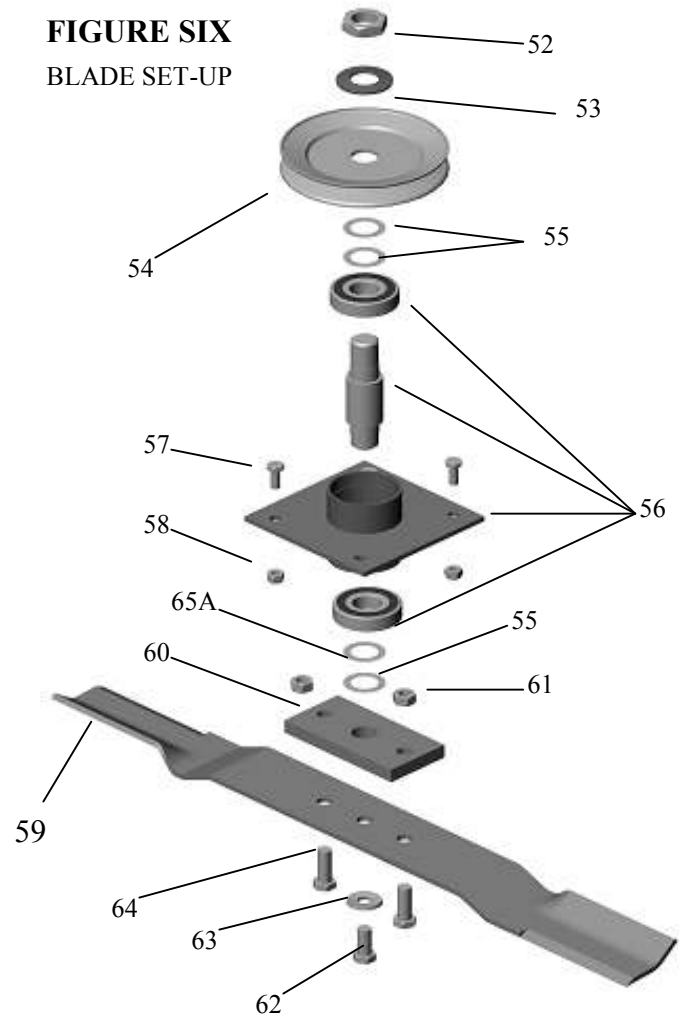


FIGURE FIVE
ENGINE SET-UP

ITEM #	DESCRIPTION	PART #
40	ENGINE	NOT AVAILABLE
41	5/16 BOLT	NB253
42	5/16 NUT	NB170
43	TOGGLE BRACKET	4483Z
44	SAFETY TETHER	6736
45	TOGGLE SWITCH	685SP
46	UPPER ENG. SPACER	BB105S
47	1/4 X 1 KEY STOCK	9031
48	ENG. PULLEY	BB105
49	LOWER ENG. SPACER	BB105SL
50	BELLEVILLE WASHER	699
51	7/16 BOLT	NB452N
	OIL DRAIN VALVE & CAP	AS122/AS123
	MODULE & SCREW	MOD1/NB137

FIGURE SIX
BLADE SET-UP



ITEM #	DESCRIPTION	PART #
52	3/4 NUT	NB175
53	UPPER BELLEVILLE	AS155
54	BLADE PULLEY	B4104
55	THIN WASHER	NB179
56	BLADE DRIVER	9018
	BEARING	B98
	4.25" SHAFT	9076
	BEARING HOUSING	B99ECTK
57	1/4 BOLT	NB250
58	1/4 NUT	NB180
59	22" BLADE	9005
	Two Blade Set	9036
60	BLADE MOUNT PLATE	9008
61	3/8 NUT	NB216
62	3/8 BOLT	NB238N
63	LOWER BELLEVILLE	NB607
64	3/8 BOLT	NB238
65A	WASHER	B98W

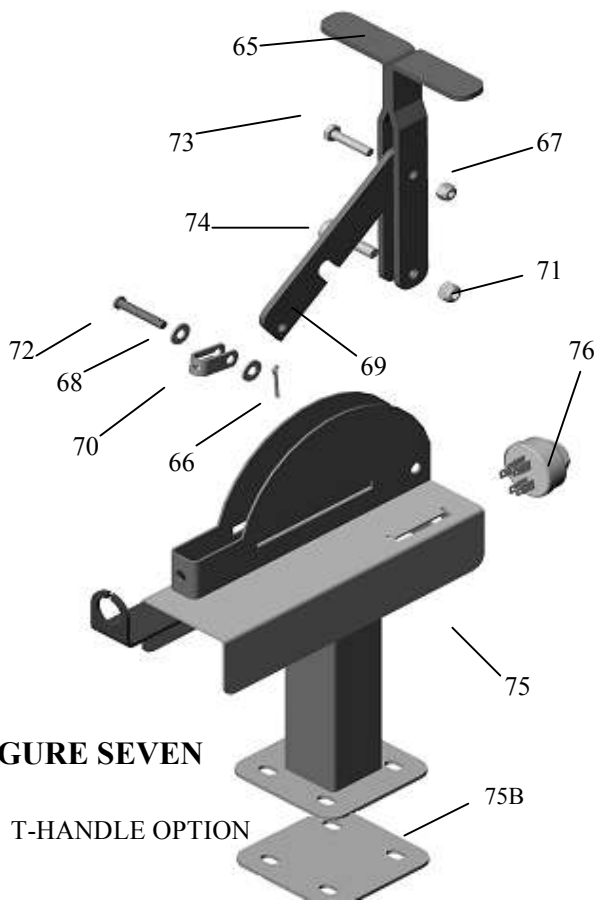


FIGURE SEVEN

T-HANDLE OPTION

ITEM #	DESCRIPTION	PART #
65	T-HANDLE LEVER	4463TK
66	COTTER PIN	NB597
67	1/4 NUT	NB180
68	WASHER	NB274
69	ENGAGE LINK	4461TK
70	CABLE CLEVIS	9023MOD
71	5/16 NUT	NB181
72	CLEVIS PIN	NB518
73	1/4 BOLT	NB560
74	5/16 TORX BOLT	NB591
75	CONSOLE WELDMENT	4602TK
76	KEY SWITCH (12 VOLT)	3623
	KEYS	KSK
	T-HANDLE ACCESSORY KIT	4498
	BLADE ENGAGE DECAL	OD10
	ON/OFF DECAL	OD99
	12 VOLT ON/OFF DECAL	OD28
75 B	CONSOLE MOUNT PLATE	4601TK
	5/16-18 BOLTS	NB138
	5/16-18 NUTS	NB181

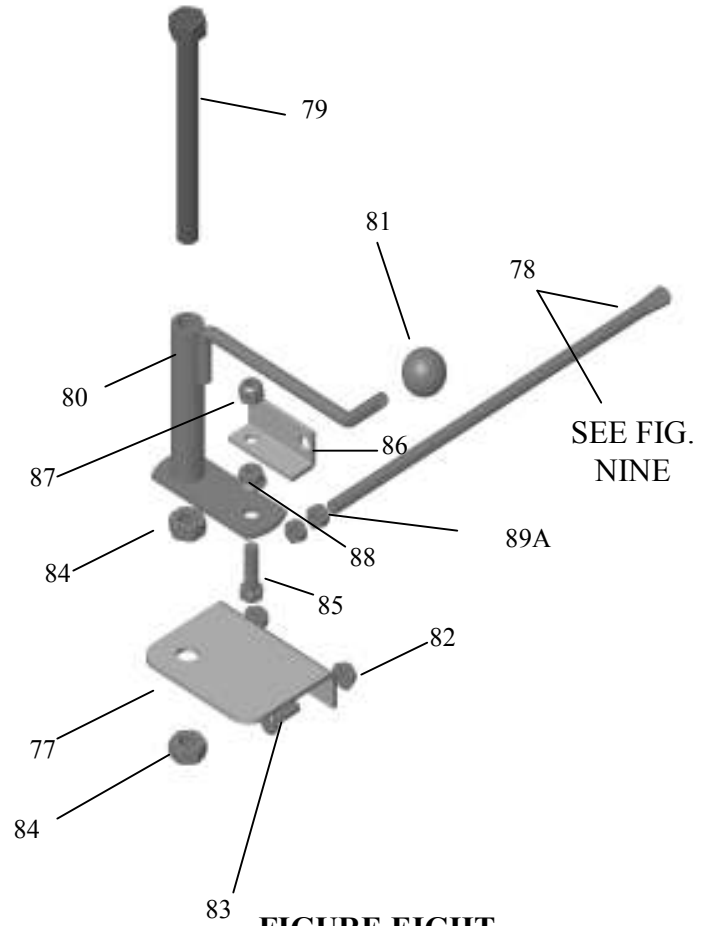


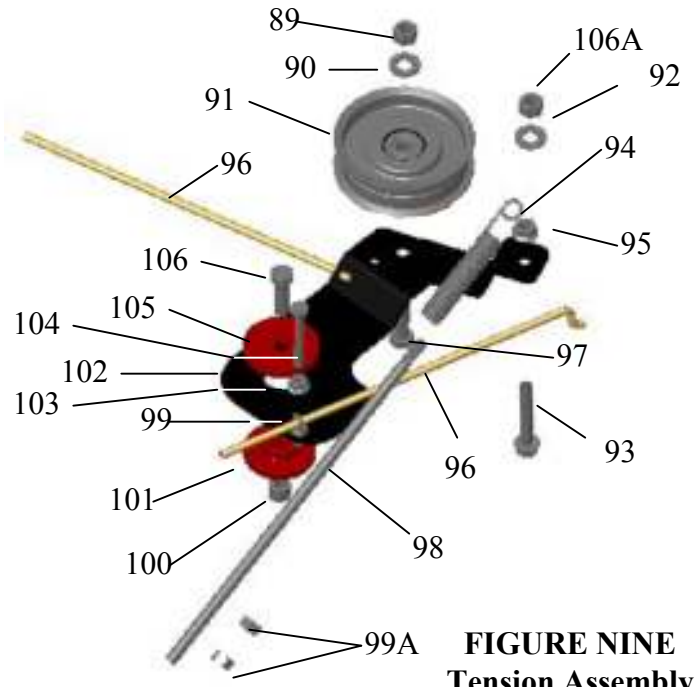
FIGURE EIGHT
STANDARD ENGAGE

ITEM #	DESCRIPTION	PART #
77	ENGAGE STANDOFF	4547TK
78	5/16 Spade Bolt	NB260
79	1/2 BOLT	NB155
80	ENGAGE LEVER	4548TK
81	HANDLE KNOB	B19BLACK
82	1/4 NUT	NB524
83	1/4 BOLT	NB250
84	1/2 NUT	NB121
85	5/16 BOLT	NB501
86	ENGAGE PIVOT	4578TK
87	5/16 NUT	NB181
88	5/16 NUT	NB170
	ON/OFF DECAL	OD10
89A	5/16-18 Nut	NB210Z

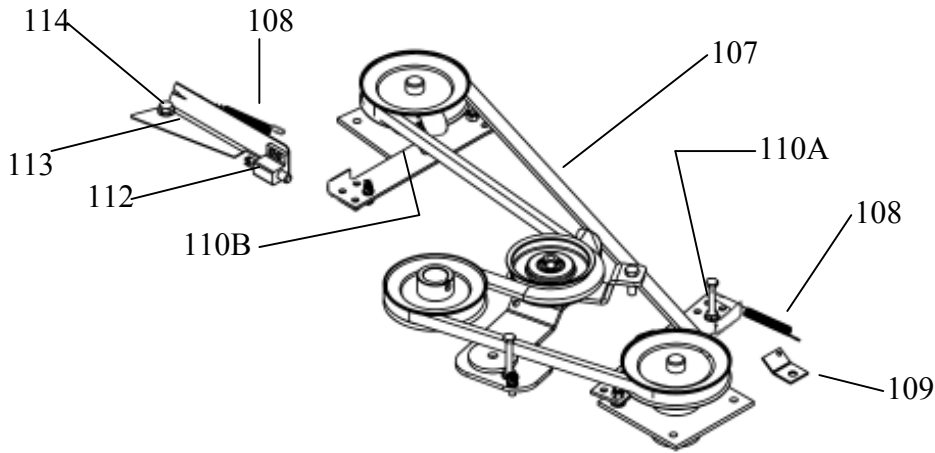
* = USE PAINT CODE:
TC=RED,G=GREEN,S=SLIVER,
TK=BLACK

EX: 4547C; 4578S

ITEM #	DESCRIPTION	PART #
89	3/8 NUT	NB280
90	WASHER	NB272
91	IDLER PULLEY	B527
92	WASHER	NB556
93	5/16 SERR FLG BOLT	NB253
94	IDLER SPRING	4422
95	5/16 NUT	NB170
96	BRAKE LINK	4532
97	3/8 BOLT	NB107
98	5/16 SPADE BOLT	NB260
99	EYE BOLT	V139EB
99A	5/16-18 NUT	NB210Z
100	3/8 NUT	NB182
101	IDLER BUSHING	6037
102	IDLER BRACKET	4530
103	1/4 NUT	NB524
104	1/4 BOLT	NB218
105	IDLER SPACER	6040
106	3/8 BOLT	NB618
106A	LOCK NUT	NB181



**FIGURE NINE
Tension Assembly**



**FIGURE TEN
Belt / Brake Configuration**

ITEM #	DESCRIPTION	PART #
107	Belt 74"	4220
108	SPRING	T2SM
109	TENSION BRACKET	4593TK
110A	BRAKE ASSY (LEFT)	10591
110B	BRAKE ASSY (RIGHT)	10590
111	EYE BOLT	V139EB
112	NEUTRAL SWITCH	3695
	8-32 BOLT/NUT	NB 197/NB 201
113	SWITCH BRACKET	4301TK
114	5/16 BOLT/NUT	NB596/NB170

**Figure Twelve
Height Adjust**

Item #	Description	Part#
130	Height Adj Rod	4006
131	1/2-13 Nut	NB213
132	Bellvile Washer	10635
134	Machine Bushing	NB177
135	1/2-13 Nylok Nut	NB281

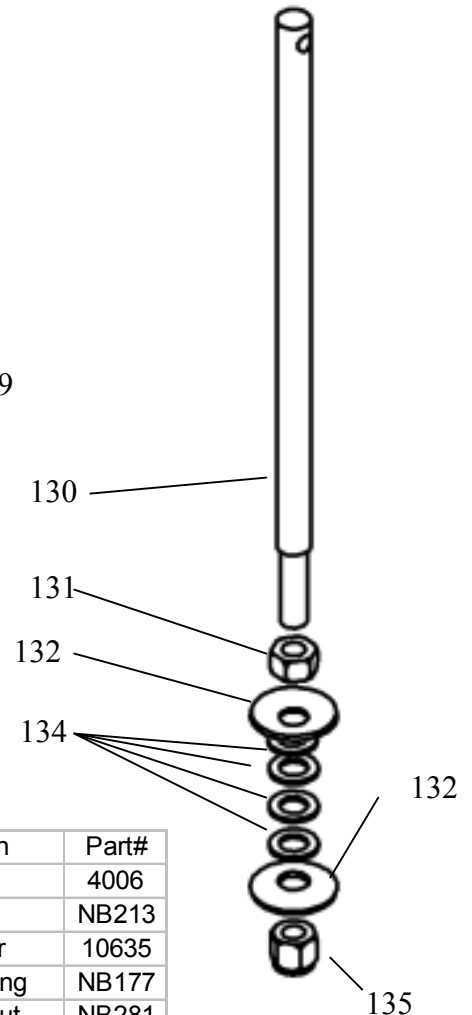
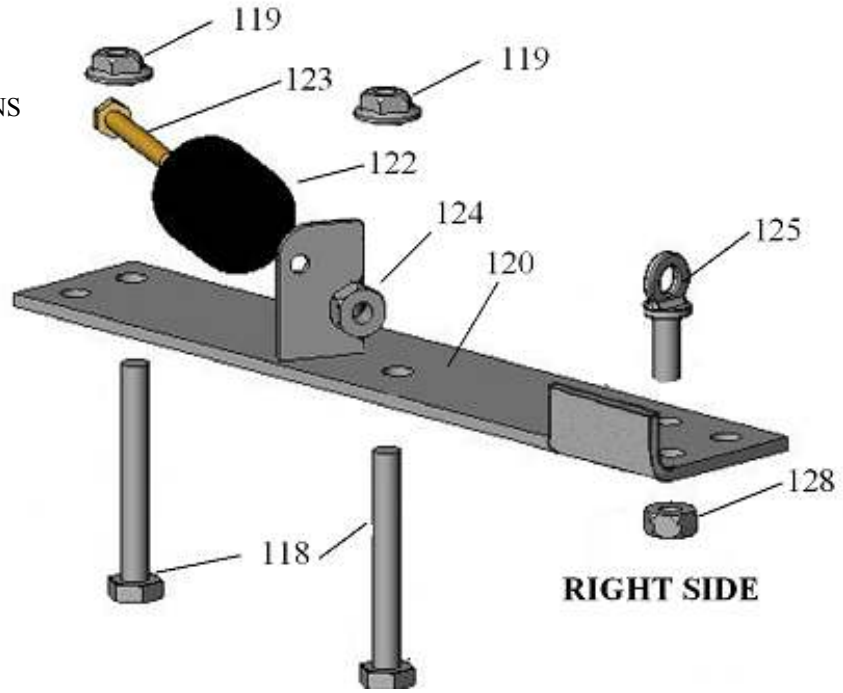


FIGURE ELEVEN
BRAKE ARM CONFIGURATIONS



Item #	Description	Part #
118	1/4-20 BOLT	NB162
119	1/4-20 NUT	NB524
120	BRAKE ARM	10589
121	1/4-20 NYLOCK	NB180
122	BRAKE PAD	9039
123	10-24 BOLT	NB710
124	10-24 KEP NUT	NB172
125	EYE BOLT	V139EB
128	1/4-20 NUT	NB180
129	1/4-20 BOLT	NB102
148	1/4-20 x 2 BOLT	NB218

