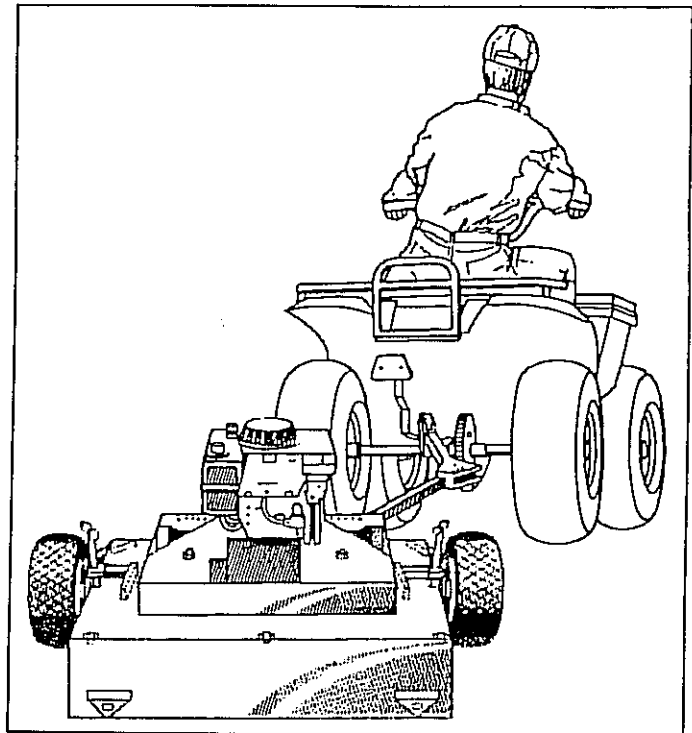


SWISHER

**OWNER'S
MANUAL**

**MODEL NO.
T842**



**42" UNIVERSAL
TRAILMOWER**



CAUTION:
Read and follow all
Safety Rules and
Instructions Before
Operating This
Equipment

Rev. 03.01.1998

**Assembly
Operation
Service and Adjustment
Repair Parts**

P.O. BOX 67, WARRENSBURG, MISSOURI 64093 PHONE 660-747-8183 FAX 660-747-8650
Manufacturing quality lawn care equipment since 1945

Made In The
USA

SAFETY RULES

Safe Operation Practices for Trailmowers

IMPORTANT: THIS CUTTING MACHINE IS CAPABLE OF AMPUTATING HANDS AND FEET, AND THROWING OBJECTS. FAILURE TO OBSERVE THE FOLLOWING SAFETY INSTRUCTIONS COULD RESULT IN SERIOUS INJURY OR DEATH.

I. GENERAL OPERATION

- Read, understand, and follow all instructions in the manual and on the machine before starting.
- Read this operator's manual carefully. Become familiar with the controls and know how to operate your mower properly.
- Only allow responsible adults, who are familiar with the instructions, to operate the machine.
- Clear the area of objects such as rocks, toys, wire, etc. which could be picked up and thrown by the blade.
- Be sure the area is clear of other people before mowing. Stop machine if anyone enters the area.
- Never carry passengers.
- Do not mow in reverse unless absolutely necessary. Always look down and behind before and while backing.
- Be aware of the mower discharge direction and do not point it at anyone. Do not operate the mower without the guard in place.
- Slow down before turning.
- Never leave a running machine unattended. Always turn off blades, and stop engine.
- Turn off blades when not mowing.
- Mow only in daylight or good artificial light.
- Do not operate the machine while under the influence of alcohol or drugs.
- Watch for traffic when operating near or crossing roadways.
- Use extra care when loading or unloading the machine into a trailer or truck.
- Do not attempt to operate the tow vehicle when not in driver seat.
- Disengage power to mower, stop engine when transporting or not in use.
- Exercise special care when mowing around fixed objects in order to prevent the blades from striking them. Never deliberately run tractor or mower onto or over any foreign object.
- Use mower only as the manufacturer intended and as described in the manual.
- Do not operate mower if it has been dropped or damaged in any manner. Always have damage repaired before using your mower.
- Always wear safety glasses or eye shields when starting and while using your mower.
- Dress properly. Do not operate mower when barefoot or wearing open sandals. Wear only solid shoes with good traction when mowing.
- Always make cutting height adjustments before starting your mower. Never attempt to do this while the engine is running.
- Keep your eyes and mind on your mower and the area being cut.
- Do not let other interests distract you.
- Do not put hands or feet near or under rotating parts. Keep clear of the discharge opening at all times.
- Before cleaning, inspecting, or repairing your mower, stop the engine and make absolutely sure the blade and all moving parts have stopped. Then disconnect the spark plug wire and keep it away from the spark plug to prevent accidental starting.
- Do not operate your mower if it vibrates abnormally. Excessive vibration is an indication of damage; stop the engine, safely check for the cause of vibration and repair as required.
- Never operate your mower without proper guards, plates, or other safety devices in place.

II SLOPE OPERATION

Slopes are a major factor related to loss-of-control and tipover accidents, which can result in severe injury or death. All slopes require extra caution. If you feel uneasy on it, do not mow it.

DO:


- Mow up and down slopes, not across.
- Remove obstacles such as rocks, tree limbs, etc.

- Watch for holes, ruts, or bumps. Uneven terrain could overturn the machine. Tall grass can hide obstacles.
- Use slow speed. Choose a low gear so that you will not have to stop or shift while on the slope.
- Follow the manufacturer's recommendations for wheel weights or counterweights to improve stability.
- Keep all movement on the slopes slow and gradual. Do not make sudden changes in speed or direction.
- Avoid starting or stopping on a slope. If tires lose traction, disengage the blades and proceed slowly straight down the slope.

DO NOT:

- Do not turn on slopes unless necessary, and then, turn slowly and gradually downhill, if possible.
- Do not mow near drop-offs, ditches, or embankments. The mower could suddenly turn over if a wheel is over the edge of a cliff or ditch, or if an edge caves in.
- Do not mow on wet grass. Reduced traction could cause sliding.

III. CHILDREN




CAUTION:
 TRAGIC ACCIDENTS CAN OCCUR IF THE OPERATOR IS NOT ALERT TO THE PRESENCE OF CHILDREN. CHILDREN ARE OFTEN ATTRACTED TO THE MACHINE AND THE MOWING ACTIVITY. NEVER ASSUME THAT CHILDREN WILL REMAIN WHERE YOU LAST SAW THEM.

- Keep children out of the mowing area and under the watchful care of another responsible adult.
- Be alert and turn machine off if children enter the area.
- Before and when backing, look behind and down for small children.
- Never carry children. They may fall off and be seriously injured or interfere with safe machine operation.
- Never allow children to operate the machine.


- Use extra care when approaching blind corners, shrubs, trees, or other objects that may obscure vision.

IV. SERVICE

- Use extra care handling gasoline and other fuels. They are flammable and vapors are explosive.
 - Use only an approved container.
 - Never remove gas cap or add fuel with the engine running.
 - Allow engine to cool before refueling. Do not smoke.
 - Never refuel the machine indoors.
 - Never store the machine or fuel container inside where there is an open flame, such as a water heater.
- Never run a machine inside a closed area.
- Keep nuts and bolts, especially blade attachment nuts, tight and keep equipment in good condition.
- Never tamper with safety devices. Check their proper operation regularly.
- Keep machine free of grass, leaves, or other debris build-up. Clean oil or fuel spillage. Allow machine to cool before storing.
- Stop and inspect the equipment if you strike an object. Repair, if necessary, before restarting.
- Never make adjustments or repairs with the engine running.
- Mower blades are sharp and can cut. Wrap the blade(s) or wear gloves, and use extra caution when servicing them.
- Check brake operation frequently. Adjust and service as required.



Look for this symbol to point out important safety precautions. It means **CAUTION!!! BECOME ALERT!!! YOUR SAFETY IS INVOLVED!!!**



CAUTION:
 Always disconnect the spark plug cable and place it where it can not contact the spark plug and disconnect the battery in order to prevent accidental startup when setting up, transporting, adjusting or making repairs.

SAFETY AND OPERATIONAL DECALS

Replace decal immediately if damaged. Order by part number from Swisher Mower and Machine Co. Inc.

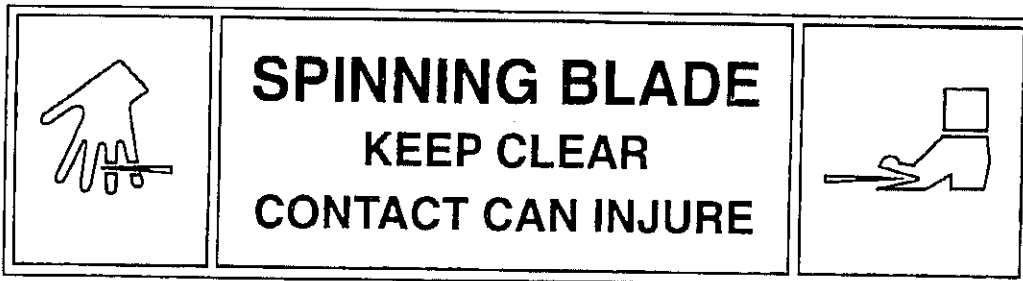


SERIOUS INJURY OR DEATH CAN OCCUR

- MOVING PARTS - SHARP BLADES - THROWN OBJECTS - POSSIBILITY OF ROLL OVER-
- GO UP AND DOWN SLOPES, NOT ACROSS.
- AVOID SUDDEN TURNS, SUDDEN CHANGES IN DIRECTION, SUDDEN CHANGES IN SPEED.
- IF MACHINE STOPS GOING UPHILL, STOP BLADE AND BACK SLOWLY DOWN.
- BE EXTRA CAUTIOUS ON ALL SLOPES AND UNEVEN SURFACES.
- DO NOT MOW WHEN CHILDREN OR OTHERS ARE AROUND.
- NEVER CARRY CHILDREN OR OTHERS AS PASSENGERS.
- LOOK DOWN AND BEHIND BEFORE AND WHILE BACKING.
- KEEP SAFETY DEVICES (GUARDS, SHIELDS, AND SWITCHES) IN PLACE AND WORKING.
- REMOVE OBJECTS THAT COULD BE THROWN BY THE BLADE.
- KNOW SAFE OPERATING INSTRUCTIONS BEFORE STARTING ENGINE.

— READ OPERATORS GUIDE FIRST —

59 Warning Decal



60 Danger Decal

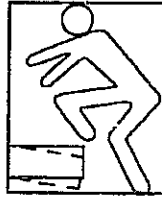
SAFETY AND OPERATIONAL DECALS

Replace decal immediately if damaged. Order by part number from Swisher Mower and Machine Co. Inc.



THIS DEFLECTOR MUST BE IN PLACE BEFORE OPERATING MOWER. KEEP ALL SHIELDS IN PLACE.

61 Caution Decal



64 No Step Decal



62 Danger Decal



65 Blade Decal



63 Speed Decal



66 Engine Power Decal

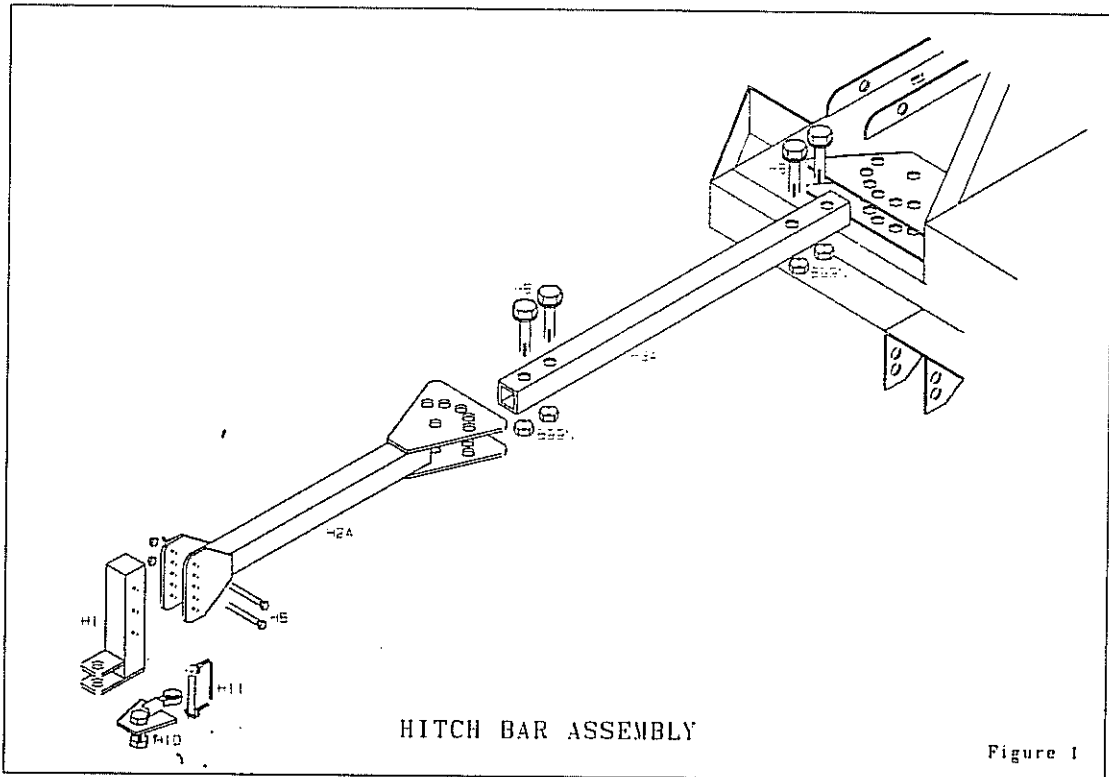


Figure 1

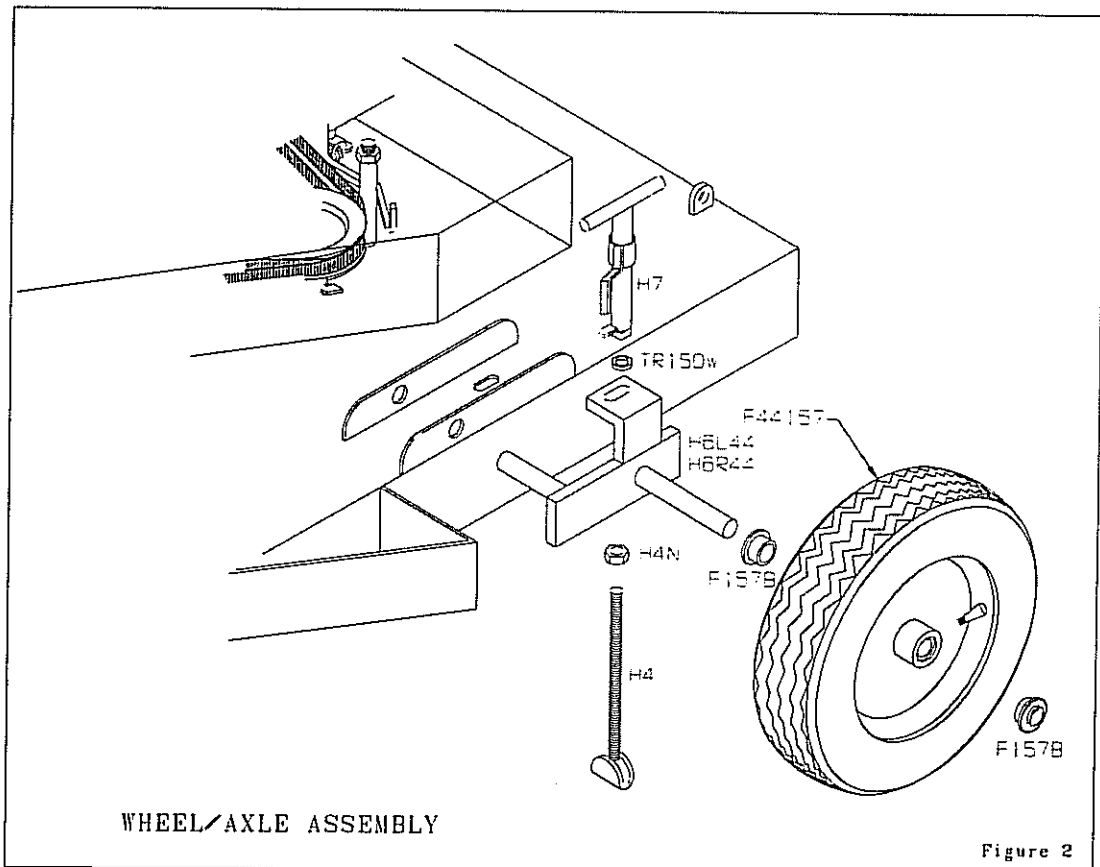


Figure 2

OPERATING YOUR NEW MOWER



The operation of any mower can result in foreign objects being thrown into the eyes, which can result in severe eye damage. Always wear safety glasses or eye shields before starting your mower and while mowing. We recommend wide vision safety mask for over the spectacles or standard safety glasses.



CAUTION:
TRAGIC ACCIDENTS CAN OCCUR IF THE OPERATOR IS NOT ALERT TO THE PRESENCE OF CHILDREN. CHILDREN ARE OFTEN ATTRACTED TO THE MACHINE AND THE MOWING ACTIVITY. NEVER ASSUME THAT CHILDREN WILL REMAIN WHERE YOU LAST SAW THEM.

STOPPING

- Move blade clutch lever to disengaged position.
- Move engine shut-off control to OFF position.
- Move throttle control to STOP position.

ATTACHING MOWER TO TOW VEHICLE

- Place mower behind tractor and back tractor up to it for attaching.
- Slide tow bar of mower over tractor drawbar so that holes line up.
- Insert hitch pin until it extends through the bottom of the tow bar.
- Place safety latch over the end of the hitch pin.
- The red tether is used to *manually disengage* the blades in normal operation, and *automatically disengage* the blades if the tow vehicle becomes separated from the Trailmower.
A black tether is used to manually engage the blades of the Trailmower without leaving the operator position.
- It is important that you securely attach both the blade engage and disengage tether to the tow vehicle.

TRANSPORTING YOUR MOWER

- Disengage blades
- Shut off mower engine
- Place mower deck in the highest cutting position

STARTING TO MOW

- Adjust mower cutting height.
- Start mower engine
- Move throttle to full position.
- Move mower blade clutch lever to the engaged position to start mower blades.



CAUTION:
NEVER OPERATE THE MOWER WITHOUT DISCHARGE CHUTE COVER IN ITS PROPER PLACE.

MOWER HEIGHT ADJUSTMENT



CAUTION:
SHUT OFF MOWER ENGINE AND REMOVE SPARK PLUG WIRE FROM SPARK PLUG BEFORE MAKING ANY ADJUSTMENTS TO THE MOWER.

The cutting height range is approximately 1-1/2 to 4-1/2 inches. The heights are measured from the ground to the blade tip with the engine not running. These heights are approximate and may vary depending upon soil conditions, height of grass and types of grass being mowed.

- The average lawn should be cut to approximately 2-1/2 inches during the cool season and to over 3 inches during hot months. For healthier and better looking lawns, mow often and after moderate growth.
- For best cutting performance, grass over 5 inches in height should be mowed twice. Make the first cut relatively high, the second to desired height.

CUTTING HEIGHT ADJUSTMENTS



CAUTION:
SHUT OFF MOWER ENGINE AND REMOVE SPARK PLUG WIRE FROM SPARK PLUG BEFORE MAKING ANY ADJUSTMENTS TO THE MOWER.

CUTTING HEIGHT ADJUSTMENTS (CONT)

- Rotate height adjustment crank handles (item #22 in fig. 4) in a clockwise direction to raise the mower and in a counter-clockwise direction to lower.
- Make sure that height adjustment is the same on both sides of the mower, as indicated by the graduated scales on the height adjustment tubes.
- **NOTE: Gradated scales are for reference only.**

FRONT TO BACK ADJUSTMENT

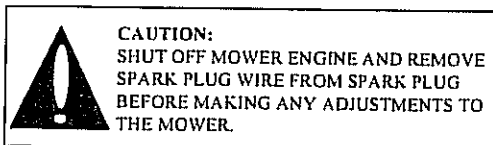
To obtain the best cutting results, the mower housing should be adjusted so that the front is approximately 1/4" to 3/4": lower than the rear. To check front to back adjustment measure from the bottom edge of the deck to the ground at both front and rear of the deck.

- Remove the bolts in the vertical hitch section (see fig. 6)
- Raise or lower the hitch center section to obtain the proper front to back adjustment.
- Re-install the bolts in the vertical hitch section and tighten securely.

TOW HITCH OFFSET ASSEMBLY

This trail mower has been designed to run offset from the center of the tow vehicle to provide additional cutting width. (refer to fig. 1 for assembly information)

- The adjustable tow hitch of this mower can be assembled in several positions from straight to approximately 40" offset to either side.
- We recommend when mowing with a tow vehicle equipped with mid mount mower to offset the trailmower to overlap the cut of the mid mount mower by approximately 6". This will need to be adjusted depending on the type of terrain, obstacles, and the tow vehicle being used.
- If your tow vehicle is not equipped with a mid mount mower the hitch can be adjusted to a straight position, but we recommend using the offset position to eliminate grass being crushed by the tow vehicle.

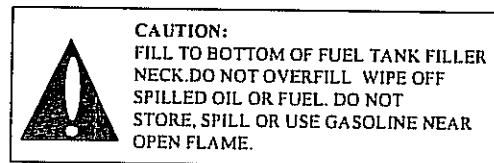


TOW HITCH OFFSET ASSEMBLY

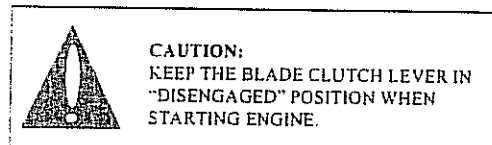
- Install rear hitch section (fig. 7 item #34) on mower bracket at the desired angle using 2 (two) 5/16-18 x 2 1/4" bolts and nuts. (See Fig. 7 item # 35)
- Attach center hitch section (fig. 7 item #32) to the rear hitch section at the desired angle using 2 (two) 5/16 - 18 x 2 1/4" bolts.
- Attach the vertical hitch section to the center hitch section per the instruction given in the front to back adjustment section of this manual.

BEFORE STARTING ENGINE

- Fill engine with oil. (See engine manual for proper procedure and requirements)
- Add gasoline. Fill fuel tank using fresh clean unleaded gasoline.



TO START ENGINE



- Make sure spark plug wire is properly connected.
- Place throttle control in "CHOKE" position if the engine is cold. A warm engine may not require choking to start.
- Grasp starter handle with one hand. Pull rope out slowly until engine reaches start of compression cycle (rope will pull slightly harder at this point)
- Pull rope with a rapid, continuous, full arm stroke. Keep a firm grip on starter handle and let rope rewind slowly. Do not let starter handle snap back against starter.
- When engine starts, move throttle control to the "RUN" position. (full throttle)
- Allow engine to warm up for a few minutes before engaging blades.

TO START ENGINE (cont.)

NOTE: If at a high altitude (above 3000 feet) or in cold temperatures (below 32F), the carburetor fuel mixture may need to be adjusted for best performance. (See Service and Adjustments section of the engine manual.)

BREAKING IN YOUR MOWER

Break in your belts, pulleys, and engine before you actually begin mowing.

- Start engine, engage blade control to start blades rotating and allow blades to rotate for approximately five minutes to break in mower and engine.



CAUTION:
CHECK AREA UNDER AND AROUND MOWER FOR ANY OBJECTS THAT COULD BE THROWN FROM UNDER MOWER. MAKE SURE THAT MOWER DISCHARGE AREA IS CLEAR.



CAUTION:
TRAGIC ACCIDENTS CAN OCCUR IF THE OPERATOR IS NOT ALERT TO THE PRESENCE OF CHILDREN. CHILDREN ARE OFTEN ATTRACTED TO THE MACHINE AND THE MOWING ACTIVITY. NEVER ASSUME THAT CHILDREN WILL REMAIN WHERE YOU LAST SAW THEM.



CAUTION:
NEVER CARRY CHILDREN. THEY MAY FALL OFF AND BE SERIOUSLY INJURED OR INTERFERE WITH SAFE OPERATION.

SUGGESTED MOWING PRACTICES

- Mowing should be started with tractor in low gear and speed increased only as mowing conditions will safely permit. This speed should not exceed 3 1/2 mph.
- Mower will perform at its best when engine throttle is set for full throttle.
- Better mowing results will be obtained in grassy areas if they are mowed when the grass is approximately 4" to 5" maximum height. While your mower will cut grass taller than 5" you will experience a substantial increase in the horsepower required and some change in the finished appearance of the area mowed.
- Mowing conditions will vary from place to place, including the types of grass which are being mowed, such as fine stalk, coarse stalk, dense or sparse grasses. When mowing tall grass you may find that the pressure of wheel tracks may cause certain grasses to be pushed downward and will not be mowed properly. If this condition exists you may have to mow the area twice, the first mowing with the mower raised and the second mowing at the normal height that you have chosen. If it is practical, better results will be found if the second mowing is at right angle in travel to the previous mowing.
- Do not mow grass when it is wet. Wet grass will accumulate under the mower deck and leave undesirable clumps. Allow grass to dry before mowing.
- Always operate mower engine at full throttle when mowing to assure better mowing performance and proper discharge of material. Regulate ground speed by selecting a low enough gear to give the mower cutting performance as well as the quality of cut desired.
- When operating any attachment select a ground speed that will suit the terrain and give best performance of the attachment being used.

MOWER MAINTENANCE

GENERAL RECOMMENDATIONS

The warranty on this Trailmower does not cover units that have been subjected to operator abuse or negligence. To receive full value from the warranty, operator must maintain unit as instructed in this manual.

Some adjustments will need to be made periodically to properly maintain your unit. -

Periodic adjustments in the Service and Adjustments section of this manual should be checked at least once each season.

BEFORE EACH SEASON

Replace the spark plug.

Clean or replace the air filter.

Check blades and belts for wear.

New spark plug and clean air filter assure proper air-fuel mixture and help your engine run better and longer.

BEFORE EACH USE

Check engine oil level. (Do this twice to insure an accurate reading.)

Check blade operation

Check for loose fasteners.

DAILY MAINTENANCE

Make sure all nuts and bolts are tight, cotter pins and tensioner springs are secure. Keep blades sharp. Observe all Safety Precautions. Keep mower well lubricated.

BLADE CARE AND SERVICE

For best results mower blades must be kept sharp. Blades can be sharpened with a few strokes of a file or on a grinding wheel. Do not attempt to sharpen while on mower.



CAUTION:
DO NOT HANDLE MOWER BLADES WITH BARE HANDS. CARELESS OR IMPROPER HANDLING MAY RESULT IN SERIOUS INJURY.

- To remove blade for sharpening, use wooden block to hold blade while removing the blade mounting nut. The nuts have right hand threads.
- When grinding, care should be taken to maintain blade balance and the blade should be checked for proper balance before reinstalling on mower.
- Check and balance. File material off heavier end of blade until it is balanced.

To insure satisfactory operation, it is recommended that before the start of each mowing season the old blades be discarded and replaced with new blades.

NOTE: Check nuts and blades occasionally to make sure nuts are tight.



CAUTION:
SHUT OFF MOWER ENGINE AND REMOVE SPARK PLUG WIRE FROM SPARK PLUG BEFORE MAKING ANY ADJUSTMENTS TO THE MOWER.

CLEANING THE MOWER

Water pressure from a garden hose will remove fresh clippings from the underside of the mower. Clean mower after each use.

REPAIR PARTS

Your Trailmower has been produced with components designed for your unit. Although standard V-belts, bearings, blades, pulleys, etc. may look like parts used on your rotary mower, and while similar in appearance, many are of a different construction and could in some cases cause a malfunction in the operation of the machine.

For continued satisfactory performance use only repair parts supplied by the manufacturer. See your SWISHER dealer for replacement parts.

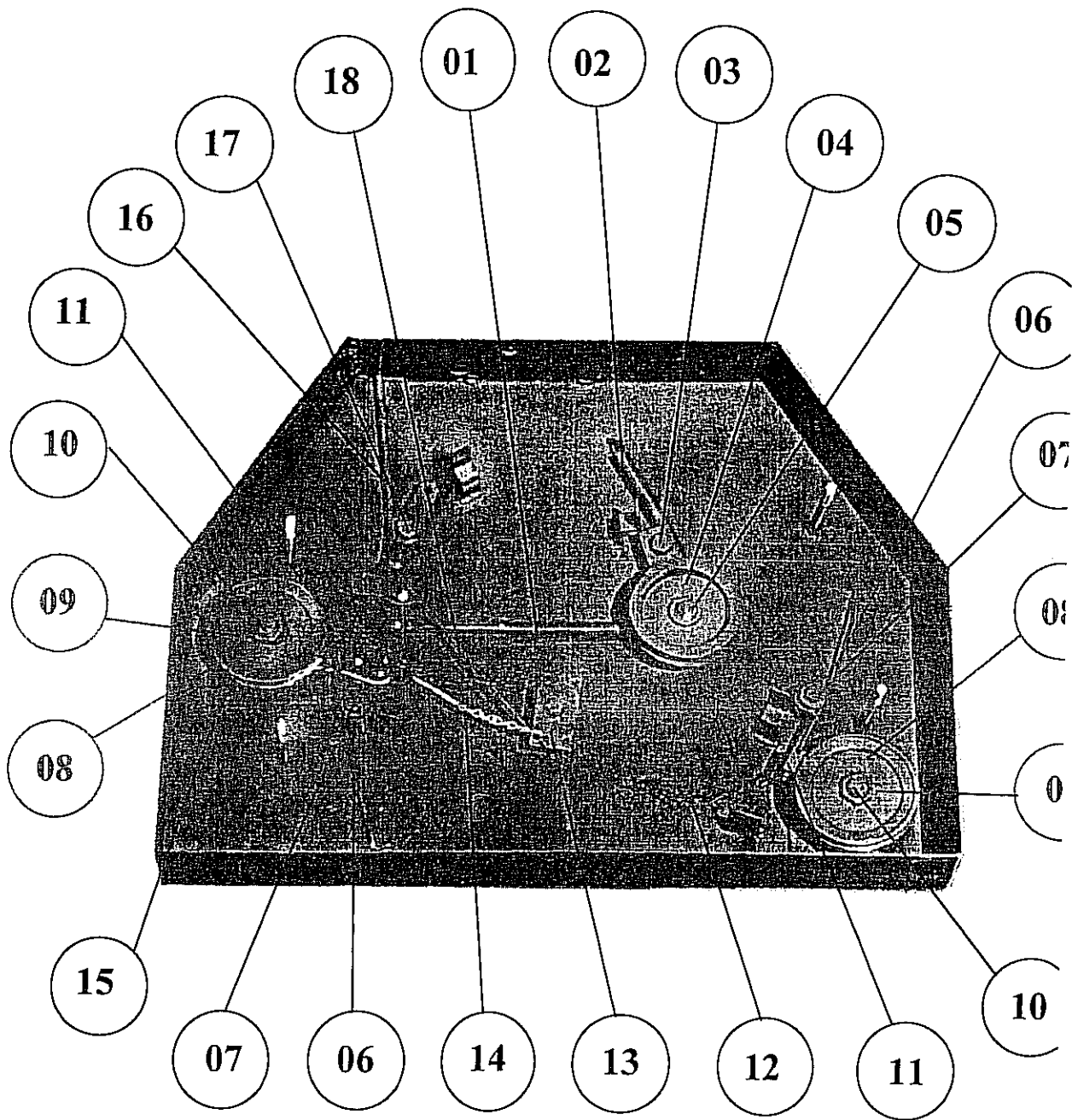


Figure 3

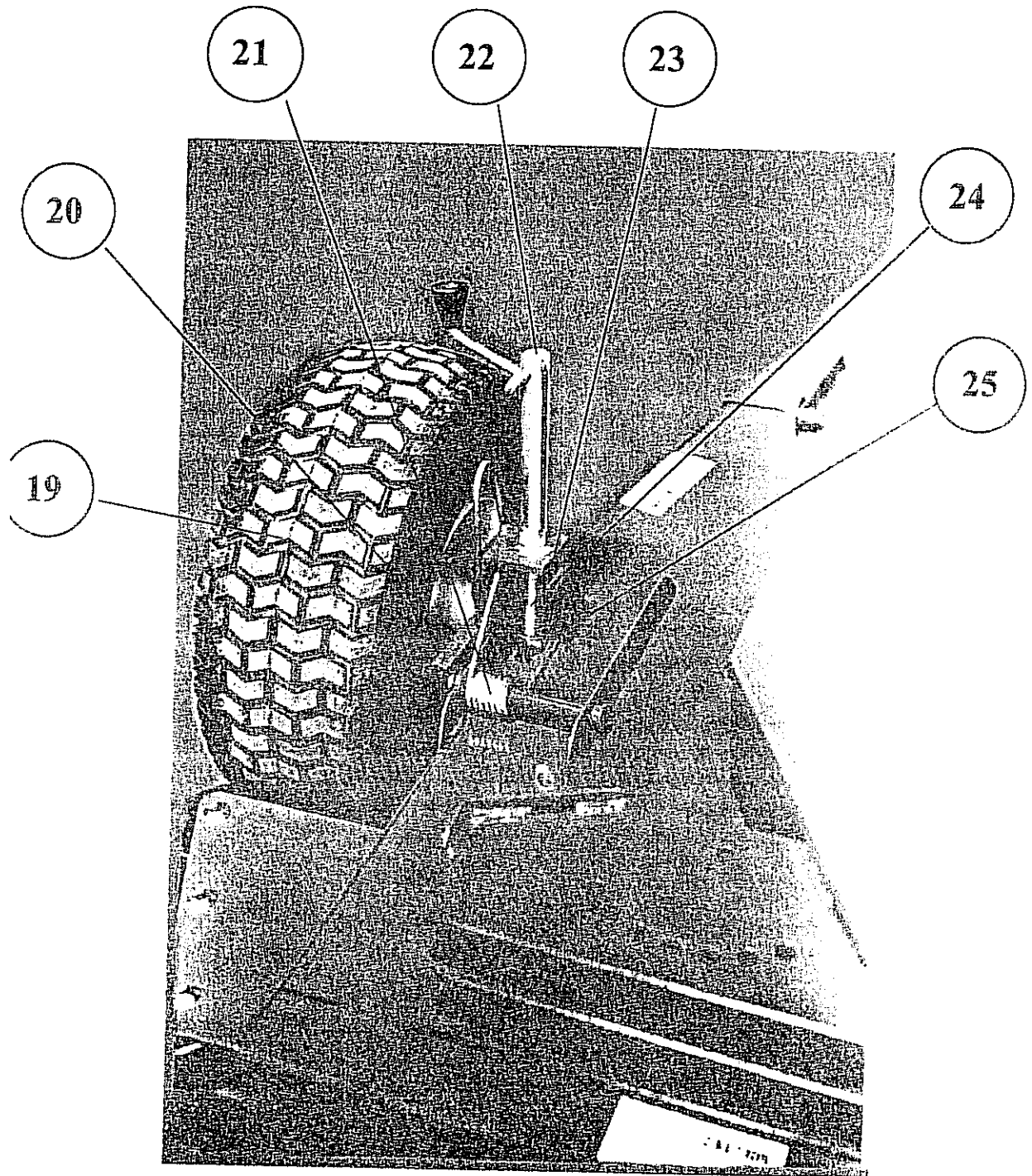


Figure 4

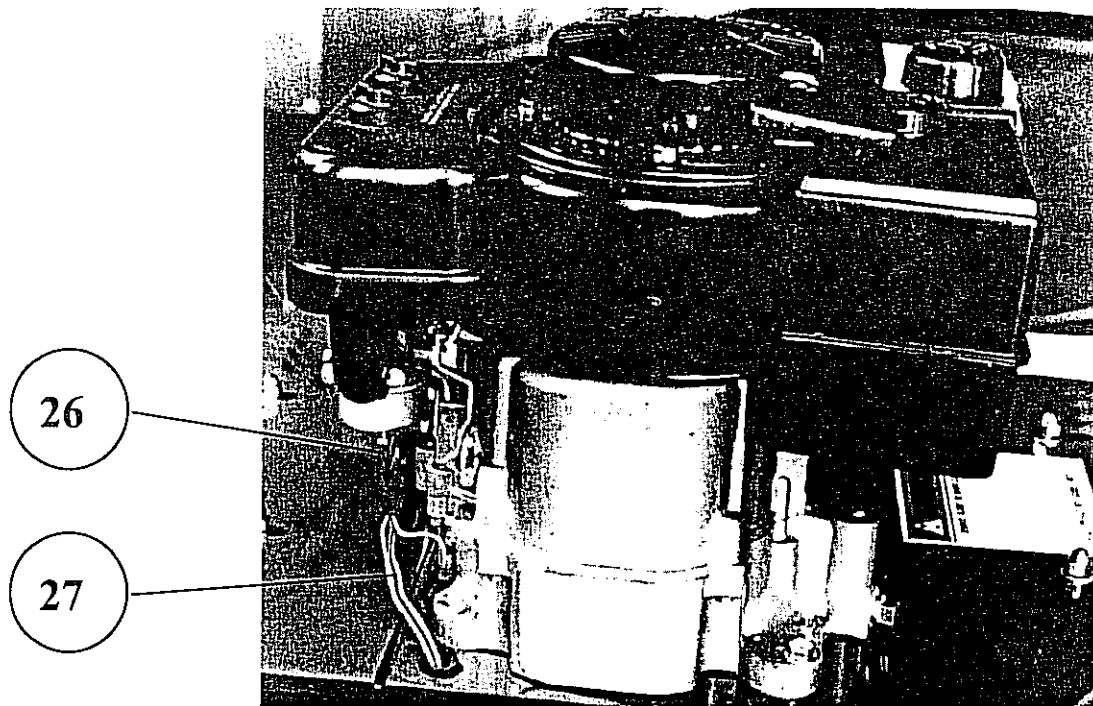


Figure 5

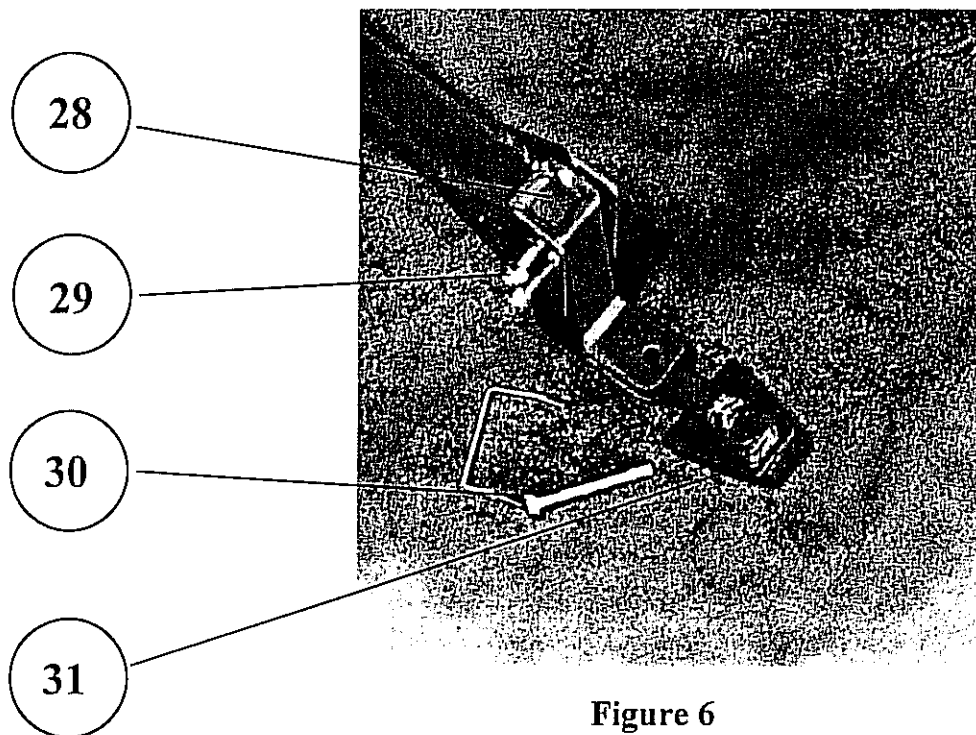


Figure 6

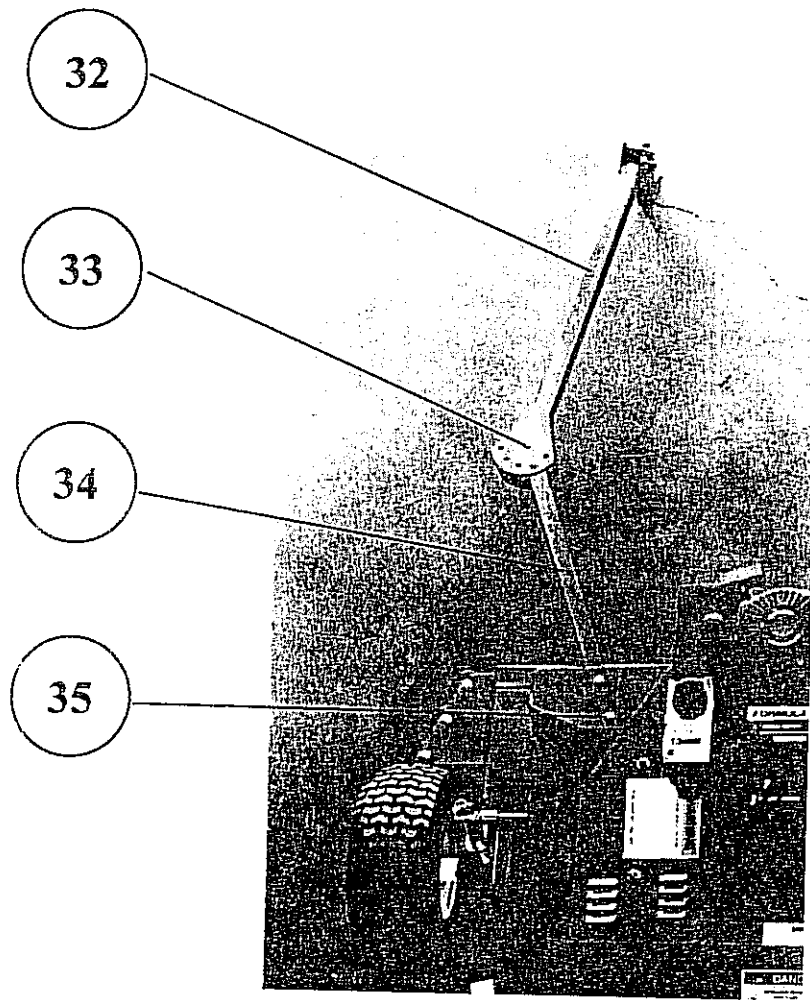


Figure 7

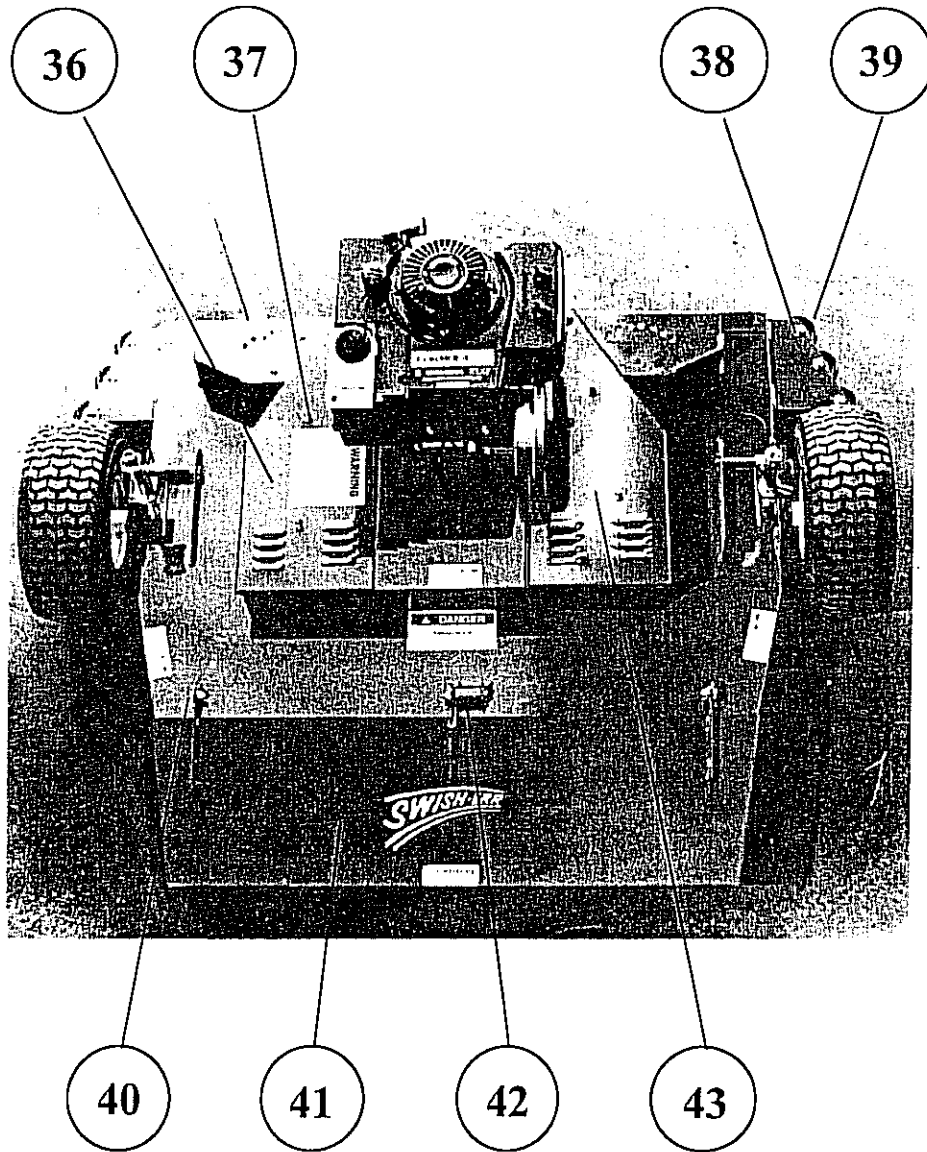


Figure 8

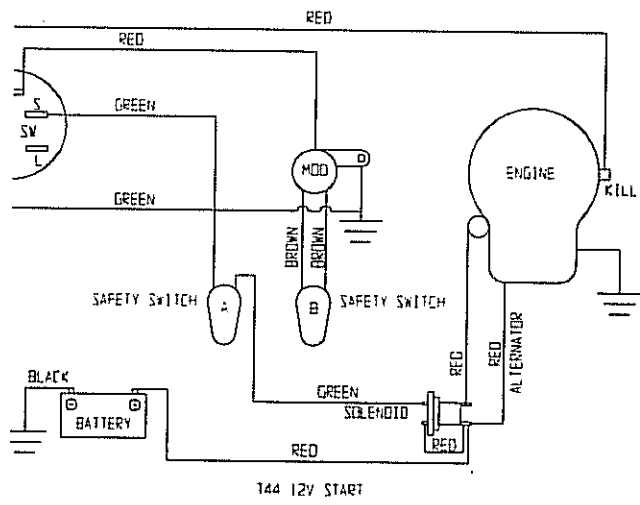
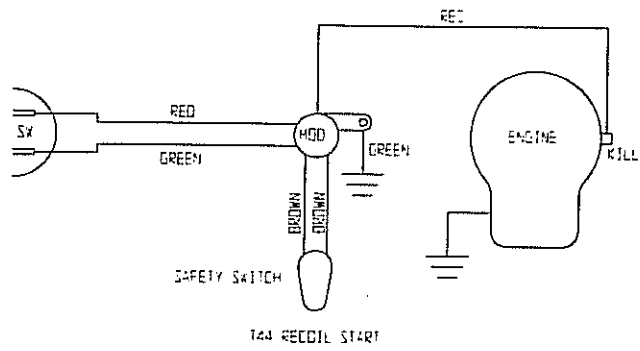


Figure 9

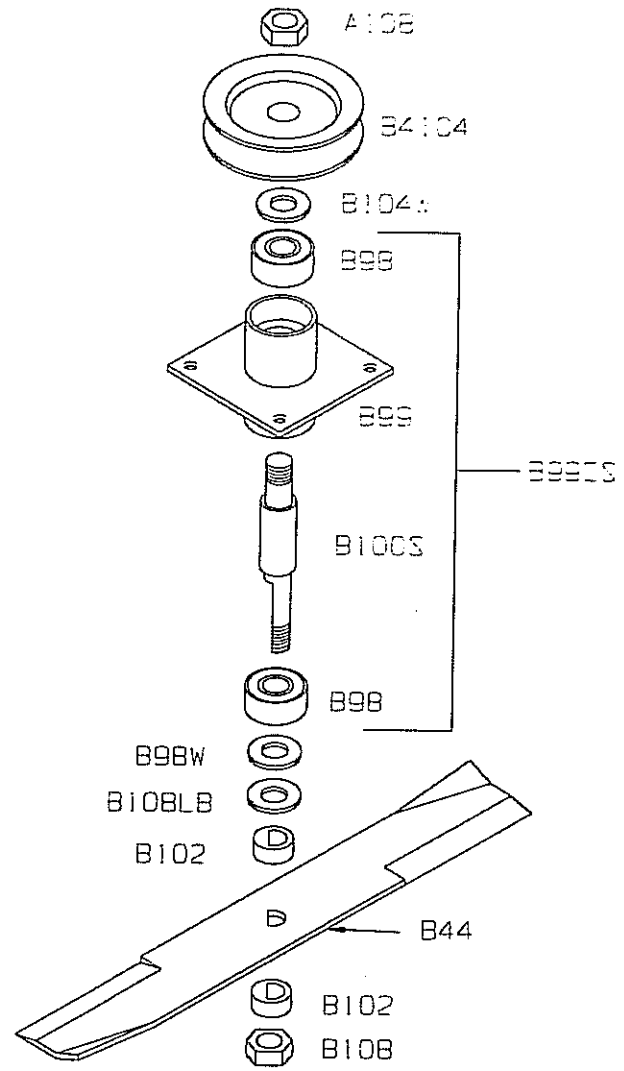


Figure 10

Replacement Parts

<u>Item #</u>	<u>Part #</u>	<u>Description</u>
01	B25R44	Idler control rod & spring
02	682S	Spring
03	B21	Shoulder bolt and nut
04	B527	Pulley
05		Idler components
	B28	Bolt
	B26	Nut
	678R	Idler arm
06	BT297	Brake spring
07	BT297B	Bolt
	BT297S	Spacer
	BT297W	Washer
	BT297N	Nut
08		See figure 10
09		See figure 10
10		See figure 10
11	BP370	Brake pad
12	BT3	Chain - 14 link
13	BT97	Brake pivot arm
	BT97B	Bolt
	BT97S	Spacer
	BT97N	Nut
14	SSSC	Safety switch
15	B99CB	Bolt and nut
16	BT544	Blade engage arm assembly
17	B21	Shoulder bolt and nut
18	BL370	Brake link
19	F44157	Tire/wheel/bearing
20	H6L44	Axel bracket - left
	H6R44	Axel bracket - right
21	H5L	Torsion spring - left
	H5R	Torsion spring - right
22	H7N	Height adjust crank
23	TR150W	Washer
24	H4	Height adjust bolt
25	H4N	Nut
26	Mod1	Briggs and Stratton
	Mod2	Tecumseh
27	WH44B	Briggs and Stratton wiring harne
	WH44T	Tecumseh wiring harness
28	H1	Hitch - vertical front end
29	H8/B99N	Bolt and nut
30	H11	Hitch safety pin
31	H10	Hitch swivel
32	H2A44	Hitch center section

Replacement Parts

<u>Item #</u>	<u>Part #</u>	<u>Description</u>
33	H8/B99N	Bolt and nut
34	H3A	Hitch rear section
35	H8/B99N	Bolt and nut
36	A44155L	Belt cover - left
37	FR154N	Nut and washer
38	BR2/BR47N	Bolt and nut
39	BR297	Roller
40	H41AB	Bolt and nut
41	H41A	Grass chute
42	H41ASB	Bolt and nut
43	A44155R	Belt cover - right

Items not shown

44	BT44	Blade engage rope - black
45	H9B	Blade disengage rope - red
46	BA66	Blade belt
47	BB105	Engine pulley
48	BB105S	Engine pulley spacer
49	BT644/B19	Blade engage lever and knob
50	KSM	Key switch
51	SWR3	Anti-scalp rollers

Items not shown 12 volt models only

52	KS12	Key switch
53	SS	Safety switch
54	SOL NEW	Solenoid
55	BAT	12 volt battery
56	BCSR	Battery cable - red
57	BCS	Battery cable black
58	WH44B12V	Wiring harness

Decals and Labels

59	D30	Warning decal
60	D29	Danger decal
61	D36	Caution - deflector decal
62	D55	Danger - hand decal
63	D33	Speed decal
64	D11	No step decal
65	D10	Blade engage decal
66	D28	Engine power decal



OWNER'S MANUAL

MODEL NO.
T842

HOW TO ORDER
REPAIR PARTS.

42" UNIVERSAL TRAILMOWER

Each mower has its own model number. Each engine has its own model number. The model number for the mower will be found on the right hand side of the drive belt housing. The model number for the engine will be found on the top of the blower fan housing.

All mower parts listed herein may be ordered directly from Swisher Mower & Machine Co. Inc. or your nearest Swisher dealer.

All engine parts may be ordered from the nearest dealer of the engine supplied with your mower.

WHEN ORDERING PARTS, PLEASE HAVE THE
FOLLOWING INFORMATION AVAILABLE.

- * PRODUCT - TRAILMOWER
- * SERIAL NUMBER - _____
- * MODEL NUMBER - _____
- * ENGINE MODEL NUMBER - _____
TYPE - _____
- * PART NUMBER
- * PART DESCRIPTION

TELEPHONE - 1-800-222-8183

FAX - 1-660-747-8650

SWISHER MOWER & MACHINE CO. INC.
P.O. BOX 67
WARRENSBURG, MO 64093

SWISHER MOWER & MACHINE CO. INC.

PRINTED IN U.S.A