

SAFETY AND OPERATIONAL DECALS

Replace decal immediately if damaged. Order by part number from Swisher Mower and Machine Co. Inc.



OD55--DANGER DECAL



OD45--WARNING DECAL



OD83--RN1234 SHIFT DECAL



10749--REVERSE LOCK DEECAL



OD39--SWISHER FLAG DECAL



OD99112—LARGE LOGO WHITE DECAL

DECALS NOT SHOWN

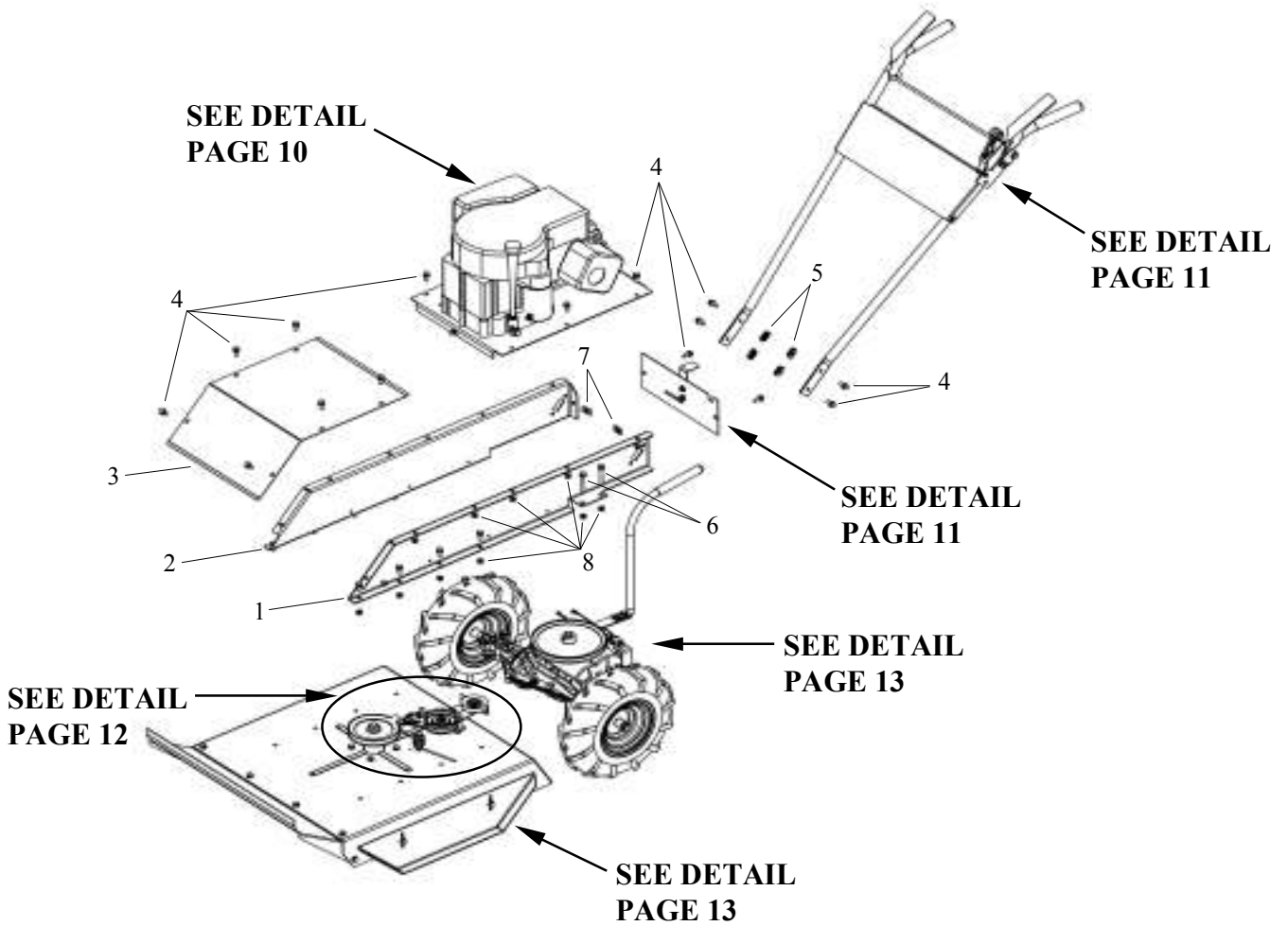
OD85--Predator LH Decal

OD86--Predator RH Decal

OD71--New Serial # Decal

OD87--Rugged Cut 24 4SP Trans White Decal

OVERALL ASSEMBLY



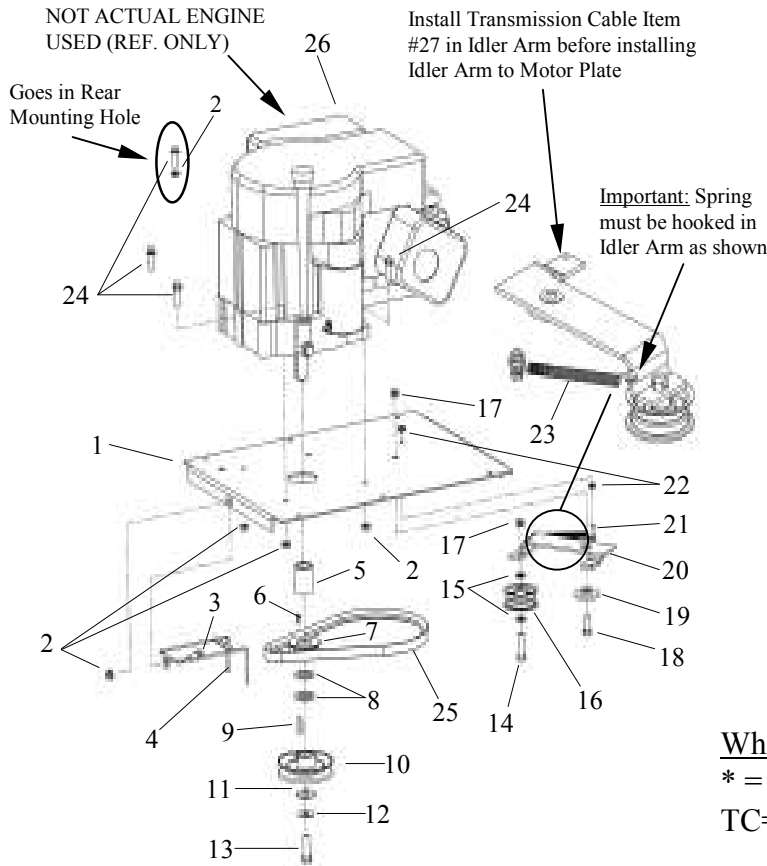
Item #	Description	Part #
1	Predator Side Channel (Left)	10677TC
2	Predator Side Channel (Right)	10676TC
3	Predator Belt Cover	10682TC
4	5/16-18 X 3/4 Serr. Flange Bolt	NB596
5	Tinnerman Clips 5/16-18 Heavy Duty	3669
6	5/16-18 X 2 1/4 Serr. Flange Bolt GR5 ZP	NB622
7	Tinnerman Clip 5/16-18	3706
8	5/16-18 Serr. Flange Nut	NB170

When ordering replacement parts

* = USE PAINT CODE:

TC=TEX.RED,S=SILVER,TK=TEX.BLACK

ENGINE-PULLEY ASSEMBLY

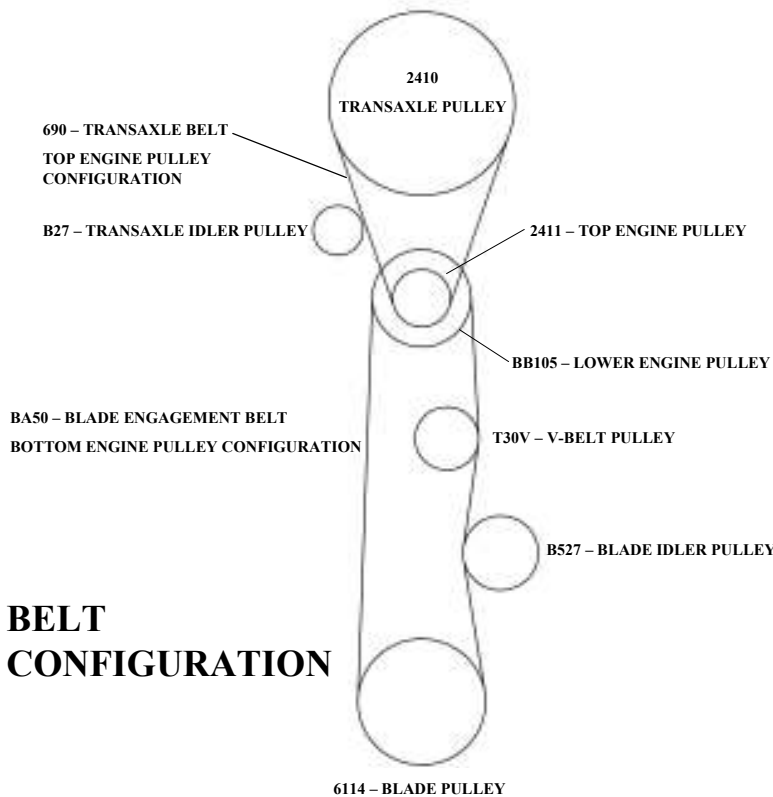


Item #	Description	Part #
1	Motor Plate	10678TC
2	5/16-18 Serr. Flange Nut	NB170
3	5/16-18 X 3/4 Serr. Flange Bolt	NB596
4	Belt Retention Weldment	10767
5	Engine Pulley Spacer 1.75" Long	BB105S
6	1/4 X 1/2 Key Stock	4258
7	Engine Pulley- 2.5"	2411
8	1 X 1 1/2 10GA Washer	NB614HT
9	1/4 X 1 Key Stock	9031
10	Engine Pulley- 4.25"OD, 1 1/4 ID	BB105
11	Washer, Front Wheel (Heat Trtd)	TR150W
12	Washer Belleville	699
13	7/16-20 X 1 1/2 HCF GR5 ZP NYLOC	NB637
14	3/8-16 X 1 1/2 HCCG	NB107
15	3/8 SAE Washer	NB272
16	Idler Pulley OD-2.16", ID-3/8"	B27
17	3/8-16 2 Way Locking Nut	NB280
18	3/8-16 X 1 GR5 ZP Bolt	NB604
19	Idler Bushing	6037
20	Idler Arm	10671TK
21	1/4-20 X 3/4 GR5 ZP Bolt	NB250
22	1/4-20 Serr. Flange Nut	NB524
23	Spring	T2SM
24	5/16-18 X 1 1/4 Serr. Flange Bolt	NB253
25	Transmission Belt-33"	690
26	Engine B&S Recoil St W/Gas Tank	N/A
27	Transmission Cable	2432

When ordering replacement parts

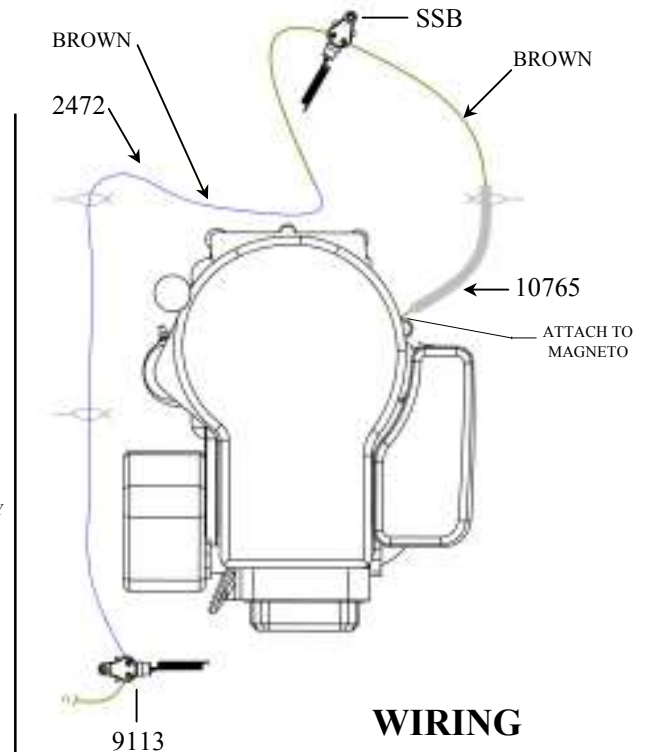
* = USE PAINT CODE:

TC=TEX.RED,S=SILVER,TK=TEX.BLACK



BELT CONFIGURATION

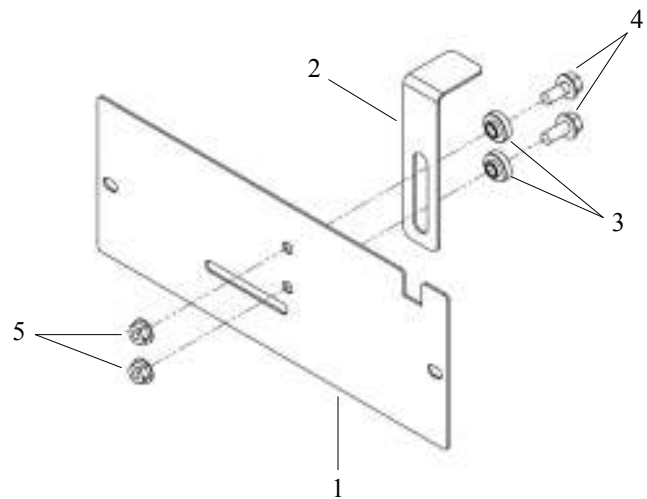
NOTE: WIRES MUST PASS THROUGH ALL WIRE GUIDES POSSIBLE



WIRING CONFIGURATION

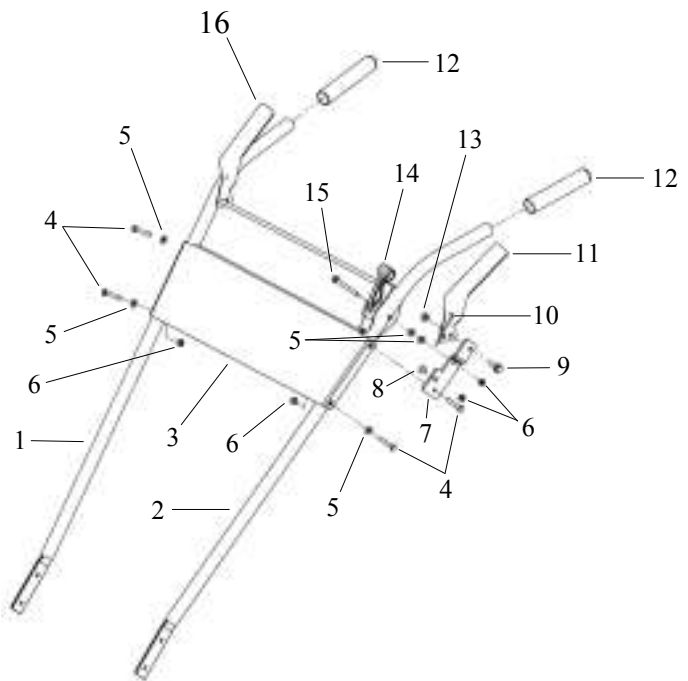
REAR COVER ASSEMBLY

Item #	Description	Part #
1	Rear Cover	10679TC
2	Anti Reverse Arm	10680TK
3	Spacer	B99S
4	5/16-18 X 3/4 Serr. Flange Bolt	NB596
5	5/16-18 Serr. Flange Nut	NB170



HANDLE BAR & LEVER ASSEMBLY

Item #	Description	Part #
1	Predator Handle Bar (RIGHT)	10687TK
2	Predator Handle Bar (LEFT)	10688TK
3	Predator Crossover Console	10686TK
4	1/4-20 X 1 1/2 HCC GR2 ZP	NB104Z
5	1/4 SAE Washer	NB274
6	1/4-20 Nylok Nut	NB180
7	Blade Lever Cable Plate	10713TK
8	1/4-20 X 1/2 MSC ZP Truss Slot	NB113
9	5/16-18 X 3/4 Serr Flange Bolt	NB596
10	Transaxle Idler Cable	2432
11	Predator Engagement Lever	10685TK
12	Handle Grip	7826
13	5/16-18 Nylok Nut	NB181
14	Latching Drive Control	4295
15	1/4-20 X 2 1/2 Flange Bolt	NB208
16	Blade Engagement Lever Weldment	10730TK



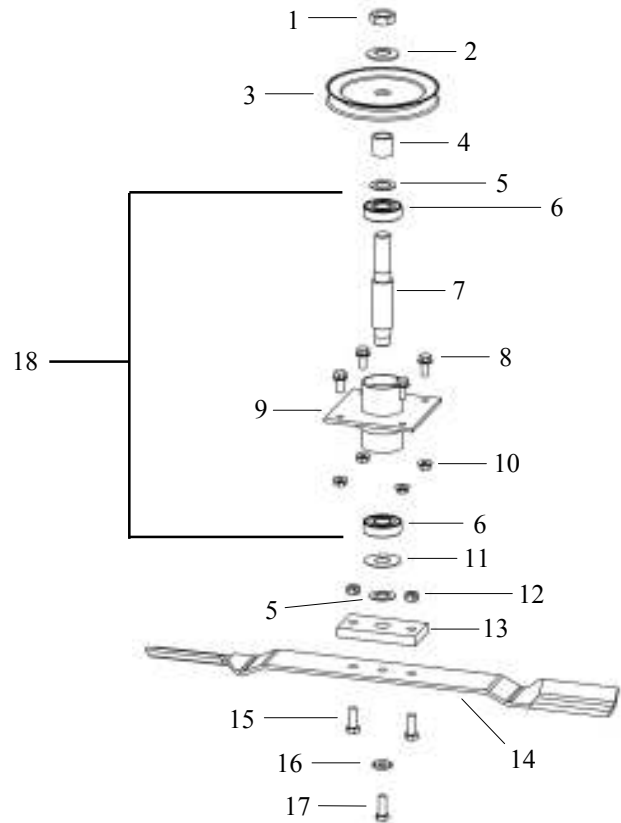
When ordering replacement parts

* = USE PAINT CODE:

TC=TEX.RED,S=SILVER,TK=TEX.BLACK

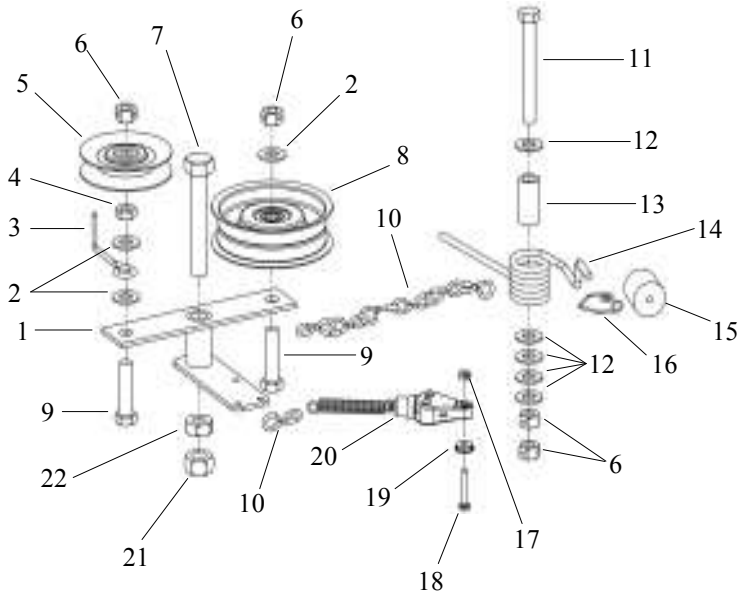
BLADE DRIVER ASSEMBLY

Item #	Description	Part #
1	3/4-16 Jam Nut	NB175
2	1.5x.761x.098x.134 Belleville Washer	AS155
3	Blade Pulley-5.5"	6114
4	Pulley Spacer	6104RS
5	3/4 ID X 1 1/4 OD 18 GA Washer	NB179
6	Blade Bearing	B98
7	Blade Shaft 6"- Long Shoulder	9078
8	5/16-18 X 3/4 Serr. Flange Bolt	NB596
9	Blade Bearing Housing	9091TK
10	5/16-18 Serr. Flange Nut	NB170
11	3/4 ID X 1 3/4 OD Flat Washer	B98W
12	3/8-24 Two Way Locknut	NB216
13	Blade Mount Plate	9008
14	Blade 24"	9016
15	3/8-24 X 1 Bolt	NB238
16	SP Washer Bellm. PLN .413 X .945 X .118	NB607
17	3/8-24 X 1 Engine Bolt Lockite	NB238N
18	Blade Driver Assy	10712



BRAKE ASSEMBLY

Item #	Description	Part #
1	Blade Idler Weldment	10668TK
2	3/8 SAE Washer	NB272
3	Finger for Belt Release	T30F
4	3/8-16 Jam Nut	NB174
5	Pulley, Idler Clutch, 2 3/4 OD	T30V
6	3/8-16 2-Way Lock Nut	NB280
7	1/2-13 X 3 HCC GR5 Bolt ZP	NB131
8	Idler Pulley OD-3.25", ID-3/8"	B527
9	3/8-16 X 1 1/2 HCC GR5 ZP	NB107
10	Sgl Jk Chn, Zps, Sz12, 16#	AS080
11	3/8-16 X 2 1/2 HTC GR5 ZP	NB619
12	3/8 Hardened Washer	NB196
13	Spacer .625 OD X 1.25 X 11 GA	8072TK
14	Torsion Brake Spring	BT297
15	Brake Pad-Cylindrical	9114
16	Brake Pad Retainer Spring	BP370S
17	8-32 Nylok Nut	NB193
18	8-32 X 1 Slot HWH ZP	10742
19	8-32 Kep Nut	NB201
20	Safety Switch Assy- Brown Wires	SSB
21	1/2-13 2-Way Jam Lock Nut	NB121
22	1/2-13 Nut GR2 ZP	NB213Z



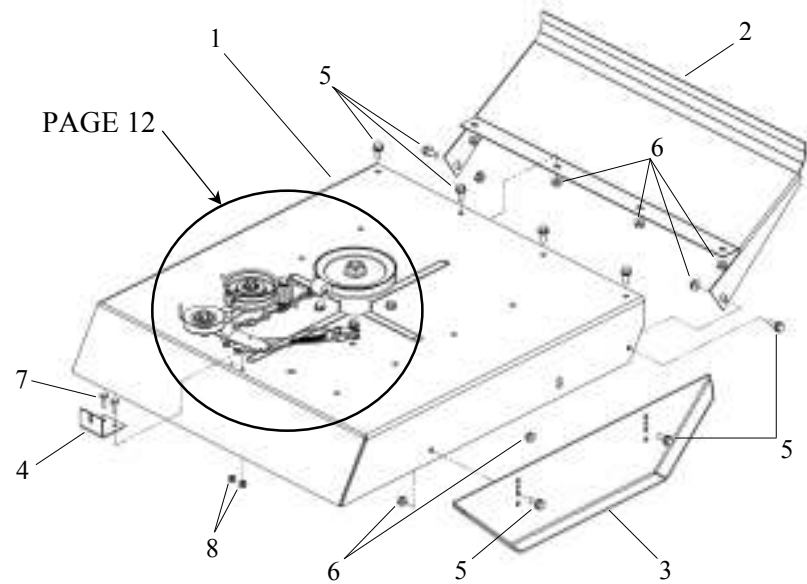
When ordering replacement parts

* = USE PAINT CODE:

TC=TEX.RED,S=SILVER,TK=TEX.BLACK

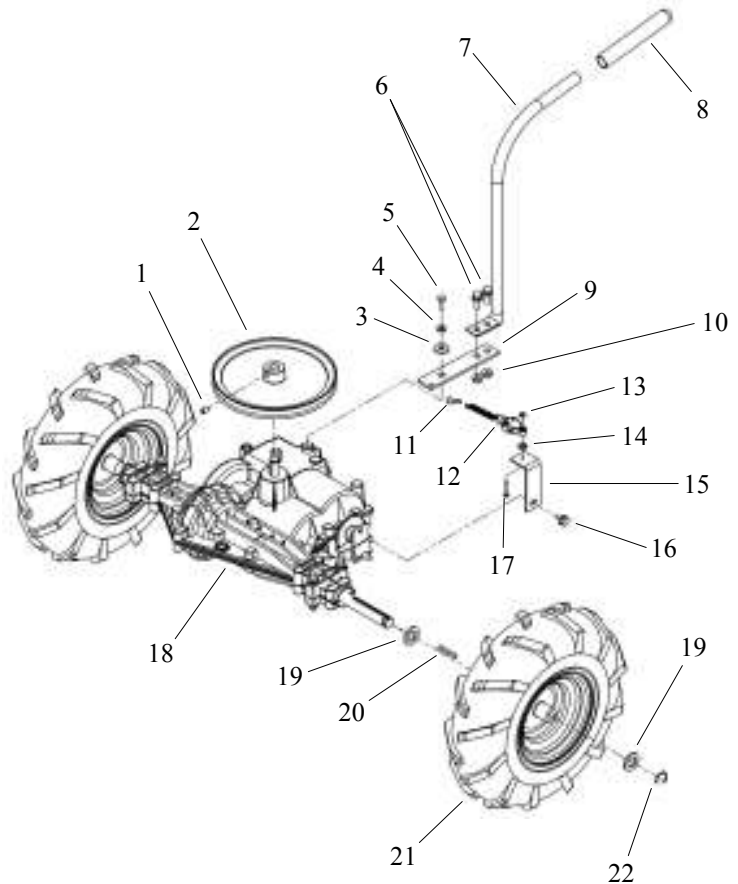
MOWER DECK ASSEMBLY

Item #	Description	Part #
1	Deck Weldment	10695TC
2	Brush Guard	10681TK
3	Deck Side Skid	10683TK
4	Blade Engagement Cable Clip	10673TK
5	5/16-18 X 3/4 Serrated Flng Bolt	NB596
6	5/16-18 Serrated Flng Nut	NB170
7	1/4-20 X 3/4 GR5 ZP Bolt	NB250
8	1/4-20 Nylok Nut	NB180



TRANSAXLE ASSEMBLY

Item #	Description	Part #
1	5/16-18 X 1/2 SSC With Loctite H	NB312
2	Transmission Pulley- 8"	2410
3	SP Washer Bellm. PLN .413 X .945 X .118	NB607
4	1/4 SAE Washer	NB274
5	1/4-28 X 3/4 GR5 ZP	NB620
6	5/16-18 X 3/4 Serr Flng Bolt	NB596
7	Transmission Shift Handle	10684TC
8	Transmission Lever Grip	2427
9	Transmission Shift Lever	10715TC
10	5/16-18 Serrated Flng Nut	NB170
11	Sgl Jk Chn, Zps, Sz12, 16#	AS080
12	Safety Switch	9113
13	8-32 Nylok Nut	NB193
14	8-32 Kep Nut	NB201
15	Neutral Switch Bracket	10738
16	5/16-18 x 1/2 HWH Rolok Screw ZP	10743
17	8-32 X 1 Slot HWH ZP	10742
18	Transaxle	4256
19	3/4ID X 1 1/4OD 10 GA. Washer	NB184
20	3/16 X 1 1/2 Key Stock	2434
21	Wheel Assy. Left 4.8x8	2401L
	Wheel Assy. Right 4.8X8	2401R
22	3/4 E-Style Retaining Ring	NB621



When ordering replacement parts

* = USE PAINT CODE:

TC=TEX.RED,S=SILVER,TK=TEX.BLACK