

**SWISHER**

# OWNER'S MANUAL

STARTING SERIAL #:  
L105-074001

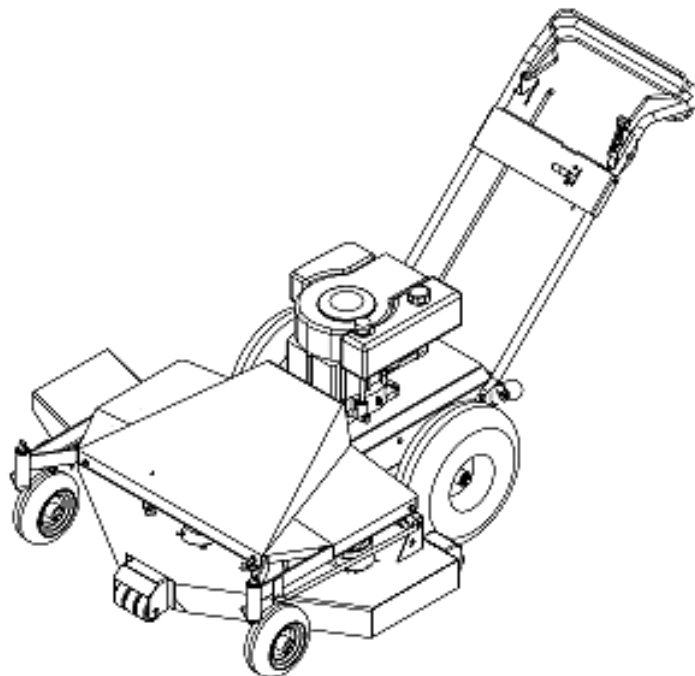
**MODEL NO.**  
**WB11542F**



**Important!**

Read and follow all Safety  
Rules and Instructions  
before operating this  
equipment.

Rev.



## **THE FINISHING TOUCH** **42" FINISH CUT MOWER SELF PROPELLED** **WALK BEHIND**

**Assembly**  
**Operation**  
**Service and Adjustment**  
**Repair Parts**

**SWISHER**

## SAFETY AND OPERATIONAL DECALS

Replace decal immediately if damaged. Order by part number from Swisher Mower and Machine Co. Inc.



OD30 – WARNING DECAL



OD36 – DEFLECTOR DECAL



OD43 – FLYING DEBRIS DECAL



OD55 – DANGER DECAL

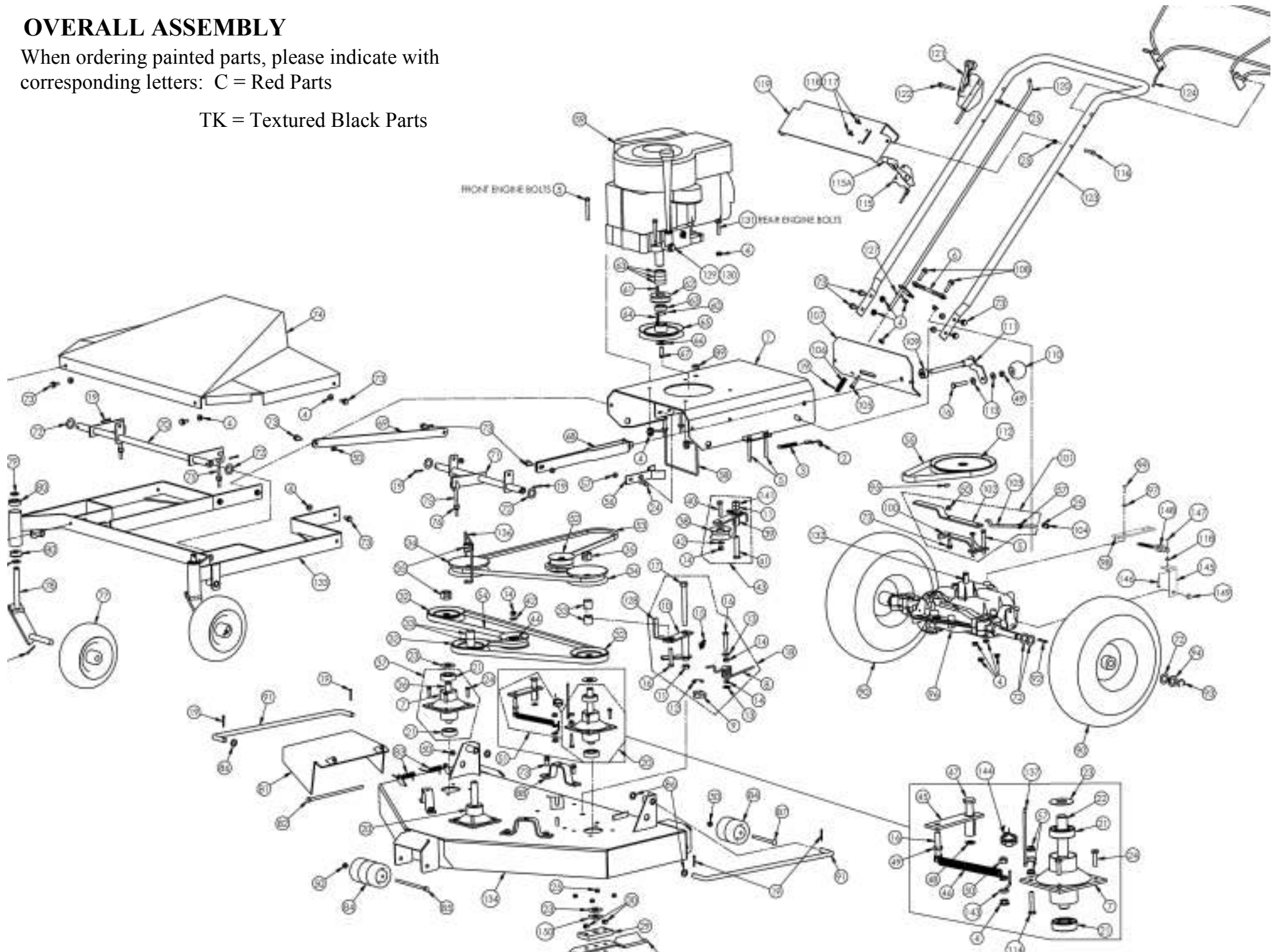


OD29 – SPINNING BLADE DECAL

## OVERALL ASSEMBLY

When ordering painted parts, please indicate with corresponding letters: C = Red Parts

TK = Textured Black Parts



## REPLACEMENT PARTS

When ordering painted parts, please indicate with corresponding letters: C = Red Parts;  
TK = Textured Black Parts (ex. 4207TK, 4237C)

Item #	Description	Part #	Item #	Description	Part #
1	Motor Base	4270	46	Tension Spring	682S
2	Wire Link	BRS6H	47	1/2 x 1 9/16 Shoulder Bolt	NB220
3	Link Spring	T2SM	48	3/8 SAE Washer	NB272
4	5/16-18 Serrated Flange Nut	NB170	49	3/8-16 Grade 2 Nut	NB182
5	5/16-18 x 2 1/2 Grade 5 Bolt	NB138	50	5/16-18 Nylock Nut	NB181
6	Shift Linkage	4282	51	Tension Idler Kit	4263
7	Blade Driver Housing	B99	52	Blade Engage Pulley	7509
8	Brake Spring	BT297	53	Blade Drive Belt	4220
9	Brake Pad	9114	54	Blade Spindle Belt	4219
10	Blade Engage Idler	4262	55	Wheel Drive Belt	2414
11	1/2 -13 Nut	NB121	56	Transmission Belt Guide	2451
12	Brake Pad Clip	BP370S	57	1/4-20 Flange Nut	NB524
13	5/16 Flat Washer	NB556	58	Blade Drive Belt Guide	4234
14	3/8 -16 2-way Locknut	NB280	59	11.5 HP B&S Engine	N/A
15	5" Chain Links	AS080	60	X 1 1/2 10GA Washer Hardened PL	NB614HT
16	3/8-16 x 2 Grade 2 bolt	NB231	61	1/4 x 1/2 Key Stock	4258
17	1/2-13 x 5 Grade 5 bolt	NB155	62	Upper Engine Pulley	2411
18	Blade Engage Idler Kit	4280	63	Lower Engine Spacers	BB105SL
19	1/8 x 1 Cotter Pin	NB126	64	1/4 x 1 Key Stock	9031
20	Center & Left Blade Driver Kit	9084	65	Lower Engine Pulley	688
21	Blade Bearing	B98	66	Belleville Washer	699
22	Center & Left Blade Shaft	9075	67	7/16-20 x 1 1/2 Grade 5 Bolt	NB637
23	Washer	NB179	68	Height Adjust Arm	4275
24	1/4-20 x 1 Grade 5 Bolt	NB250	69	Front / Rear Torsion Connector	4235
25	1/4-20 Nylock Nut	NB180	70	Front Torsion Bar	4233
26	15" Blade	4221	71	Rear Torsion Bar	4236
27	Serrated Belleville Washer	NB607	72	3/4 x 18 GA Washer	NB179
28	3/8 - 24 x 1 Grade 5 Bolt	NB238	73	5/16-18 x 3/4 Serrated Flange Bolt	NB596
29	Blade Mounting Plate	9008	74	Plastic Belt Cover	4257
30	3/8-24 2 Way Lock Nut	NB216	75	3/8-16 x 3 Eye Bolt	4198
31	3/8-24 x 1 Grade 5 Bolt	NB238N	76	3/8-16 Nylock Nut	NB182
32	Lower Blade Pulley	BZ104	77	Front Tire & Wheel	4218
33	Pulley Spacer	6104RS	78	Caster	4266
34	Upper Pulley (Center & Left Only)	B104TK	79	5/8 x 10 GA Washer	NB149
35	3/4-16 2 Way Lock Nut	NB175	80	5/8 Flanged Bearing	F157B
36	Right Blade Shaft	9077	81	Grass Chute	4261
37	Right Blade Driver Kit	9085	82	5/16-18 x 8 1/2 Grade 2 Bolt	NB136
38	Transmission Idler Pulley	B27	83	Grass Chute Spring	CH5S
39	Transmission Idler	4276	84	Plastic Roller	AS001
40	3/8-16 x 1 1/2 Grade 5 Bolt	NB107	85	5/16-18 x 5 1/2 Grade 5 Bolt	NB575
41	1/2-13 x 2 1/2 Grade 5 Bolt	NB588	86	1/2 x 14 GA Washer	NB177
42	3/8 SAE Washer	NB272	87	5/16-18 x 4 Carriage Bolt	NB101
43	Transmission Idler Kit	4281	88	Hanger Bracket	4216
44	Tension Idler Pulley	B527	89	1/2-13 2 Way Jam Lock Nut	NB121
45	Tension Idler	6681	90	Rear Tire & Wheel	4217

## REPLACEMENT PARTS

When ordering painted parts, please indicate with corresponding letters: C = Red Parts;  
TK = Textured Black Parts (ex. 4207TK, 4237C)

Item #	Description	Part #	Item #	Description	Part #
91	Sway Bar	4207	134	Deck	4250
92	3/16 x 1 1/2 Keystock	2434	135	3/8-16 X 1 1/4 Bolt	NB618
93	3/4 E-Clip	NB621	136	Belt Snubber	10017
94	3/4 x 10 GA Washer	NB184	137	Belt Guide	10014
95	5/16-18 x 1/2 Set Screw	NB312	138	Eye Bolt	4199
96	4 Speed Transmission	4256	139	Washer	AS155
97	1/4 SAE Washer	NB274	140	Grip for Shift Handle	4285
98	Shift Link	4223	141	1/2-13 Jam Nut	NB118
99	1/4-28 x 3/4 Grade 5 Bolt	NB620	142	5/16-18 X 2 1/4 Bolt	NB622
100	Brake Mount	4273	143	Finger for Belt Release	T30F
101	Brake Mount Kit	4271	144	Safety Switch Assy- Brown Wires	SSB
102	Transaxle Brake Pivot	4247	145	Neutral Switch Bracket	10738
103	Transaxle Brake Link	4264	146	8-32 X 1 Slot HWH ZP	10742
104	1/4-20 x 3/4 Eye Bolt	V139EB	147	8-32 Nylok Nut	NB193
105	5/16-18 x 1 Grade 5 Bolt	NB501	148	Safety Switch	9113
106	Gear Shift Spring	TR148S	149	5/16-18 x 1/2 HWH Rolok Screw ZP	10743
107	Rear Cover	4299	150	Wiring Harness-9113 to SSB	2472
108	5/16-18x1 1/4 Ser Flg Bolt	NB253	151	Wiring Harness WB11542F-SSB to Engine	10821
109	Thrust Bearing	T151	152	Cable Tie- Black 5 1/2"	AS021
110	Plastic Knob	4857			
111	Crank Handle	4274			
112	Transmission Pulley	2410			
113	3/8 Hardened Washer	NB196			
114	1/4-20 X 1 1/4 Bolt Gr 5	NB103			
115	Throttle Control	4226			
115A	T-Knob for Throttle Cable	4226K			
116	1/4-20 x 1 1/2 Grade 2 Bolt	NB104			
117	8-32 X 1/2 Phillips Truss	NB114			
118	8-32 Keps Nut	NB201			
119	Throttle Console	10650TK			
120	Gear Shifter	4260			
121	Blade Engage Latch	4295			
122	1/4-20 x 2 1/2 Gr 5 Serr. Flange Bolt	NB208			
123	Operator Handle	2402			
124	Transmission Cable	2432			
125	Operator Presence Bail (Upper)	4294			
126	Ground Control Bail (Lower)	4291			
127	3/16 x 1 Roll Pin	NB123			
128	Belt Guide	4283			
129	Oil Drain Cap	AS123			
130	Oil Drain Valve	AS122			
131	5/16-18 x 1 1/4 Serr. Flange Bolt	NB253			
132	3/16 x 3/4 # 9 Woodruff Keystock	NB638			
133	Frame	4269			