



# OWNER'S MANUAL

## MODEL NO.

WB80024

WB80024S

WB8524



Read and follow all Safety  
Rules and Instructions  
before operating this  
equipment.

Rev. 02.14.02



# THE PREDATOR 24" ROUGH CUT WALK BEHIND CUTTER

Assembly  
Operation  
Service and Adjustment  
Repair Parts



## SAFETY PRECAUTIONS AND DECALS

Replace decal immediately if damaged. Order by part number from Swisher Mower and Machine Co. Inc.



OD45 – WARNING DECAL



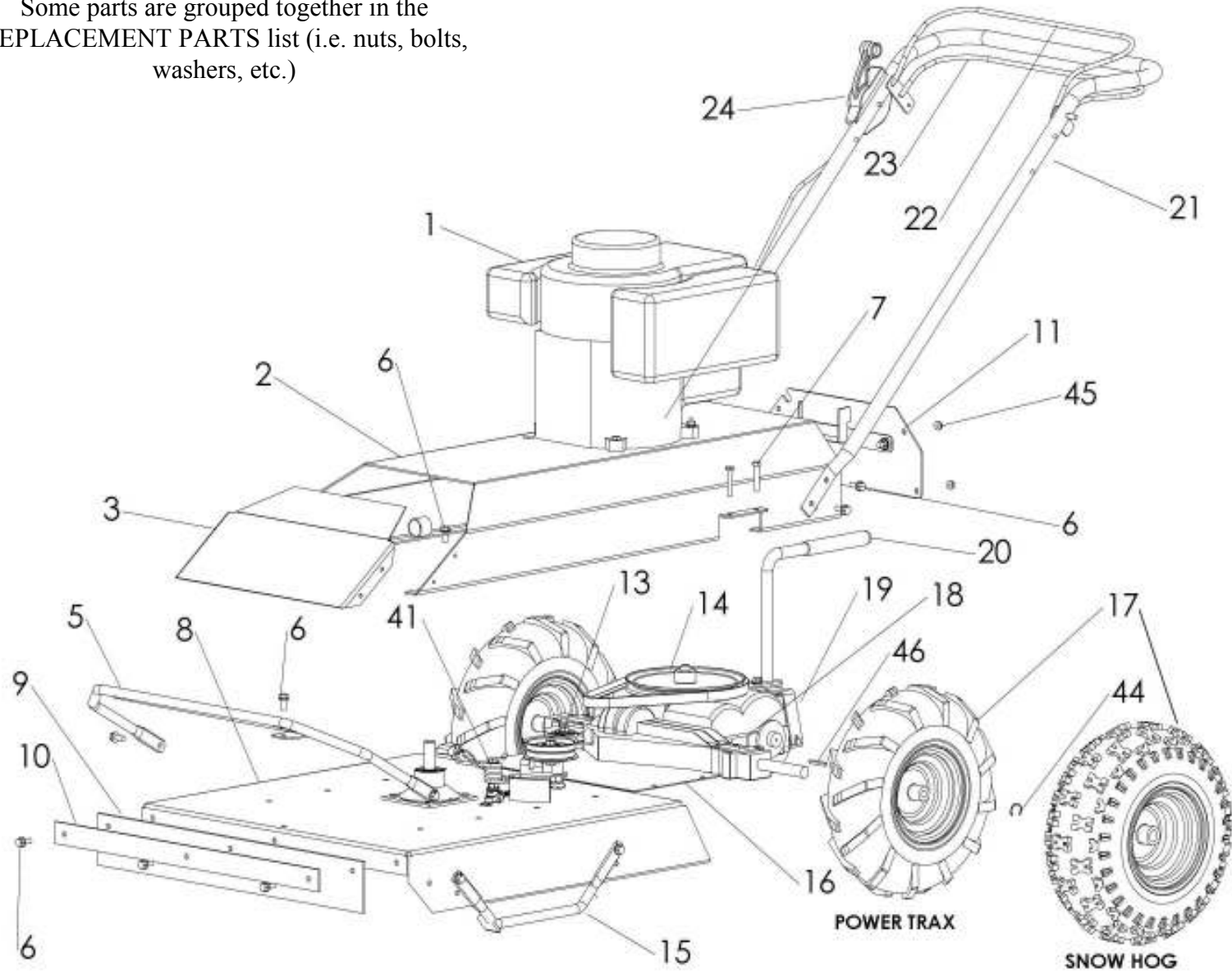
D55 – DANGER DECAL



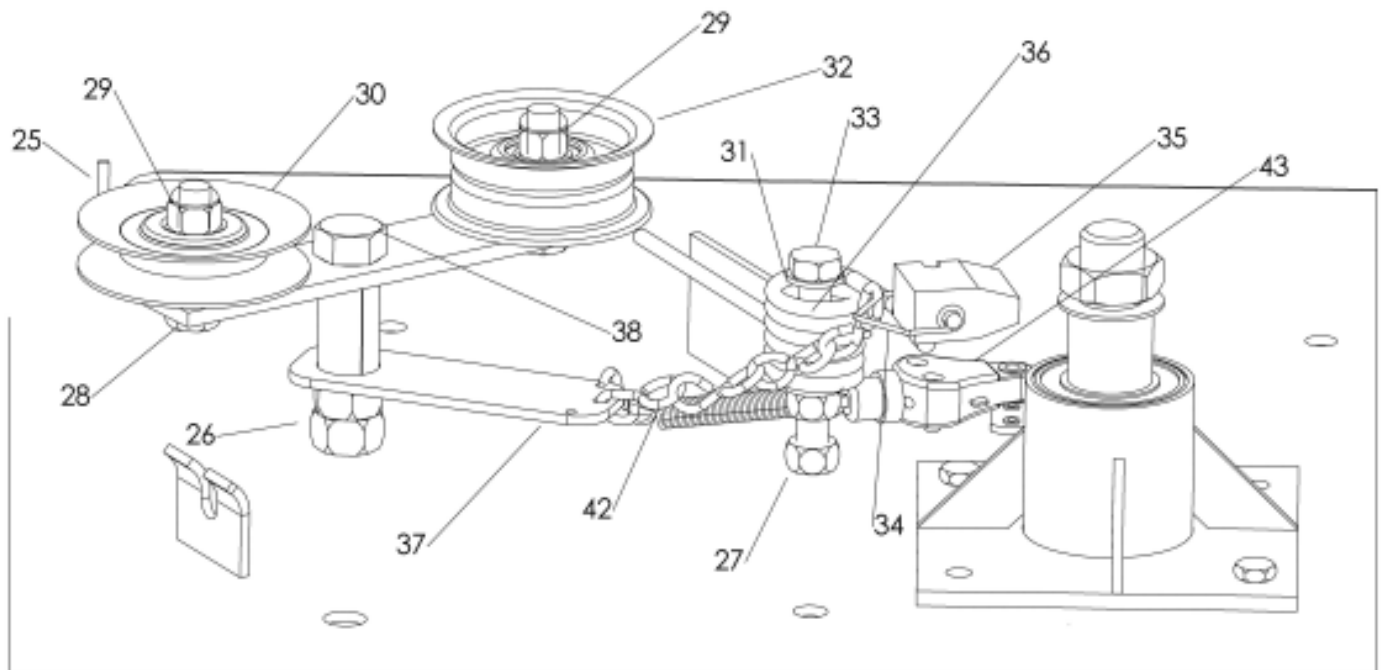
D29 – SPINNING BLADE DECAL

## OVERALL ASSEMBLY

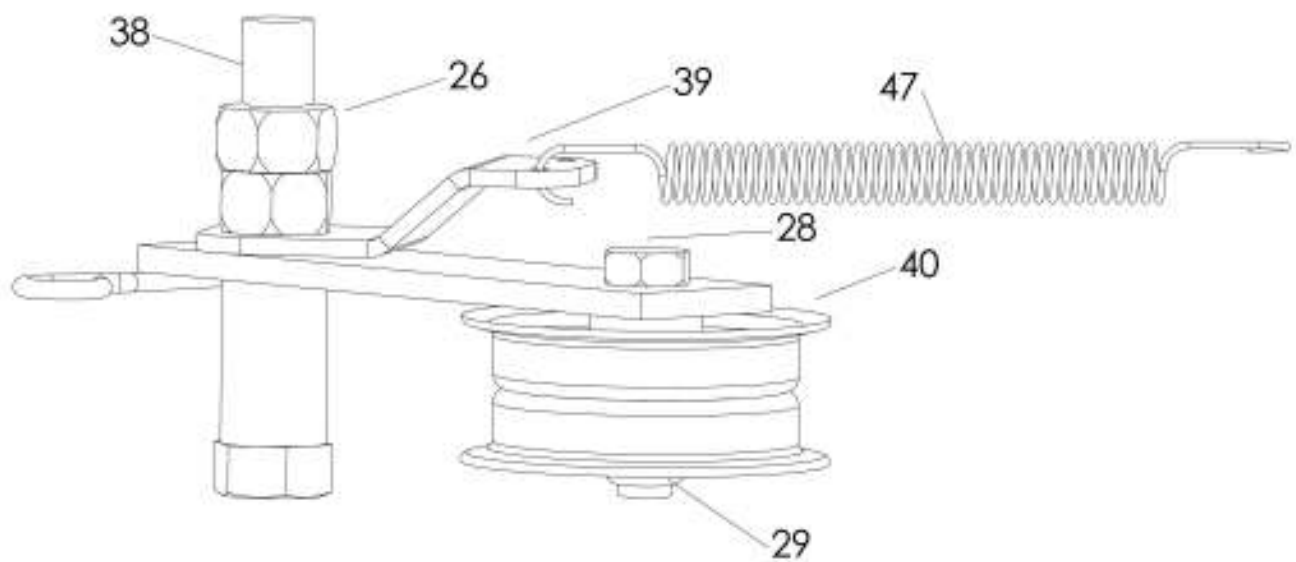
Some parts are grouped together in the REPLACEMENT PARTS list (i.e. nuts, bolts, washers, etc.)



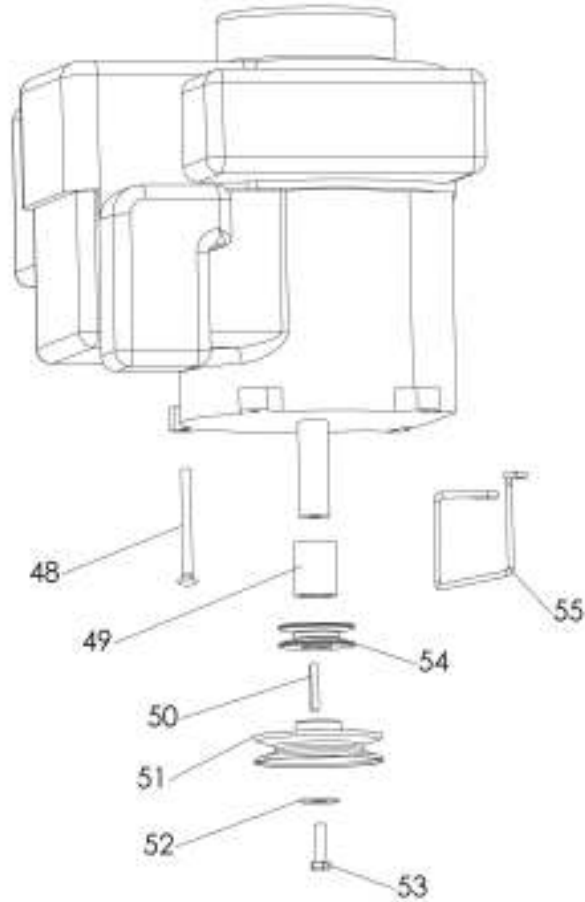
## BLADE IDLER(2455) & BRAKE CONFIGURATION(2462)



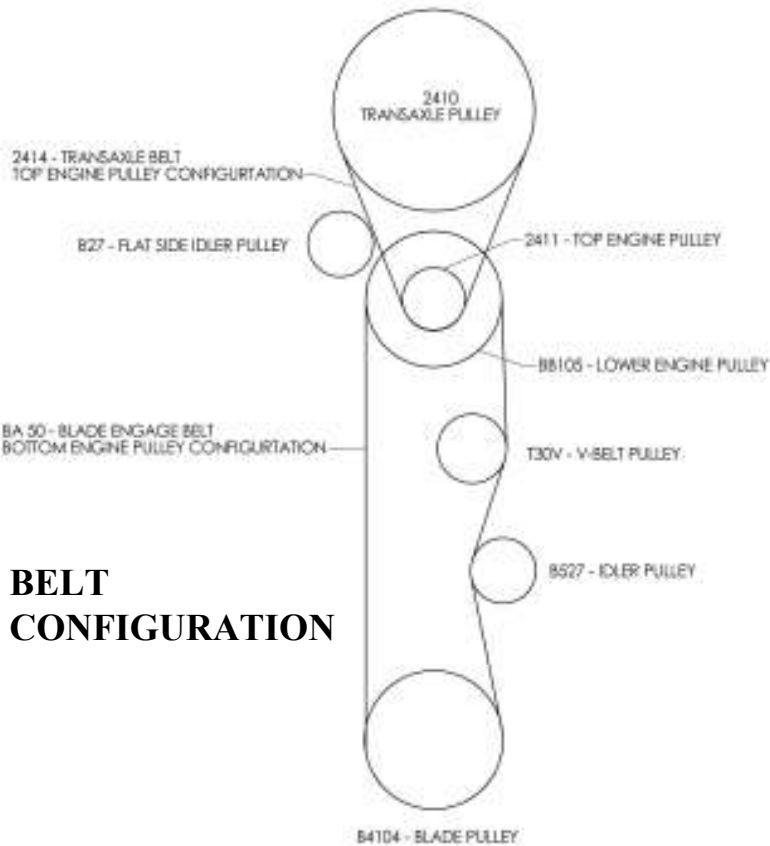
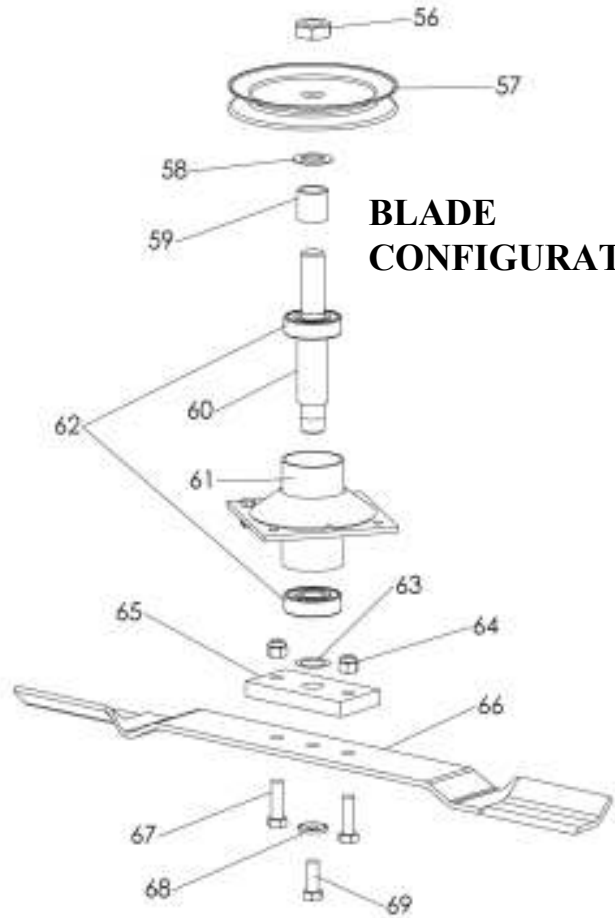
## TRANSMISSION IDLER CONFIGURATION



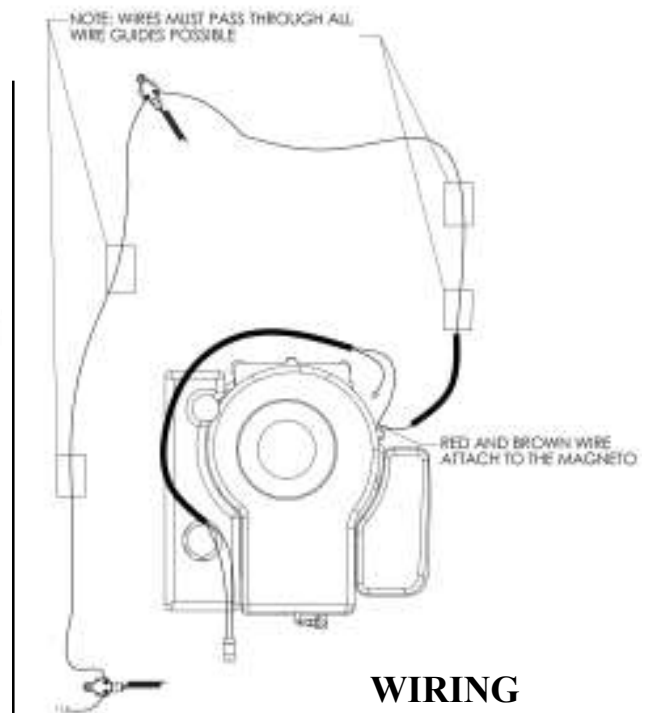
# ENGINE-PULLEY CONFIGURATION



# BLADE CONFIGURATION



# BELT CONFIGURATION



# WIRING CONFIGURATION

## REPLACEMENT PARTS

ITEM NO.	PART NO.	DESCRIPTION
1	SEE DETAIL	ENGINE PULLEY CONFIGURATION
2	2450*	MOTOR BASE WELDMENT
	2451*	ADJUSTABLE BELT GUIDE
3	2418*	FRONT GUARD
	NB310	1/4-20 X 1/2 SSC BOLT
5	2448TK	BRUSH GUARD
6	NB596	5/16-18 X 3/4 FLANGE BOLT
7	NB503	5/16-18 X 1 3/4 BOLT
8	2449*	DECK WELDMENT
9	2406	RUBBER DEBRIS GUARD
10	2424TK	RUBBER FLAP STRAP
11	2453*	REAR COVER ASSEMBLY
	2452*	REAR COVER WELDMENT
	2417*	REAR COVER LATCH
	2069	EXTENSION SPRING
	NB501	5/16-18 X 1 BOLT
	NB170	5/16-18 NUT
	B99S	SPACER
	2077	YELLOW PLASTIC GRIP
12	SEE DETAIL	BLADE CONFIGURATION
	BA50	BA 50 BELT
13	SEE DETAIL	BLADE IDLER...CONFIG.
14	2410	TRANSAXLE PULLEY
	NB192	SET SCREW
	2414	TRANSAXLE BELT
15	2447TK	SKID RUNNER
17	2401L / 2401R	POWER TRAX TIRE/WHEEL (SHOWN)
	2415	SNOW HOG TIRE/WHEEL
18	2412	PEERLESS TRANSAXLE
19	2422TK	SAFETY SWITCH MOUNT
	NB250	1/4-20 X 3/4 BOLT
20	2456	GEARSHIFT LEVER
	2427	GEARSHIFT GRIP
	2423*	GEARSHIFT MOUNT
	NB596	5/16-18 X 3/4 FLANGE BOLT
	NB503	5/16-18 X 1 3/4 BOLT
	NB620	1/4-28 X 3/4 BOLT
21	2402TK	HANDLE
22	2429TK	BLADE ENGAGE BAIL
23	2458TK	GROUND CONTROL BAIL
	2432	TRANSAXLE CABLE
24	2431	BLADE LATCH & CABLE ASSY
	NB278	1/4-20 X 1 3/4 BOLT

ITEM NO.	PART NO.	DESCRIPTION
	NB180	1/4-20 NYLOC NUT
25	T30F	FINGER BELT GUIDE
26	NB213Z	1/2-13 NUT
27	NB566	3/8-16 NUT
28	NB107	3/8-16 X 1 1/2 BOLT
29	NB182	3/8-16 NYLOC NUT
30	T30V	V-BELT IDLER PULLEY
31	NB275	5/16 SAE WASHER
32	B527	4" IDLER PULLEY
33	NB164	3/8-16 X 3 BOLT
34	BP370S	BRAKE SPRING CLIP
35	9039	BRAKE PAD
36	BT297	BRAKE SPRING
37	2454TK	BLADE IDLER WELDMENT
38	NB131	1/2-13 X 3 BOLT
39	2460TK	TRANSAXLE IDLER WELDMENT
40	B27	FLAT SIDE IDLER PULLEY
41	2462	SEE ...BRAKE ASSY DETAIL
43	9092	SAFETY SWITCH
44	NB621	E-CLIPS
45	NB524	1/4-20 FLANGE NUT
	NB154Z	1/4-20 X 3/4 BOLT
46	2434	3/16 X 1 1/2 KEYSTOCK
47	T2SM	SPRING
48	NB517	5/16-18 X 1 3/4 CARRIAGE BOLT
49	BB105S	ENGINE PULLEY SPACER
50	2437	1/4 X 1 1/2 KEYSTOCK
51	BB105	LOWER ENGINE PULLEY
52	699	BELLEVILLE WASHER
53	NB166	3/8-24 X 1 1/4 BOLT
54	2411	UPPER ENGINE PULLEY
55	2413	BELT GUIDE
56	NB175	3/4-16 JAM NUT
57	6114	BLADE DRIVE PULLEY
58	NB179	THIN WASHER
59	6104RS	PULLEY SPACER
60	9078	BLADE SHAFT
61	9091TK	STRONG BEARING HOUSING
62	B98	SEALED BEARING
63	NB179	THIN WASHER
64	NB216	3/8-24 CENTER LOCK NUT
65	9008	BLADE MOUNT PLATE
66	90916	24" TOUGH BLADE
67	NB166	3/8-24 X 1 1/4 BOLT
68	NB607	BELLEVILLE WASHER SERRATED
69	NB238	3/8-24 X 1 BOLT