

SWISHER

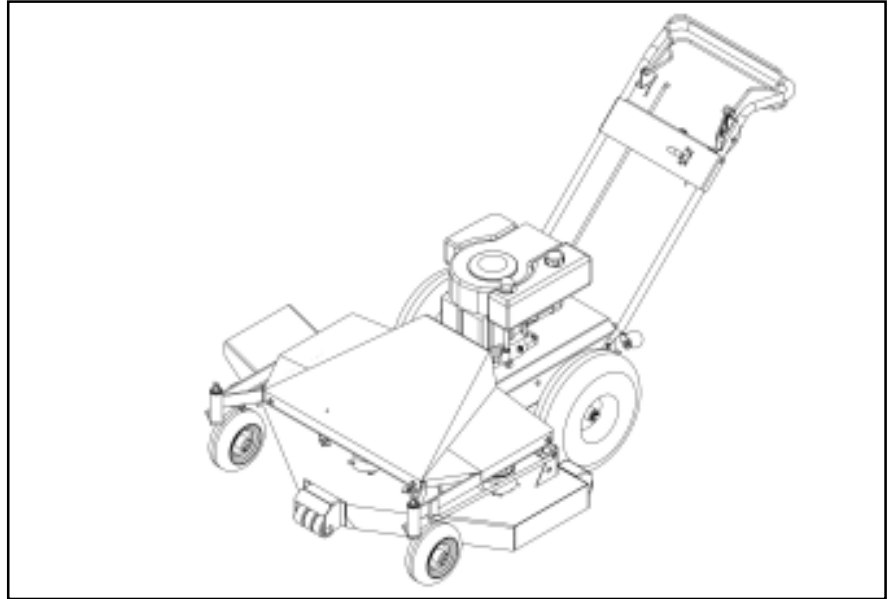
**OWNER'S
MANUAL**

**MODEL NO.
WB942**



Read and follow all Safety
Rules and Instructions
before operating this
equipment.

Rev.04-083



THE FINISHING TOUCH
**42" FINISH CUT MOWER SELF PROPELLED
WALK BEHIND**

**Assembly
Operation
Service and Adjustment
Repair Parts**

SWISHER

SAFETY AND OPERATIONAL DECALS

Replace decal immediately if damaged. Order by part number from Swisher Mower and Machine Co. Inc.



OD30 – WARNING DECAL



OD36 – DEFLECTOR DECAL



OD43 – FLYING DEBRIS DECAL



OD55 – DANGER DECAL

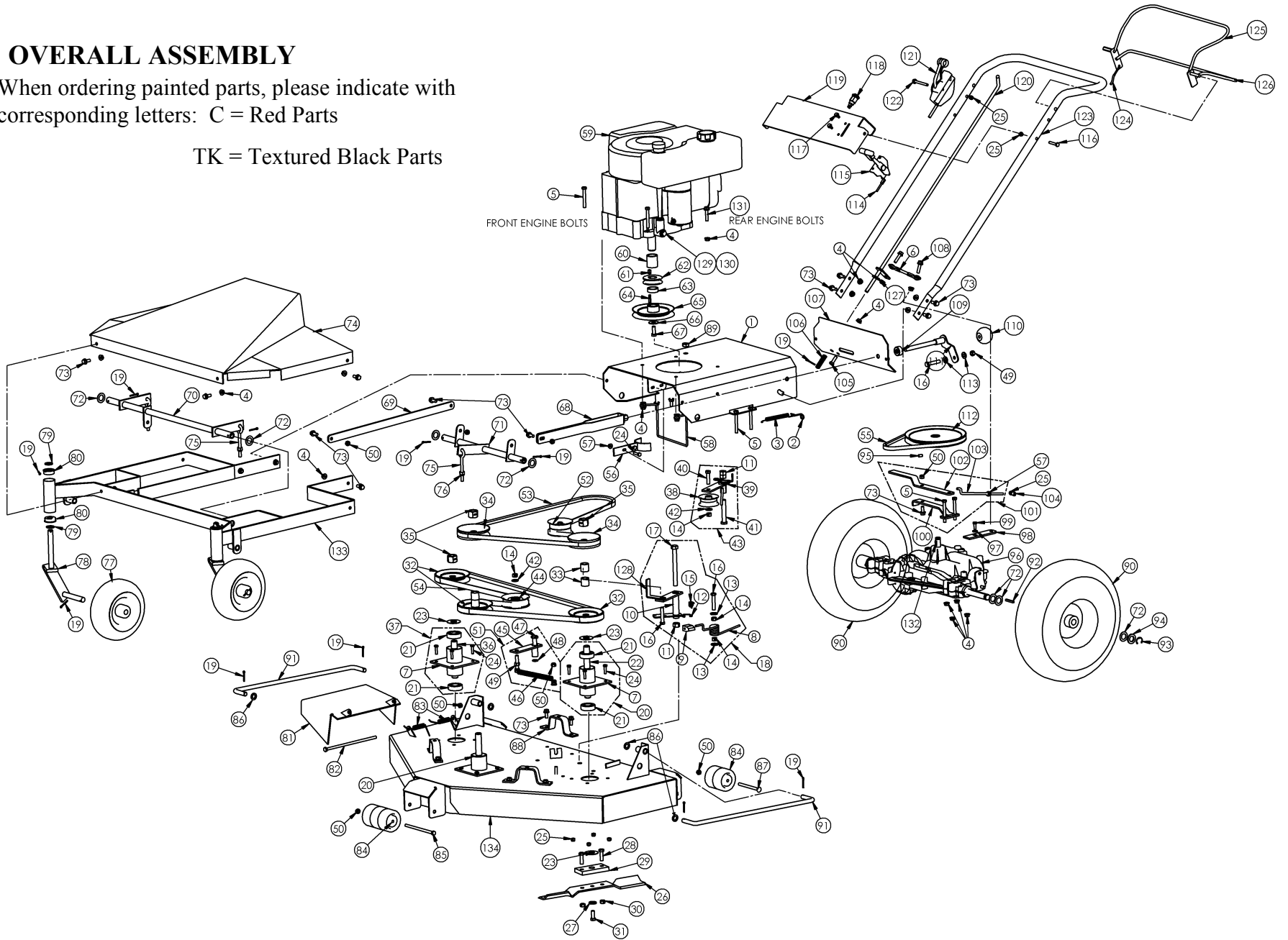


OD29 – SPINNING BLADE DECAL

OVERALL ASSEMBLY

When ordering painted parts, please indicate with corresponding letters: C = Red Parts

TK = Textured Black Parts



REPLACEMENT PARTS

When ordering painted parts, please indicate with corresponding letters: C = Red Parts;
TK = Textured Black Parts (ex. 4207TK, 4237C)

Item #	Description	Part #	Item #	Description	Part #
1	Motor Base	4270	46	Tension Spring	682S
2	Wire Link	BRS6H	47	1/2 x 1 9/16 Shoulder Bolt	NB220
3	Link Spring	T2SM	48	5/16 SAE Washer	NB275
4	5/16-18 Serrated Flange Nut	NB170	49	3/8-16 Grade 2 Nut	NB212
5	5/16-18 x 2 1/2 Grade 5 Bolt	NB138	50	5/16-18 Nylock Nut	NB181
6	Shift Linkage	4282	51	Tension Idler Kit	4263
7	Blade Driver Housing	B99	52	Blade Engage Pulley	7509
8	Brake Spring	BT297	53	Blade Drive Belt	4220
9	Brake Pad	BP370	54	Blade Spindle Belt	4219
10	Blade Engage Idler	4262	55	Wheel Drive Belt	2414
11	1/2 -13 Nut	NB213Z	56	Transmission Belt Guide	2451
12	Brake Pad Clip	BP370S	57	1/4-20 Flange Nut	NB524
13	5/16 Flat Washer	NB556	58	Blade Drive Belt Guide	4234
14	3/8 -16 2-way Locknut	NB280	59	8HP B&S Engine	N/A
15	5" Chain Links	AS080	60	Upper Engine Spacer	689L
16	3/8-16 x 2 Grade 2 bolt	NB231	61	1/4 x 1/2 Key Stock	4258
17	1/2-13 x 5 Grade 5 bolt	NB155	62	Upper Engine Pulley	2411
18	Blade Engage Idler Kit	4280	63	Lower Engine Spacers	BB105SL
19	1/8 x 1 Cotter Pin	NB126	64	1/4 x 1 Key Stock	9031
20	Center & Left Blade Driver Kit	9080	65	Lower Engine Pulley	688
21	Blade Bearing	B98	66	Belleville Washer	699
22	Center & Left Blade Shaft	9075	67	7/16-20 x 1 1/2 Grade 5 Bolt	NB637
23	Washer	B98W	68	Height Adjust Arm	4275
24	1/4-20 x 1 Grade 5 Bolt	NB250	69	Front / Rear Torsion Connector	4235
25	1/4-20 Nylock Nut	NB180	70	Front Torsion Bar	4233
26	15" Blade	4221	71	Rear Torsion Bar	4236
27	Serrated Belleville Washer	NB607	72	3/4 x 18 GA Washer	NB179
28	3/8 - 24 x 1 1/4 Grade 5 Bolt	NB166	73	5/16-18 x 3/4 Serrated Flange Bolt	NB596
29	Blade Mounting Plate	9008	74	Plastic Belt Cover	4257
30	3/8-24 2 Way Lock Nut	NB216	75	3/8-16 x 3 Eye Bolt	NB635
31	3/8-24 x 1 Grade 5 Bolt	NB238N	76	3/8-16 Nylock Nut	NB182
32	Lower Blade Pulley	B4104	77	Front Tire & Wheel	4218
33	Pulley Spacer	6104RS	78	Caster	4266
34	Upper Blade Pulley (Center & Left Only)	B104	79	5/8 x 10 GA Washer	NB149
35	3/4-16 2 Way Lock Nut	NB629	80	5/8 Flanged Bearing	F157B
36	Right Blade Shaft	9077	81	Grass Chute	4261
37	Right Blade Driver Kit	9079	82	5/16-18 x 8 1/2 Grade 2 Bolt	NB136
38	Transmission Idler Pulley	B27	83	Grass Chute Spring	CH5S
39	Transmission Idler	4276	84	Plastic Roller	AS001
40	3/8-16 x 1 1/2 Grade 5 Bolt	NB107	85	5/16-18 x 5 1/2 Grade 5 Bolt	NB521
41	1/2-13 x 2 1/2 Grade 5 Bolt	NB588	86	1/2 x 14 GA Washer	NB177
42	3/8 SAE Washer	NB272	87	5/16-18 x 4 Carriage Bolt	NB101
43	Transmission Idler Kit	4281	88	Hanger Bracket	4216
44	Tension Idler Pulley	B527	89	1/2-13 2 Way Jam Lock Nut	NB121
45	Tension Idler	6681	90	Rear Tire & Wheel	4217

REPLACEMENT PARTS

When ordering painted parts, please indicate with corresponding letters: C = Red Parts;
TK = Textured Black Parts (ex. 4207TK, 4237C)

Item #	Description	Part #
91	Sway Bar	4207
92	3/16 x 1 1/2 Keystock	2434
93	3/4 E-Clip	NB621
94	3/4 x 10 GA Washer	NB184
95	5/16-18 x 1/2 Set Screw	NB192
96	4 Speed Transmission	4256
97	1/4 SAE Washer	NB274
98	Shift Link	4223
99	1/4-28 x 3/4 Grade 5 Bolt	NB620
100	Brake Mount	4273
101	Brake Mount Kit	4271
102	Transaxle Brake Pivot	4247
103	Transaxle Brake Link	4264
104	1/4-20 x 3/4 Eye Bolt	V139EB
105	5/16-18 x 1 Grade 5 Bolt	NB501
106	Gear Shift Spring	TR148S
107	Rear Cover	4299
108	5/16-18 x 1 1/4 Serr. Flange Bolt	NB253
109	Thrust Bearing	T151
110	Plastic Knob	4857
111	Crank Handle	4274
112	Transmission Pulley	2410
113	3/8 Hardened Washer	NB196
114	Wiring Harness	4268
115	Throttle Control	4226
116	1/4-20 x 1 1/2 Grade 2 Bolt	NB104
117	1/4-20 x 1/2 Self-tapping Bolt	NB114
118	ON/OFF Key Switch	KSM
119	Throttle Console	4292
120	Gear Shifter	4260
121	Blade Engage Latch	4295
122	1/4-20 x 2 1/2 Grade 5 Serr. Flange Bolt	NB208
123	Operator Handle	2402
124	Transmission Cable	2432
125	Operator Presence Bail (Upper)	4294
126	Ground Control Bail (Lower)	4291
127	3/16 x 1 Roll Pin	NB123
128	Belt Guide	4283
129	Oil Drain Cap	AS123
130	Oil Drain Valve	AS122
131	5/16-18 x 1 1/2 Serr. Flange Bolt	NB254
132	3/16 x 3/4 # 9 Woodruff Keystock	NB638
133	Frame	4269
134	Deck	4250