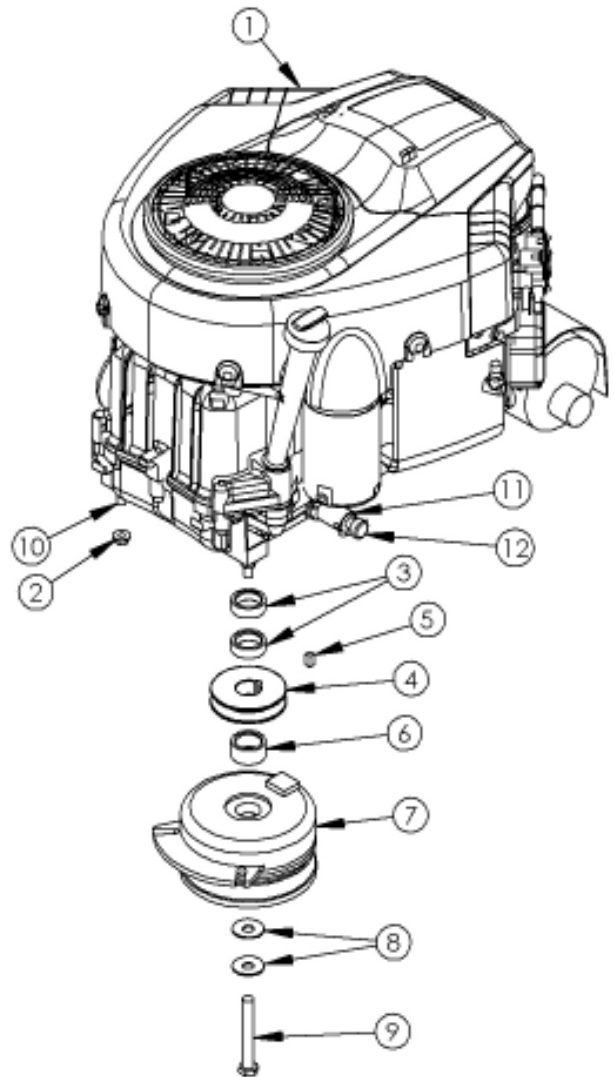


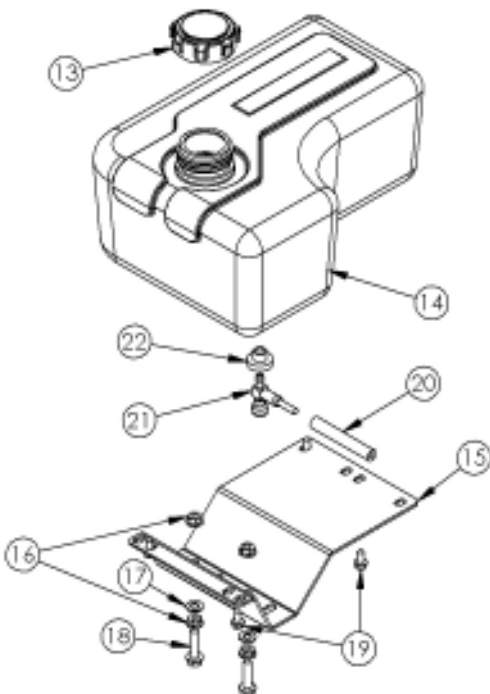
ENGINE SETUP

Item #	Description	Part #
1	23 HP B&S Engine (50" Mower)	N/A
2	5/16-18 Serrated Flange Nut	NB170
3	Spacer Engine Pulley	BB105SL
4	Motor Pulley 3"	3753
5	1/4 X 1/2 Key Stock	4258
6	Engine Pulley Spacer Short .687	689S
7	Electric Clutch Drop Pulley	688ECDP
	Electric Clutch (50" Mower Only)	3813
8	Washer Belleville Engine Pulley	699
9	7/16-20 X 3.25 HCF GR5 ZP	NB705
10	5/16-18 X 1 1/4 Serrated Flange Bolt	NB253
11	Oil Drain Valve	AS122
12	Oil Drain Valve Cap	AS123



FUEL SUPPLY SYSTEM

Item #	Description	Part #
13	Gas Cap	6102NC
14	Gas Tank Plastic Black	AS100
15	Gas Tank Bracket	3258TK
16	5/16-18 Serrated Flange Nut	NB170
17	5/16 USS Flat Washer ZP	NB556
18	5/16-18 X 1 1/4 Serr. Flange Bolt	NB253
19	1/4-20 X 1/2 Bolt	NB109
20	Fuel Line	AS140
21	Elbow	AS120
22	Rubber Bushing	AS119

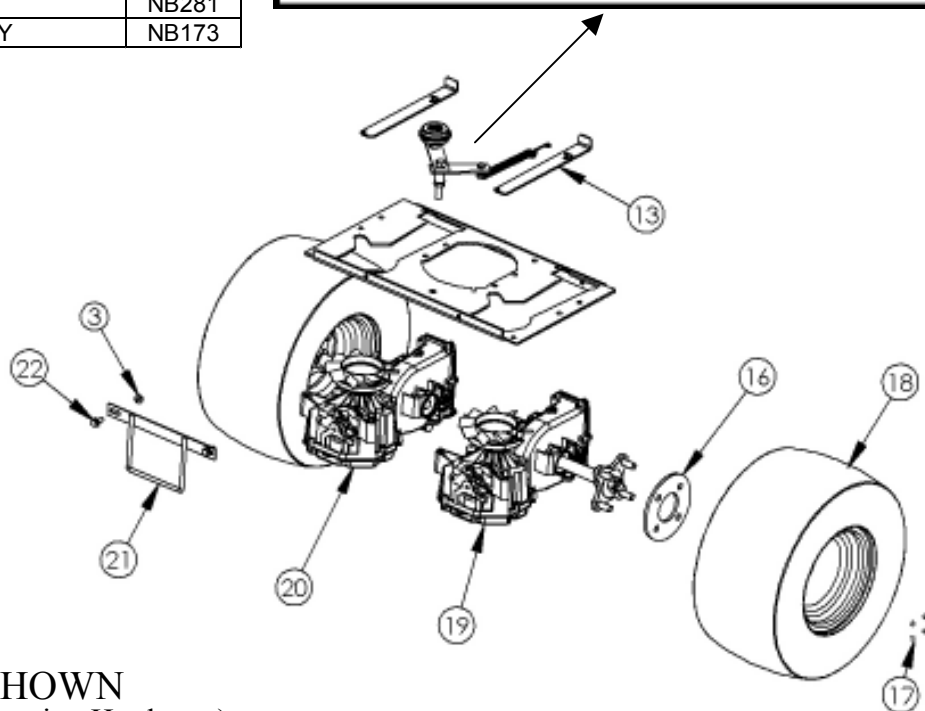
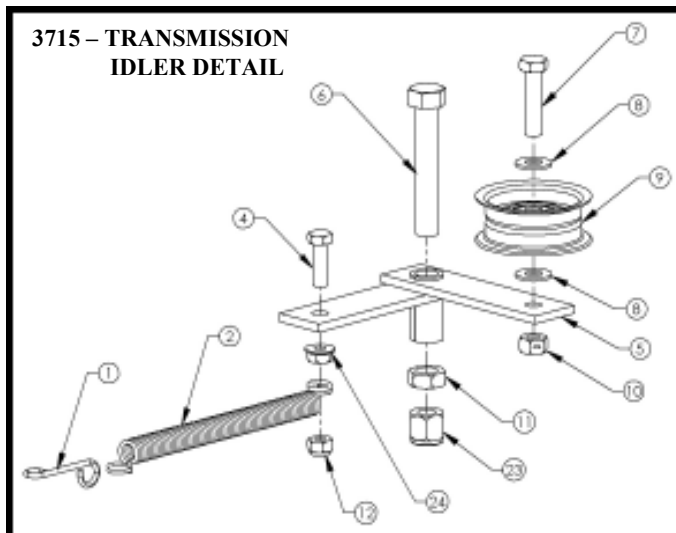


Not Pictured

Description	Part #
Solenoid Assembly	9043
Wiring Harness	3804-04
Hour Meter	3803
Battery Cable 10" Red	BCSR
Battery Cable 19 1/2" Black	BCLB
Battery Cable Small Rubber Boot	BCBT
12 Volt Lawn and Garden Battery	U1L
Battery Hold Down, 15" Tarp Strap	BHOLD
Electric Clutch to Wiring Harness Jumper	3814

Item #	Description	Part #
1	Wire Link For Idler Arm	BRS6H
2	Clutch Rod Spring	682S
3	5/16-18 Serrated Flange Nut	NB170
4	5/16-18 X 1 HCC GR5 ZP	NB501
5	Transmission Idler Arm	3690TK
6	1/2-13 X 3 HCC GR5 Bolt ZP	NB131
7	3/8-16 X 1 1/2 HCC GR5 ZP	NB107
8	3/8 SAE Washer	NB272
9	Idler Pulley	B27
10	3/8-16 2-Way Lock Nut	NB280
11	1/2-13 Jam Nut	NB118
12	5/16-18 Nyloc Nut	NB181
13	Hydro Release	3678TK
16	Wheel Spacer	3825
17	Wheel Hub Lug Nut 1/2-20	2203LN
18	Rear Tire for 50"	3756
19	Transaxle Left	3601CB
20	Transaxle Right	3600CB
21	Belt Snubber	3819TK
22	5/16-18 X 3/4 Serr Flg Bolt	NB596
23	1/2-13 Nyloc Nut	NB281
24	5/16-18 Jam Nut ZY	NB173

Note: Spring #2 must pivot freely on bolt #4 to prevent pre-mature failure.

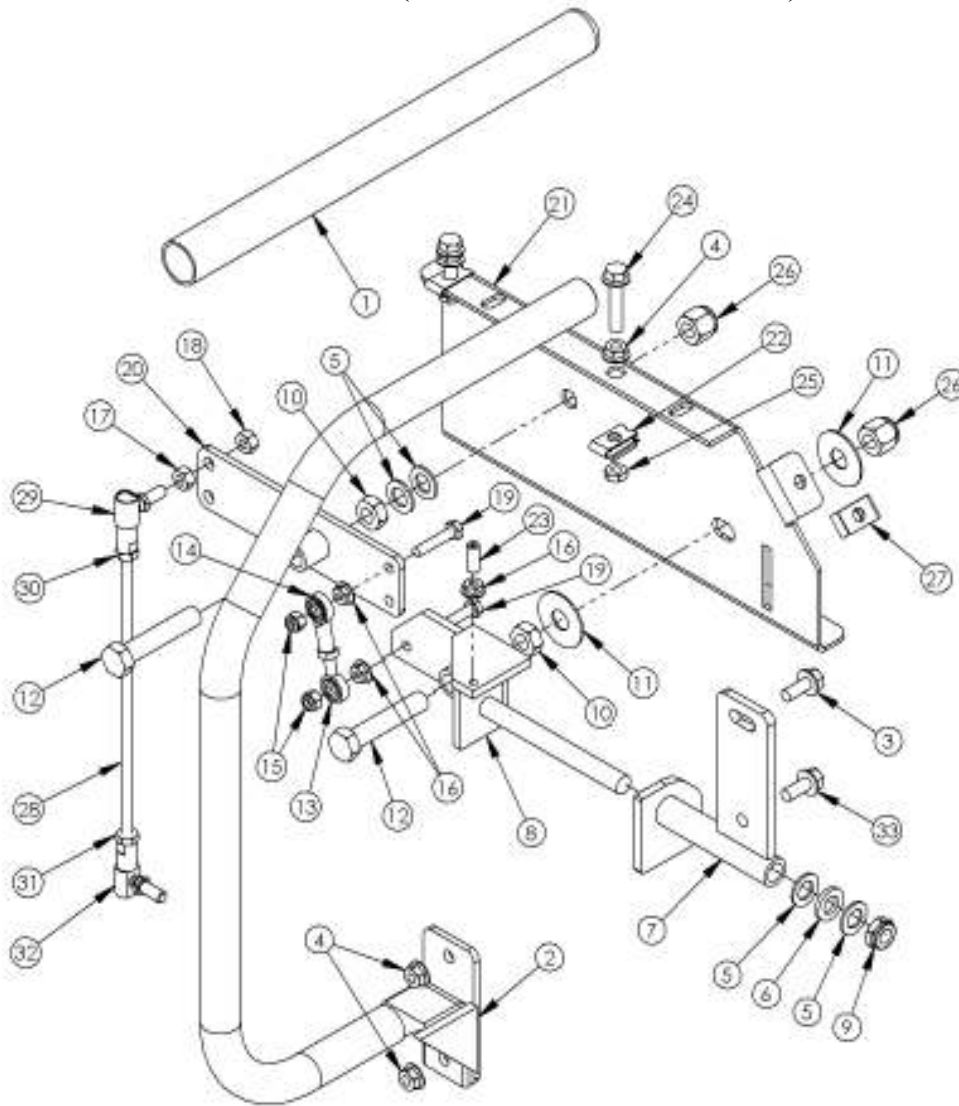


PARTS NOT SHOWN
(Zero Turn Rider Trans Mounting Hardware)

Description	Part #
5/16-18 X 4 HCC GR5 ZP	NB513
5/16-18 X 2 3/4 HCCGR2ZP	NB106
5/16 SAE Washer	NB275
5/16-18 Nyloc Nut	NB181

Description	Part #
1/4-20 X 1 HCC GR5 ZP	NB102
1/4 SAE Washer	NB274
1/4-20 Nyloc Nut	NB180
1/4-20 Flange Nut	NB524

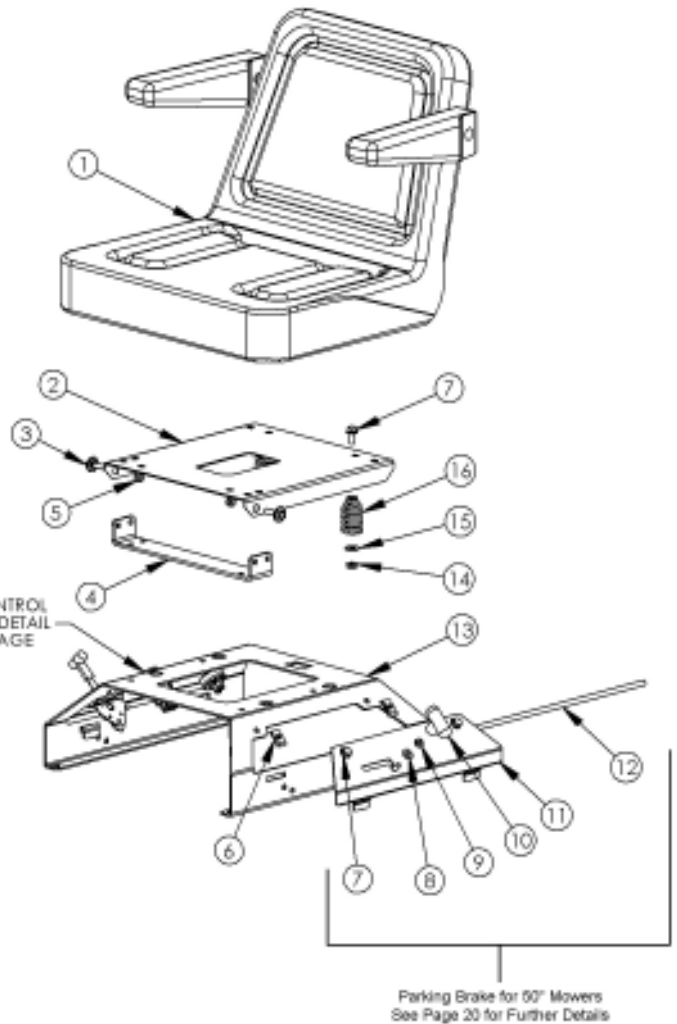
STEERING (RIGHT SIDE SHOWN)



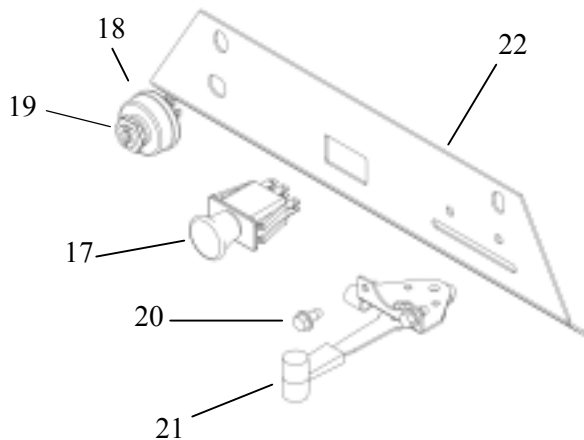
Item #	Description	Part #	Item #	Description	Part #
1	Directional Handle Grip	3673	18	5/16-24 ZP 2-Way Lock Nut	NB448
2	Right Handle-Weldment	3839TK	19	1/4-20 X 1 1/4 HTC GR5 ZP	NB103
	Left Handle-Weldment	3846TK	20	Universal Pivot Plate Weldment	3698TK
3	5/16-18 X 3/4 Serr Flg Bolt	NB596	21	Control Card Right	3621TK
4	5/16-18 Serrated Flange Nut	NB170		Control Card Left	3620TK
5	1/2 NR Mach Bushing 14 GA	NB177	22	Tinnerman Clips 5/16-18 Heavy Duty	3669
6	1/2 ID X 7/8 OD X 1/8 Nylon Washer	NB682	23	1/4-20 X 3/4 SSC Plain	NB310
7	Right Handle Mount Weldment	3841TK	24	5/16-18 X 1 1/2 Flge Serr. Bolt	NB254
	Left Handle Mount Weldment	3840TK	25	5/16-18 ZP 2 Way Lock Nut	NB558
8	Pivot Plate Right Weldment	3699TK	26	1/2-13 Nyloc Nut	NB281
	Pivot Plate Left Weldment	3700TK	27	Tinnerman Clip 5/16-18	3706
9	1/2-13 Nyloc Jam Nut	NB688	28	Left & Right Thread Rod	NB262
10	1/2-13 2-Way Jam Lock Nut	NB121	29	Ball Linkage Right	NB263
11	Washer	TR150W	30	5/16-24 Jam Nut	NB190
12	1/2-13 X 2 1/2 HCC GR5 ZP	NB510	31	5/16-24 Jam Nut Left-Hand Thread	NB265
13	1/4 Rod End Male 1/4-28	3721	32	Ball Linkage Left	NB264
14	1/4 Rod End Female 1/4-28	3708	33	5/16-18 X 1 1/4 Serrated Flange Bolt	NB253
15	1/4-20 Nylok Nut	NB180			
16	1/4-20 Flange Nut	NB524			
17	5/16-24 Hex Nut	NB215			

SEAT BASE ASSEMBLY

Item #	Description	Part #
1	Seat 18" Back With Arm Rest	3792
2	Seat Plate	3133TK
3	5/16-18 Shoulder Bolt	NB743
4	Seat Bracket	3833TK
5	5/16-18 Nyloc Nut	NB181
6	Tinnerman Clip 5/16-18	3706
7	5/16-18 X 3/4 Serr Flg Bolt	NB596
8	5/16 ID X 1 1/4 OD 11GA Black Nylon Washer	NB116
9	5/16-18 Jam Nut	NB173
10	T Knob 5/16-18	3844
11	Control Cover	3393TK
12	Brake Linkage Rod	3390Z
13	Seat Mount	3613TK
14	5/16-18 Serrated Flange Nut	NB170
15	5/16 USS Flat Washer ZP	NB556
16	Tapered Spring	3609
Not Pictured		
Operator Presence Switch (Located Under Seat)		3798

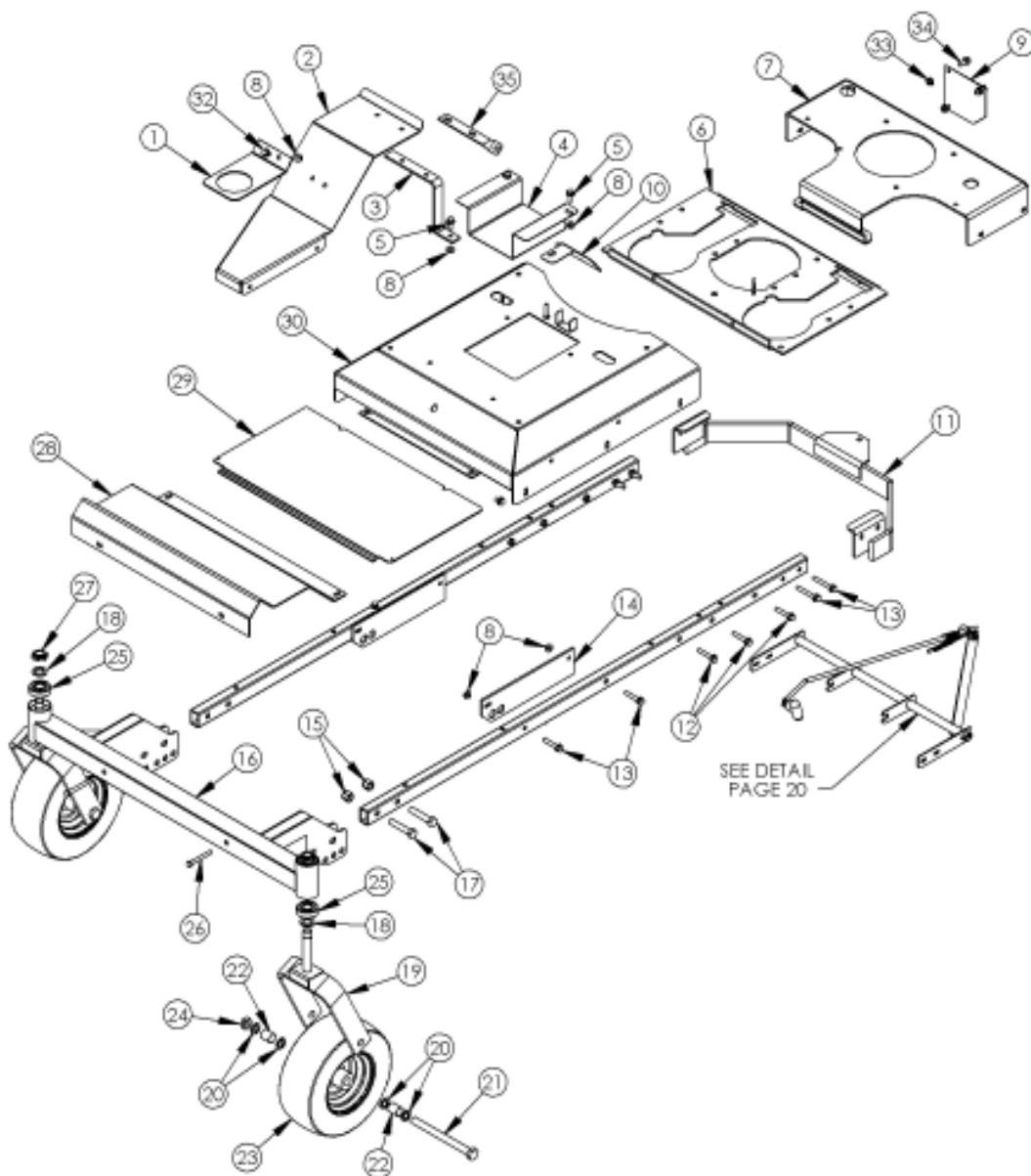


CONTROL COVER



Item #	Description	Part #
17	PTO Switch	3605
18	Key Switch	3623
19	Key Switch Nut	9087
	Key Switch Washer (Not Shown)	9088
20	1/4-20 X 1/2 MSC ZP Hex Washer	NB114
21	Throttle Control 35"	3788
	"T" Knob only	4226K
22	Control Cover Instruments (Right Side)	3646TK

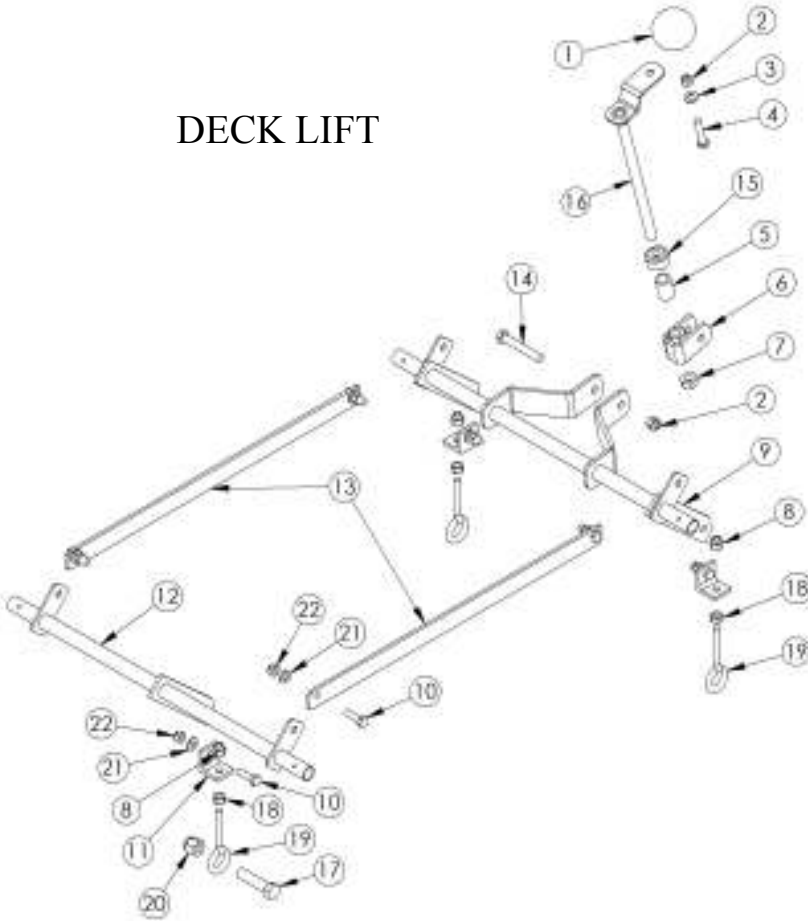
FRAME for 50" Mower



Item #	Description	Part #
1	Beverage Retainer	3643TK
2	Fender-Right	3012TK
	Fender-Left	3011TK
3	Fender Mount	5142TK
4	Battery Box	3696TK
5	5/16-18 X 3/4 Serr Flg Bolt	NB596
6	Transmission Mount	3835TK
7	Upper Motor Base	3777TK
8	5/16-18 Serrated Flange Nut	NB170
9	Rear Cover	3711TK
10	Transmission Fan Cover-Right	3806TK
	Transmission Fan Cover-Left	3712TK
11	Bumper Weldment	3778TK
12	5/16-18 X 1 1/2 Flge Serr. Bolt	NB254
13	5/16-18 X 1 3/4 Flge Serr Bolt	NB515
14	Rear Hanger Bracket	3264TK
15	1/2-13 2-Way Jam Lock Nut	NB121
16	Front Axle-Weldment	3401TK
17	1/2-13 X 2 1/2 HCC GR5 ZP	NB510

Item #	Description	Part #
18	13/16 X 1 1/4 X 1/8 Washer	NB195
19	Caster Fork	665TK
20	5/8 ID X 1 OD 10 GA Washer	NB178
21	5/8-11 X 7 HCC GR5 ZP	NB624
22	Wheel Spacer	3395
23	Front Tire	3010
24	5/8-11 2 Way Lock Jam Nut	NB595
25	Bearing	B98
26	5/16-18 X 2 1/2 HCC GR5 ZP	NB138
27	3/4-16 Jam Nylok Nut	NB122
28	Kick Plate	3396TK
29	Access Plate	3397TK
30	Seat Base Weldment	3719TK
31	Belt Snubber	3819TK
32	5/16-18 X 1/2 Serr. Flg Bolt	NB252
33	1/4-20 Flange Nut	NB524
34	1/4-20 X 3/4 GR5 ZP	NB250
35	Choke Mount	3810TK

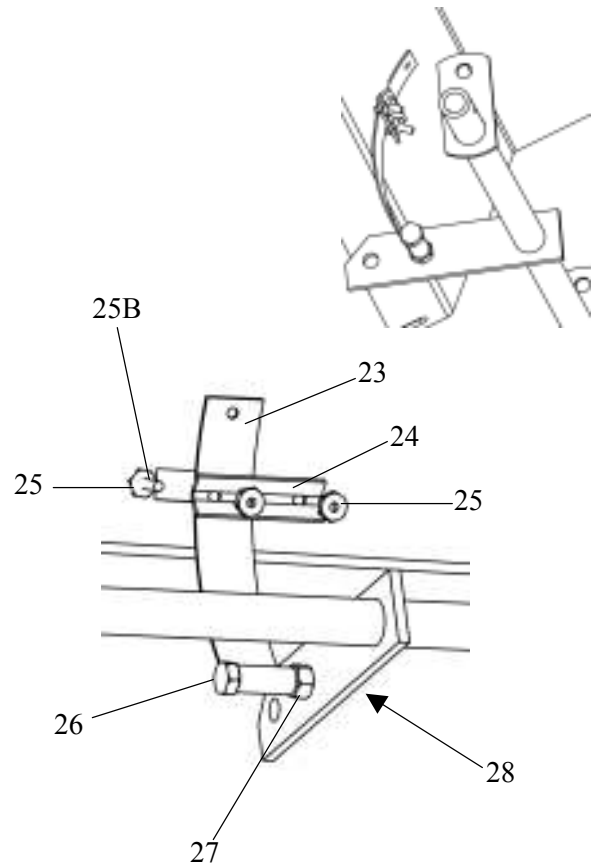
DECK LIFT



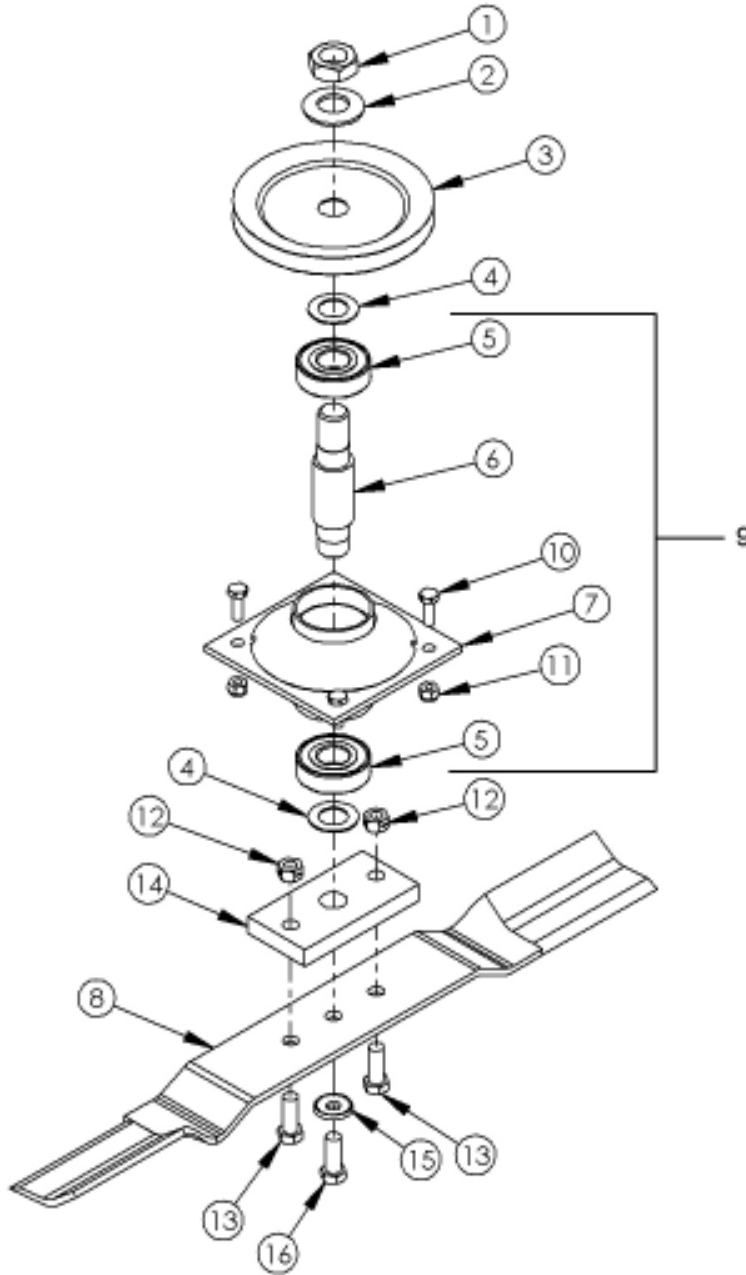
Item #	Description	Part #
1	Plastic Knob - Black	4857
2	3/8-16 2-Way Lock Nut	NB280
3	5/16 USS Flat Washer	NB556
4	3/8-16 X 1 1/4 GR5 ZP	NB618
5	Spacer 3/4 OD X .515 ID DOM X 1.125	3379
6	Rear Height Lifter Texture Black	3705TK
7	1/2-13 Nyloc Nut	NB281
8	3/8-16 Nyloc Nut	NB182
9	Rear Torsion Weldment	3684TK
10	5/16-18 X 1 HCC GR5 ZP	NB501
11	Lift Pivot	3663TK
12	Front Torsion Weldment	3683TK
13	Front - Back Height Link	3260TK
14	3/8-16 X 2 1/2 HTC GR5 ZP	NB619
15	Banded Thrust Bearing	T151
16	Height Adjust Crank	3266TK
17	1/2-13 X 2 HCC GR5 ZP	NB509
18	3/8-16 Jam Nut	NB174
19	3/8-16 X 2 1/4 Eye Bolt ZY	NB204
20	1/2-13 Nyloc Nut	NB281
21	5/16 SAE Washer	NB275
22	5/16-18 Nyloc Nut	NB181

HEIGHT ADJUST INDICATOR

Item #	Description	Part #
23	Height Adjust Indicator	3671TK
	Height Adjust Indicator Decal	OD99151
24	Height Adjust Indicator Bracket	3845TK
25	8-32 Nut	NB201
25B	8-32 Machine Screw	NB689
26	5/16-18 X 2 GR5 Bolt	NB507
27	5/16-18 2 way Lock Nut	NB558
28	5/16-18 Nyloc Nut	NB181



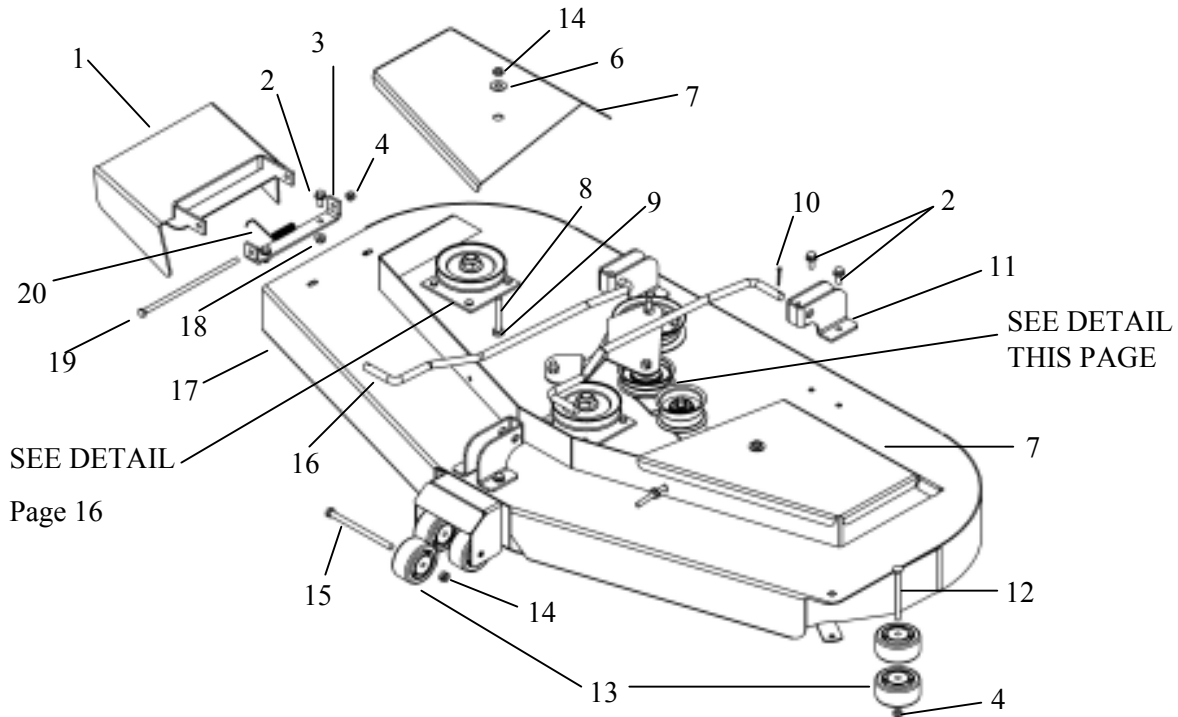
BLADE DRIVER



Item #	Description	Part #
1	3/4-16 2 Way Lock Nut	NB175
2	1.5x.761x.098x.134 Belleville Washer	AS155
3	Blade Pulley 4.5"	B4104TK
4	Washer For Blade Driver	NB179
5	Blade Bearing	B98
6	Blade Shaft 4.25"	9076
7	Bearing Housing	B99ECTK
8	17.5" Blade for 50" Mower	5059
9	Blade Driver Assy	9018

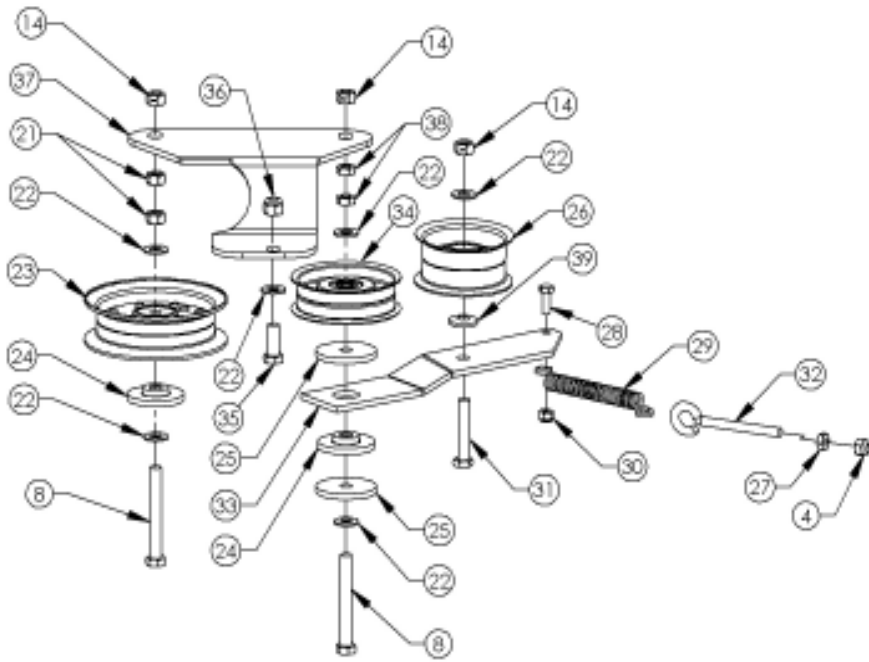
Item #	Description	Part #
10	1/4-20 X 3/4 GR5 ZP	NB250
11	1/4-20 Nylok Nut	NB180
12	3/8-24 Two Way Locknut	NB216
13	3/8-24 X 1 Bolt	NB238
14	Blade Mount Plate	9008
15	SP Washer Bellv. PLN .413 X .945 X .118	NB607
16	3/8-24 X 1 Engine Bolt Locktite	NB238N

50" MOWING DECK

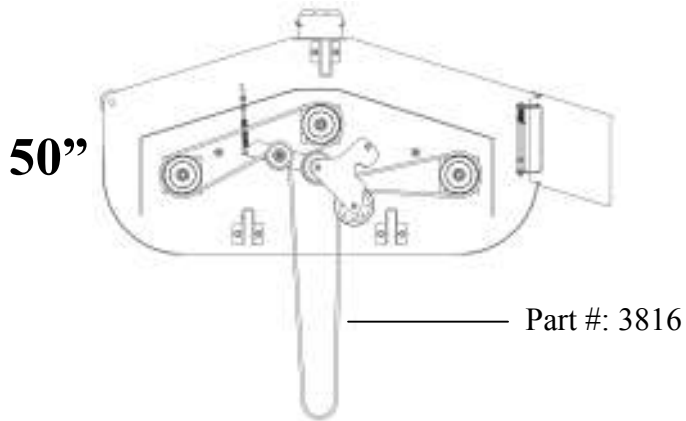


DECK IDLER

Item #	Description	Part #
1	Grass Chute Weldment	3773TK
2	5/16-18 X 3/4 Serr Flg Bolt	NB596
3	Grass Chute Mount	6030TK
4	3/8-16 Nyloc Nut ZY	NB182
5	3/8-16 Nylok Nut Jam	NB207
6	3/8 USS Washer	NB271
7	Belt Cover-Right	3769TK
	Belt Cover-Left	3768TK
8	3/8-16 X 3 HTC GR5 ZP	NB164
9	3/8-16 Kep Nut	NB205
10	1/8 X 1 Cotter Pin	NB126
11	Lift Bracket	3738TK
12	3/8-16 X 4 Carriage Bolt	NB707
13	Anti-Scalp Roller	AS001
14	3/8-16 2-Way Lock Nut	NB280
15	3/8-16 X 5 1/2 GR5 ZP	NB575
16	Sway Bar-Right	3664
	Sway Bar-Left	3665
17	Deck Weldment	3766TK
18	5/16-18 Serrated Flange Nut	NB170
19	5/16-18 X 8 1/2 HCC GR2 ZP	NB136
20	Torsion Spring	9100
21	3/8-16 HNC GR2 ZP	NB212
22	3/8 SAE Washer	NB272
23	Idler Pulley	3786
24	Idler Bushing	6037
25	Idler Spacer	6040
26	Idler Pulley	7509
27	5/16-18 Jam Nut	NB173
28	1/4-20 X 3/4 GR5 ZP	NB250
29	Two Speed Spring	TZ2S
30	1/4-20 Nylok Nut	NB180
31	3/8-16 X 2 HCC GR5 ZP	NB198
32	5/16-18 Eye Bolt	NB315
33	Deck Idler Arm	3770TK
34	Idler Pulley	B527
35	3/8-16 X 1 GR5 ZP Bolt	NB604
36	3/8-16 Nyloc Nut	NB182
37	Pulley Brace	3772TK
38	3/8-16 Jam Nut	NB174
39	Washer Bellv. PLN .413X.945	NB607



BELTS

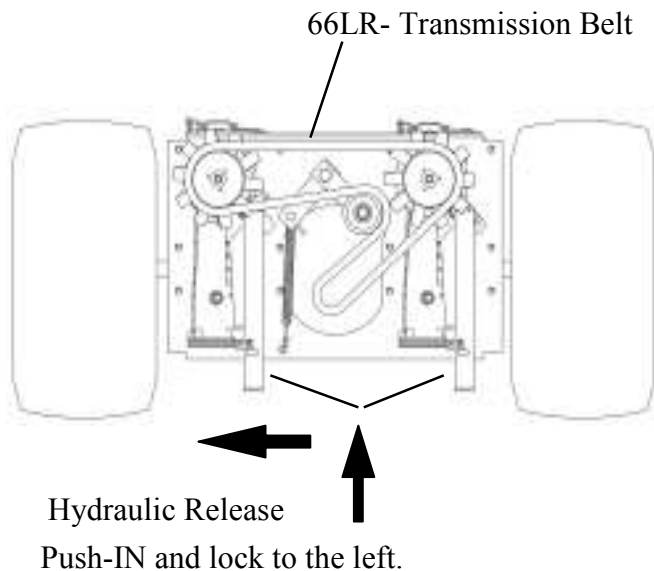


Clutch drive belt replacement

1. Remove belt covers.
2. Disconnect tension idler from tension bracket.
3. Remove belt from mower pulley and electric clutch.
4. Install new belt onto electric clutch and mower pulley and check for proper routing and clearance.
5. Reconnect idler tension bolt to tension bracket.

Hydrostats belt replacement

1. Remove clutch drive belt. *See clutch belt replacement.*
2. Disconnect wiring from electric clutch.
3. Disconnect idler spring from tension bracket.
4. Remove bolt and washer from bottom of electric clutch and slide clutch from engine crankshaft, set aside.
5. Remove belt from transaxles and engine pulley.
6. Install new belt. Check for proper routing and clearance.
7. Reinstall electric clutch carefully aligning keyed portion of clutch and keyway in crankshaft. Reinstall bolt and washer. Washer is "cupped" be sure to place "cupped" side of washer towards the clutch body.
8. Reconnect tension idler to tension bracket.
9. Reconnect wiring harness to electric clutch.
10. Reinstall clutch drive belt. *See clutch drive belt replacement.*



WIRING DIAGRAM

50" Mower

ZT2350

